

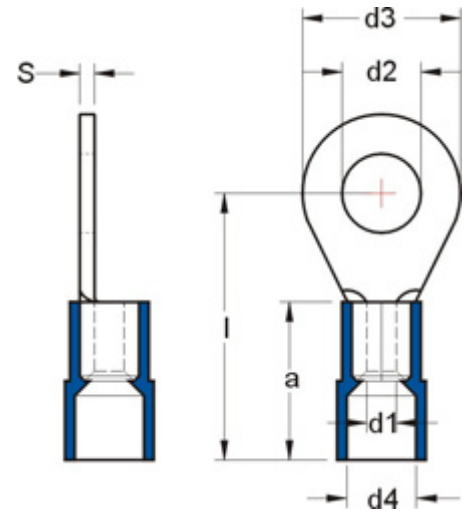


## DIN TERMINALS

### NYLON-INSULATED TERMINALS (NY SERIES)

DIN 46237

## NYLON-INSULATED RING TERMINALS



WIRE RANGE A.W.G. mm <sup>2</sup>	ITEM NO.		STUD SIZE		DIMENSION (mm)		Q'TY BOX
	BRAZED SEAM	BUTTED SEAM		d2	d3		
26-22 A.W.G. 0.2-0.5 mm <sup>2</sup>	DRNYB2-0.5	DRNY2-0.5	#2	2.2	5.000	1000	
	DRNYB2.5-0.5	DRNY2.5-0.5	#3	2.7	5.000	1000	
	DRNYB3-0.5	DRNY3-0.5	#4	3.2	5.000	1000	
	DRNYB3.5-0.5	DRNY3.5-0.5	#6	3.7	6.000	1000	
	DRNYB4-0.5	DRNY4-0.5	#8	4.3	6.500	1000	
22-16 A.W.G. 0.5-1.5 mm <sup>2</sup>	DRNYB5-0.5	DRNY5-0.5	#10	5.3	8.000	1000	
	DRNYB2-1	DRNY2-1	#2	2.2	6.000	1000	
	DRNYB2.5-1	DRNY2.5-1	#3	2.7	6.000	1000	
	DRNYB3-1	DRNY3-1	#4	3.2	6.000	1000	
	DRNYB3.5-1	DRNY3.5-1	#6	3.7	6.000	1000	
16-14 A.W.G. 1.5-2.5 mm <sup>2</sup>	DRNYBS4-1	DRNYS4-1	#8	4.3	7.000	1000	
	DRNYB4-1	DRNY4-1	#8	4.3	8.000	1000	
	DRNYBS5-1	DRNYS5-1	#10	5.3	8.000	1000	
	DRNYB5-1	DRNY5-1	#10	5.3	10.000	1000	
	DRNYB6-1	DRNY6-1	1/4	6.5	10.000	1000	
16-14 A.W.G. 1.5-2.5 mm <sup>2</sup>	DRNYBL6-1	DRNYL6-1	1/4	6.5	11.000	1000	
	DRNYB8-1	DRNY8-1	5/16	8.4	14.000	1000	
	DRNYB10-1	DRNY10-1	3/8	10.5	14.000	1000	
	DRNYBL10-1	DRNYL10-1	3/8	10.5	18.000	1000	
	DRNYB3-2.5	DRNY3-2.5	#4	3.2	6.000	1000	
	DRNYB3.5-2.5	DRNY3.5-2.5	#6	3.7	6.000	1000	
	DRNYBS4-2.5	DRNYS4-2.5	#8	4.3	6.800	1000	
	DRNYB4-2.5	DRNY4-2.5	#8	4.3	8.000	1000	
	DRNYBS5-2.5	DRNYS5-2.5	#10	5.3	8.000	1000	
	DRNYB5-2.5	DRNY5-2.5	#10	5.3	10.000	1000	
16-14 A.W.G. 1.5-2.5 mm <sup>2</sup>	DRNYB6-2.5	DRNY6-2.5	1/4	6.5	11.000	1000	
	DRNYB8-2.5	DRNY8-2.5	5/16	8.4	14.000	1000	

	DRNYB10-2.5	DRNY10-2.5	3/8	10.5	15.000	1000
	DRNYBL10-2.5	DRNYL10-2.5	3/8	10.5	18.000	1000
	DRNYB12-2.5	DRNY12-2.5	1/2	13	18.000	1000
	DRNYB4-6	DRNY4-6	#8	4.3	8.000	500
12-10	DRNYB5-6	DRNY5-6	#10	5.3	10.000	500
A.W.G.	DRNYB6-6	DRNY6-6	1/4	6.5	11.000	500
2.5-6	DRNYB8-6	DRNY8-6	5/16	8.4	14.000	500
mm <sup>2</sup>	DRNYB10-6	DRNY10-6	3/8	10.5	18.000	500
	DRNYB12-6	DRNY12-6	1/2	13	18.000	500
8	DRNYB5-10		#10	5.3	10.000	500
A.W.G.	DRNYB6-10		1/4	6.5	11.000	500
	DRNYB8-10		5/16	8.4	14.000	500
10	DRNYB10-10		3/8	10.5	18.000	500
mm <sup>2</sup>	DRNYB12-10		1/2	13	22.000	500
6	DRNYB5-16		#10	5.3	11.000	250
A.W.G.	DRNYB6-16		1/4	6.5	11.000	250
	DRNYB8-16		5/16	8.4	14.000	250
16	DRNYB10-16		3/8	10.5	18.000	250
mm <sup>2</sup>	DRNYB12-16		1/2	13	22.000	250
	DRNYB5-25		#10	5.3	12.000	100
4	DRNYB6-25		1/4	6.5	12.000	100
A.W.G.	DRNYB8-25		5/16	8.4	16.000	100
25	DRNYB10-25		3/8	10.5	18.000	100
mm <sup>2</sup>	DRNYB12-25		1/2	13	22.000	100
	DRNYB16-25		5/8	17	28.000	100
2	DRNYB6-35		1/4	6.5	15.000	100
A.W.G.	DRNYB8-35		5/16	8.4	16.000	100
	DRNYB10-35		3/8	10.5	18.000	100
35	DRNYB12-35		1/2	13	22.000	100
mm <sup>2</sup>	DRNYB16-35		5/8	17	28.000	100
1/0	DRNYB6-50		1/4	6.5	18.000	50
A.W.G.	DRNYB8-50		5/16	8.4	18.000	50
	DRNYB10-50		3/8	10.5	18.000	50
50	DRNYB12-50		1/2	13	22.000	50
mm <sup>2</sup>	DRNYB16-50		5/8	17	28.000	50
2/0	DRNYB6-70		1/4	6.5	22.000	50
A.W.G.	DRNYB8-70		5/16	8.4	22.000	50
	DRNYB10-70		3/8	10.5	22.000	50
70	DRNYB12-70		1/2	13	22.000	50
mm <sup>2</sup>	DRNYB16-70		5/8	17	28.000	50
3/0	DRNYB8-95		5/16	8.4	24.000	50
A.W.G.	DRNYB10-95		3/8	10.5	24.000	50
95	DRNYB12-95		1/2	13	24.000	25
mm <sup>2</sup>	DRNYB16-95		5/8	17	28.000	25
4/0	DRNYB8-120		5/16	8.4	24.000	50

A.W.G.	DRNYB10-120	3/8	10.5	24.000	25
	DRNYB12-120	1/2	13	24.000	25
120 mm <sup>2</sup>	DRNYB16-120	5/8	17	28.000	25
250/300 A.W.G.	DRNYB10-150	3/8	10.5	30.000	25
	DRNYB12-150	1/2	13	30.000	25
150 mm <sup>2</sup>	DRNYB16-150	5/8	17	30.000	25