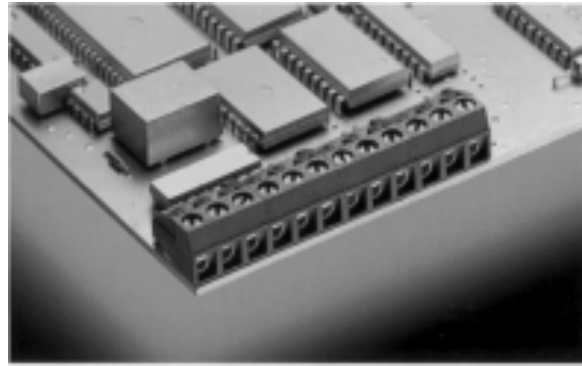
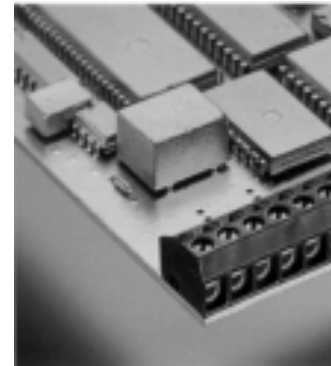


# ED130/XDS

# ED130/XDSBL EDZ130/XDSB



2-12 poles, Spacing 5.0 mm  
insert required no. of poles  $\times$   
How to order see page 5



2-16 poles

\*factory wiring



### Ratings:

Rated Voltage	300 V	250 V
Rated Current	10 A*	10 A (T55)
Wire Size	AWG 22-14	1.5 mm <sup>2</sup>
Rating Impulse Voltage/Dirt Level		4 kV/3
Rated Torque/ScrewSize		0.4 Nm/M2.6

### Max. Rated Cross Section

Single Wire (solid)	1.5 mm <sup>2</sup>
Stranded Wire (flexible)	1.0 mm <sup>2</sup>
Stranded wire with Ferrules	1.0 mm <sup>2</sup>

### Dimensions

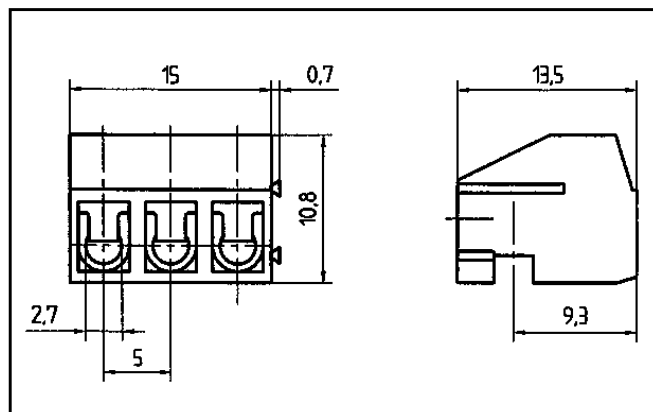
Spacing	5.0 mm
Stripped Length	6.0 mm

### Materials

Insulating Material	PA
Flammability Class	UL94 V-0
Temperature Range	-30°C/+105°C
Terminal Block	CuZn
Contact	CuBe

### Color

Blue



### Ratings:

Rated Voltage	
Rated Current	
Wire Size	
Rating Impulse Voltage/Dirt Level	
Rated Torque/ScrewSize	

### Max. Rated Cross Section

Single Wire (solid)	
Stranded Wire (flexible)	
Stranded wire with Ferrules	

### Dimensions

Spacing	
Stripped Length	

### Materials

Insulating Material	
Flammability Class	
Temperature Range	
Terminal Block	
Contact	

### Color

Grey

