

# ELM SERIES PART NUMBERING SCHEME

REV	ECN	APPD
A	3891	JEC 12/22/99
B	5742	RN 12/28/05

ELM

NUMBER OF POSITIONS  
(ASSEMBLIES COMPRISED OF TWO  
AND/OR THREE POS MODULES)

STYLE  
1=HORIZONTAL WIRE ENTRY  
3=ANGLED WIRE ENTRY  
9=VERTICAL WIRE ENTRY

CENTERLINE SPACING

1 = .197" (5MM)  
2 = .200"  
3 = .394" (10MM) W/ PLUG INSERT, CONTACT LEADING  
4 = .400" W/ PLUG INSERT, CONTACT LEADING  
5 = .394" (10MM) W/ PLUG INSERT, PLUG LEADING  
6 = .400" W/ PLUG INSERT, PLUG LEADING

OPTIONS  
00=BLACK (STANDARD)  
0G=GREEN

CONSULT PCD FOR PART NO. AND  
AVAILABILITY OF FOLLOWING OPTIONS:  
- CUSTOM COLORS  
- CUSTOM MARKING  
- LOCK-DOWN EARS



**RATINGS**

CURRENT - 10A  
VOLTAGE - 300V, 600V\*  
U.L. FILE NO. E83421



**RATINGS**

CURRENT - 10A  
VOLTAGE - 300V, 600V\*  
CSA FILE NO. LR69703

DIN VDE 0627:1986  
DIN VDE 0110-1:1989  
EN 60947-1:1991  
EN 60947-7-1:1992

CURRENT - N/A  
VOLTAGE - N/A  
TUV FILE NO. N/A

\* PENDING  
CL SPACING CODE:  
3, 4, 5, 6

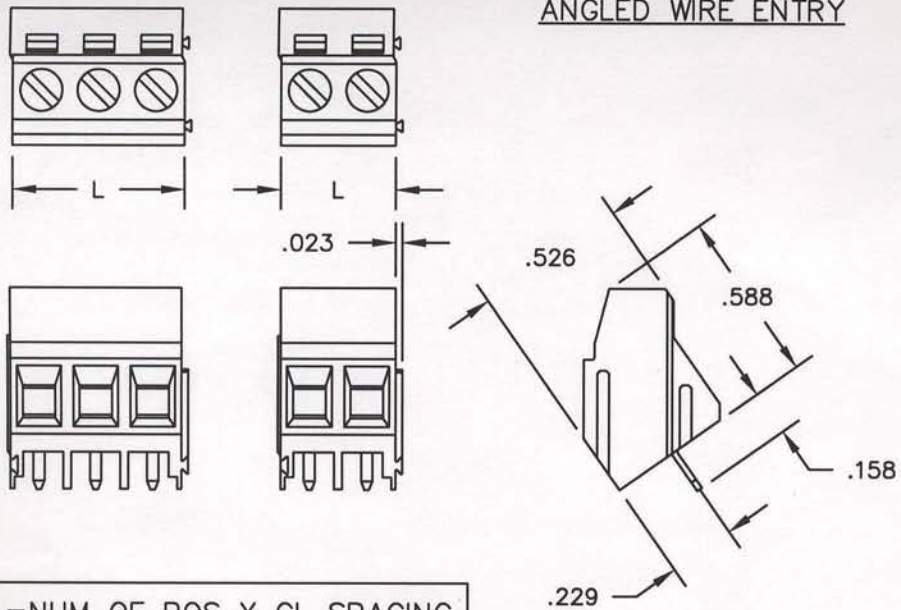
INSTALLATION  
RECOMMENDATIONS:  
WIRE RANGE: AWG #12-28  
WIRE STRIP LENGTH: .250"  
TIGHTENING TORQUE: 7 LB-IN.

MATERIALS:  
HOUSING: PBT, UL 94 V-0  
CONTACT: BRASS, TIN FINISH  
SCREW: COPPER ALLOY, NICKEL FINISH  
WIRE CLAMP: COPPER ALLOY, NICKEL FINISH

MAX OPERATING TEMPERATURE:  
105°C

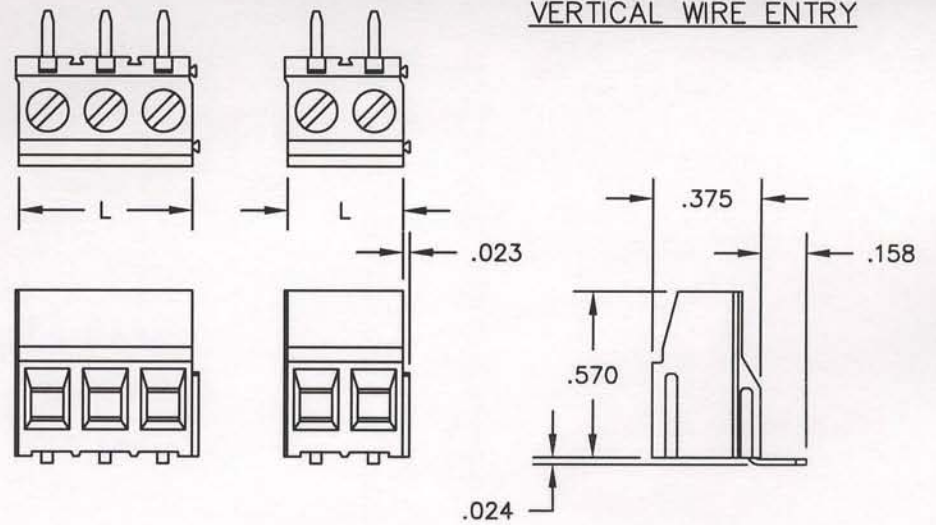
DIMENSIONS ANSI Y14.5M UNITS: INCHES ACAD FILE	TOLERANCES .XX ±.01 .XXX ±.005 ANGLES ±2°	PROJECTION 	<b>Amphenol Pcd</b> SPECIFICATION DRAWING		TITLE  ELM SERIES TERMINAL BLOCK BOARD MOUNT		
			ENGR J. WILKINSON 12/22/99				
ORIGINAL STAMPED IN RED	THIS DOCUMENT CONTAINS PROPRIETARY INFORMATION WHICH IS THE CONFIDENTIAL PROPERTY OF AMPHENOL PCD INC. PEABODY, MA		CHKD A. PATRIE 12/8/98		SIZE A	DWG NO. ELM021100	REV B
			APPD J. CAHALY 12-11-98		CODE: 58982	SCALE: NONE	SHEET 1 OF 3

ANGLED WIRE ENTRY



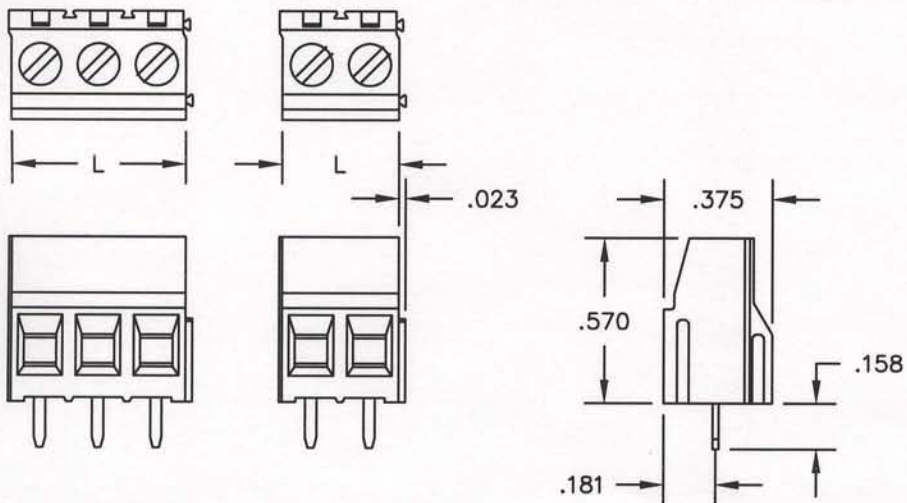
L=NUM OF POS X CL SPACING

VERTICAL WIRE ENTRY



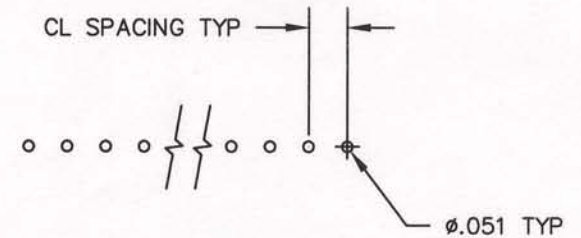
L=NUM OF POS X CL SPACING

HORIZONTAL WIRE ENTRY



L=NUM OF POS X CL SPACING

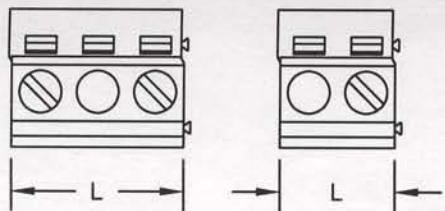
PRINTED CIRCUIT BOARD CONFIGURATION



RECOMMENDED PCB THICKNESS: .062±.008

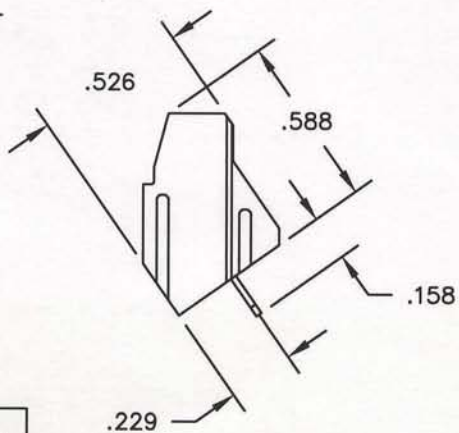
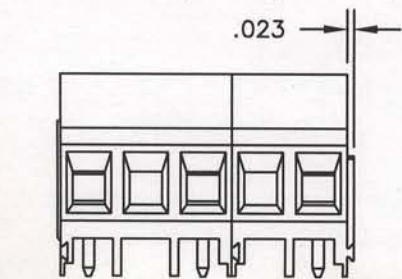
SIZE	DWG NO.	REV
A	ELM021100	B
CODE: 58982	SCALE: NONE	SHEET 2 OF 3



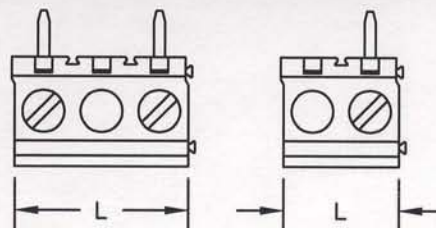


ANGLED WIRE ENTRY

.400" / 10MM CL

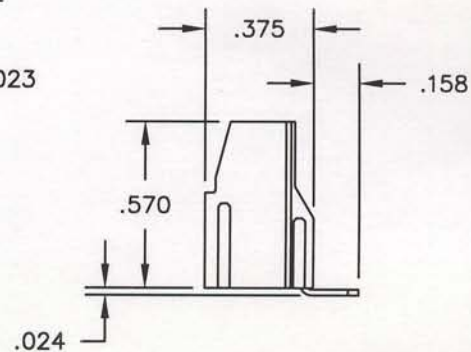
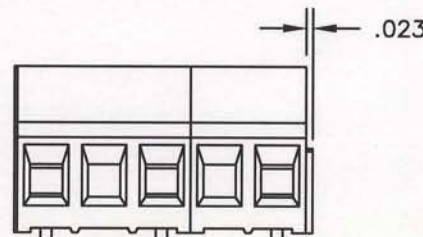


$L = \text{NUM OF POS} \times \text{CL} - \text{CL}/2$

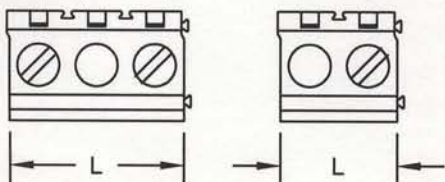


VERTICAL WIRE ENTRY

.400" / 10MM CL

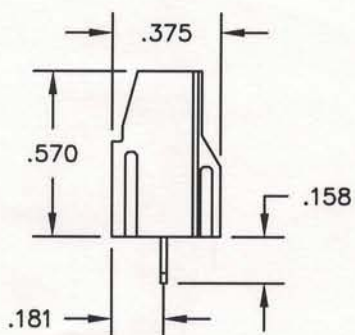
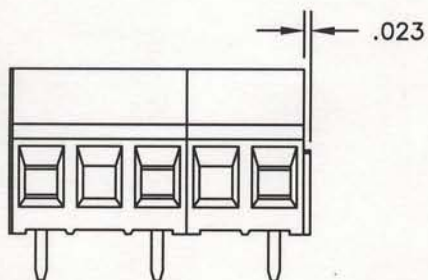


$L = \text{NUM OF POS} \times \text{CL} - \text{CL}/2$



HORIZONTAL WIRE ENTRY

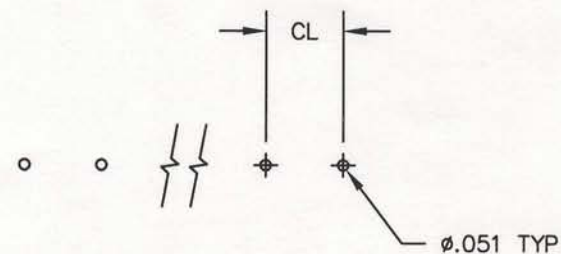
.400" / 10MM CL



$L = \text{NUM OF POS} \times \text{CL} - \text{CL}/2$

PRINTED CIRCUIT BOARD CONFIGURATION

.400" / 10MM CL



RECOMMENDED PCB THICKNESS: .062±.008

SIZE

DWG NO.

REV

A

ELM021100

B

CODE: 58982

SCALE: NONE

SHEET 3 OF 3