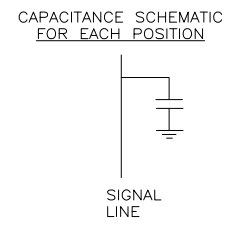
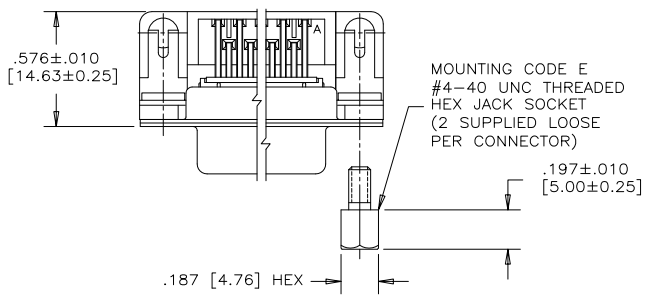


REVISIONS			
REV	ECN, ERN NO.	DATE	APPRD.
G	PRODUCT DRAWING (EAR 14498)	NOV9/16	K.L.



ORDERING CODE: F C E 1 7 - E 0 9 S B - 4 E 0 G

SERIES
FCE17=FILTERED D=SUB, RoHS

SIZE/NUMBER OF CONTACTS
E09, A15, B25, OR C37

CONNECTOR STYLE
P=PIN
S=SOCKET

TERMINATION TYPE
B=.405" [10.29] FOOTPRINT

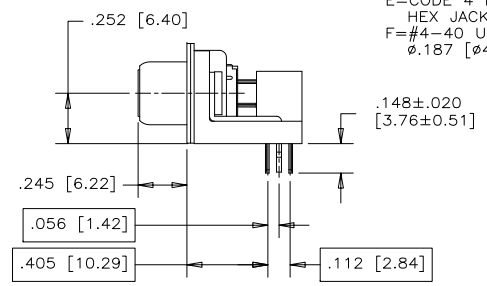
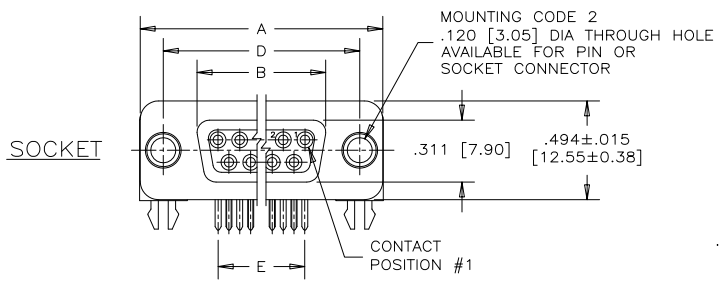
MOUNTING
2=.120 [3.05] DIA THROUGH HOLE
3=#4-40 UNC SELF-LOCKING THREAD
4=#4-40 UNC THREAD
6=M3 x 0.5 THREAD
E=CODE 4 MOUNTING WITH #4-40 UNC HEX JACK SOCKET SUPPLIED.
F=#4-40 UNC THREAD IN ϕ .187 [4.75] FIXED JACK SOCKET

CONTACT FINISH/GOLD THICKNESS
NO DIGIT=STANDARD 15 MICROINCHES [0.38 MICRONS] GOLD ON MATING AREA
G=50 MICROINCHES [1.27 MICRONS] GOLD ON MATING AREA

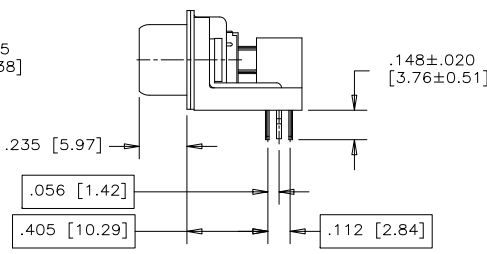
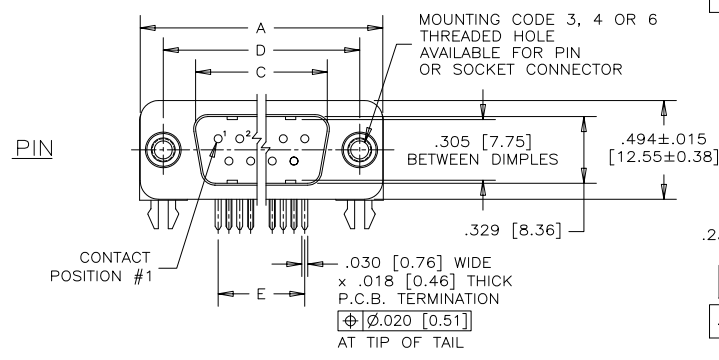
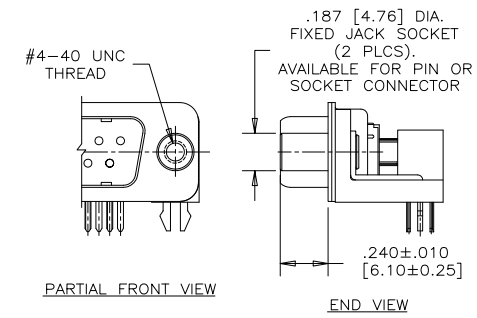
MODIFIER
0=STANDARD

FILTER CAPACITANCE
D=50 pF 5=1000 pF
B=100 pF 7=1200 pF
O=180 pF 6=1300 pF
F=330 pF J=1500 pF
L=380 pF E=2200 pF
1=470 pF 9=5600 pF
4=820 pF 8=47000 pF
N=NO FILTERS

REFER TO AMPHENOL CATALOGUE FOR FILTER PERFORMANCE CHARACTERISTICS



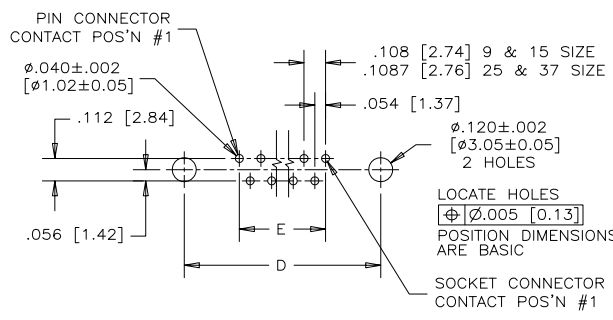
CODE "F" MOUNTING OPTION



SIZE	STYLE	A±.015 [0.38]	B±.005 [0.13]	C±.005 [0.13]	D±.005 [0.13]	E BSC.
E09	PIN	1.213 [30.81]	-----	.666 [16.92]	.984 [24.99]	.432 [10.97]
	SOCKET	-----	.643 [16.33]	-----	-----	-----
A15	PIN	1.541 [39.14]	-----	.994 [25.25]	1.312 [33.32]	.756 [19.20]
	SOCKET	-----	.971 [24.66]	-----	-----	-----
B25	PIN	2.088 [53.04]	-----	1.534 [38.96]	1.852 [47.04]	1.304 [33.12]
	SOCKET	-----	1.511 [38.38]	-----	-----	-----
C37	PIN	2.729 [69.32]	-----	2.182 [55.42]	2.500 [63.50]	1.956 [49.68]
	SOCKET	-----	2.159 [54.84]	-----	-----	-----

NOTES:

- MATERIALS: ALL MATERIALS ARE RoHS COMPLIANT.
 - SHELL: STEEL, TIN PLATED
 - CONTACTS: PHOSPHOR BRONZE, GOLD PLATED OVER 50µ" [1.27 MICRONS] NICKEL IN THE MATING AREA AND 100µ" [2.54 MICRONS] MIN. MATTE TIN ON THE TAILS.
 - INSULATOR: ENGINEERING THERMOPLASTIC, GLASS REINFORCED, UL FLAMMABILITY RATING 94V-0, COLOUR: BLACK
 - BOARDLOCK: COPPER ALLOY, TIN PLATED
 - MOUNTING HARDWARE, STEEL OR COPPER ALLOY, TIN OR NICKEL PLATED.
- CONTACT RESISTANCE: 15 MILLIOHMS MAXIMUM
- INSULATION RESISTANCE: 3000 MEGOHMS MINIMUM
- CURRENT RATING: 5 AMPS MAXIMUM
- OPERATING TEMPERATURE: -40°C TO 85°C
- TOLERANCE ±.005 [0.13] UNLESS INDICATED OTHERWISE.



RECOMMENDED P.C.B. LAYOUT (COMPONENT SIDE OF BOARD)

THIS DOCUMENT CONTAINS PROPRIETARY INFORMATION AND SUCH INFORMATION MAY NOT BE DISCLOSED TO OTHERS FOR ANY PURPOSE OR USED FOR MANUFACTURING PURPOSES WITHOUT WRITTEN PERMISSION FROM AMPHENOL CANADA CORP.

DRAWN S.BUENAVIDES	DATE DEC19/05
DESIGNED	
CHECKED K.LAMBIE	DEC20/05
I. E. APPRD.	
Q. A. APPRD.	
DWG. APPRD.	
ENG. REL. NO.	
REF. EAR 12892	
DIMENSIONS ARE IN INCHES [mm]	CODE ID. NO. 03554

Amphenol Canada Corp.

FCE17 SERIES FILTERED D-SUB CONNECTOR, PIN & SOCKET, RIGHT ANGLE .405 [10.29] F/P, PLASTIC BRACKET & BOARDLOCK, RoHS COMPLIANT

DWG C	DRAWING NO. P-FCE17-XXXXB-XXOX	REV. G
SCALE 2/1	WT. -----	SURF. -----
SHEET 1 of 1		

Mouser Electronics

Authorized Distributor

Click to View Pricing, Inventory, Delivery & Lifecycle Information:

Amphenol:

[FCE17-A15PB-440](#) [FCE17-E09SB-440](#) [FCE17-A15SB-440](#) [FCE17-E09PB-440](#) [FCE17-A15SB-410](#)
[FCE17B25SB4EB](#) [FCE17B25PB65B](#) [FCE17B25SB44B](#) [FCE17B25PB6DB](#) [FCE17B25SB24B](#) [FCE17B25SB41B](#)
[FCE17A15PB41B](#) [FCE17C37PB4E0](#) [FCE17B25SB600](#) [FCE17E09SB610](#) [FCE17E09SB25B](#) [FCE17E09PB2EB](#)
[FCE17C37PB25B](#) [FCE17A15PB48B](#) [FCE17C37SB610](#) [FCE17C37PB610](#) [FCE17E09PB61B](#) [FCE17B25SB65B](#)
[FCE17C37SB400](#) [FCE17A15SB69B](#) [FCE17B25SB290](#) [FCE17E09SB4D0](#) [FCE17A15PB6DB](#) [FCE17C37PB400](#)
[FCE17B25PB2E0](#) [FCE17C37SB6EB](#) [FCE17E09PB20B](#) [FCE17E09PB600](#) [FCE17E09PB490](#) [FCE17E09SB69B](#)
[FCE17C37PB450](#) [FCE17A15PB25B](#) [FCE17A15PB410](#) [FCE17C37SB290](#) [FCE17C37SB6DB](#) [FCE17A15PB610](#)
[FCE17E09PB4EB](#) [FCE17E09SB20B](#) [FCE17C37SB65B](#) [FCE17C37PB200](#) [FCE17A15SB49B](#) [FCE17A15PB64B](#)
[FCE17A15PB290](#) [FCE17E09PB41B](#) [FCE17C37SB200](#) [FCE17A15PB680](#) [FCE17B25PB44B](#) [FCE17B25PB61B](#)
[FCE17B25PB41B](#) [FCE17E09SB41B](#) [FCE17C37SB450](#) [FCE17C37SB680](#) [FCE17E09SB2EB](#) [FCE17E09SB2D0](#)
[FCE17E09PB410](#) [FCE17C37PB45B](#) [FCE17B25PB610](#) [FCE17A15PB4EB](#) [FCE17E09PB65B](#) [FCE17E09SB2E0](#)
[FCE17B25SB60B](#) [FCE17E09SB4DB](#) [FCE17C37SB640](#) [FCE17A15SB4D0](#) [FCE17A15SB2E0](#) [FCE17B25SB2E0](#)
[FCE17E09SB61B](#) [FCE17C37PB6DB](#) [FCE17B25SB29B](#) [FCE17E09PB49B](#) [FCE17C37SB4D0](#) [FCE17C37SB49B](#)
[FCE17A15PB40B](#) [FCE17A15PB650](#) [FCE17E09SB640](#) [FCE17C37PB480](#) [FCE17C37PB210](#) [FCE17C37PB290](#)
[FCE17E09SB450](#) [FCE17B25PB25B](#) [FCE17C37SB690](#) [FCE17C37SB440](#) [FCE17B25SB40B](#) [FCE17C37SB41B](#)
[FCE17B25PB200](#) [FCE17A15PB65B](#) [FCE17C37PB40B](#) [FCE17B25SB2D0](#) [FCE17A15SB610](#) [FCE17A15PB6EB](#)
[FCE17C37PB65B](#) [FCE17C37PB4EB](#) [FCE17A15SB25B](#) [FCE17B25SB410](#) [FCE17A15PB60B](#)