

# Customer Information Sheet

DRAWING No.: G125-MHXXX05LIX

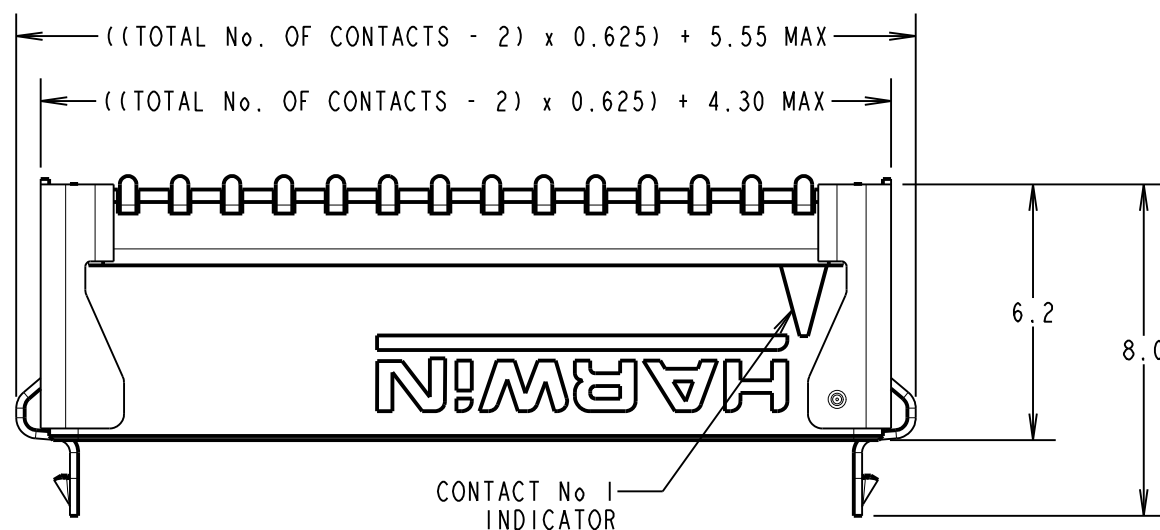
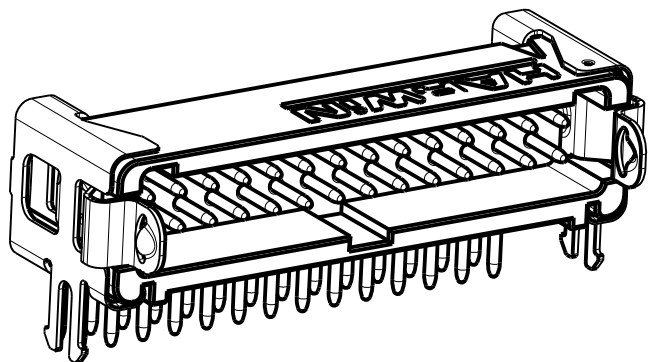
IF IN DOUBT - ASK

©

NOT TO SCALE

THIRD ANGLE PROJECTION

ALL DIMENSIONS IN mm



ORDER CODE: **G125-MHXXX05LIX**

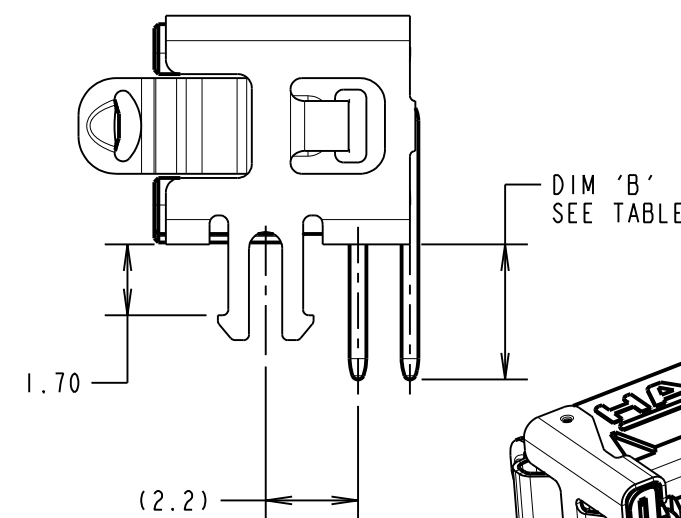
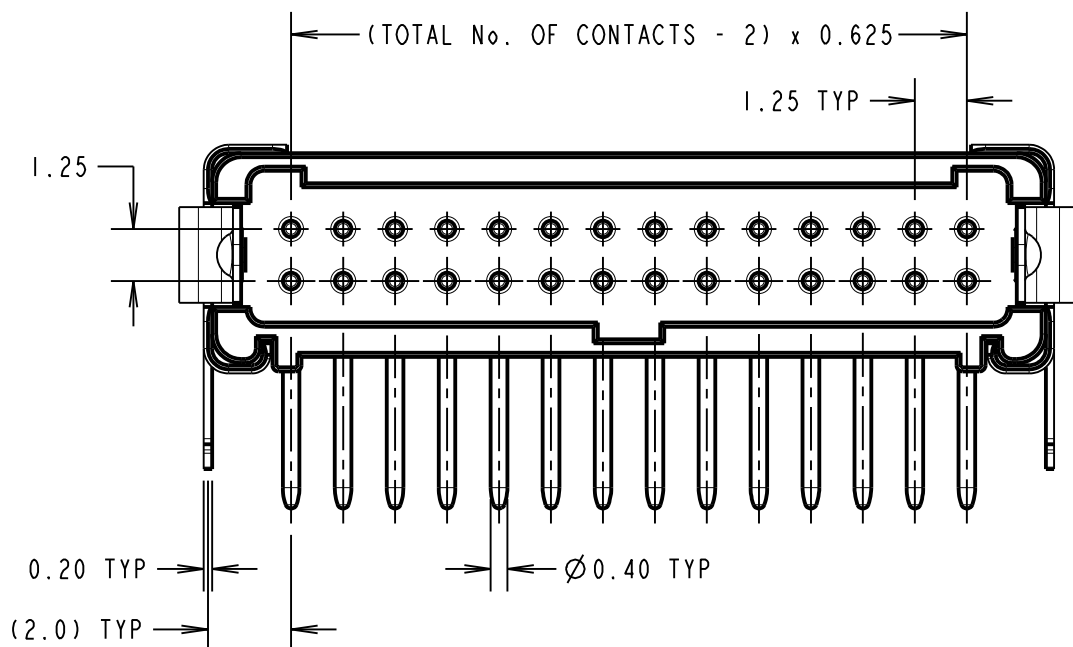
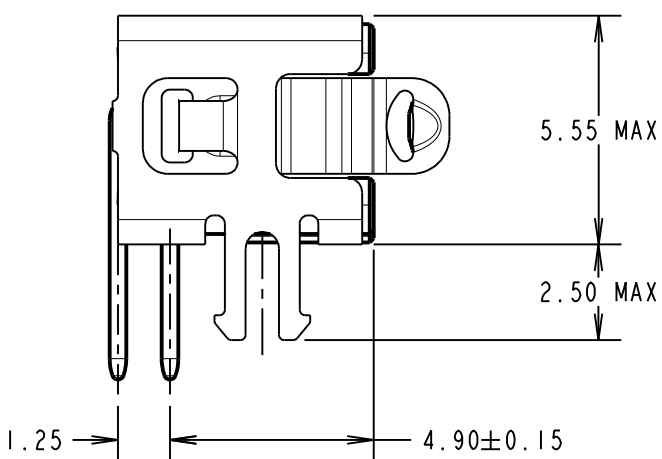
CONTACT STYLE: \_\_\_\_\_  
 3.3mm PC-TAIL = H1  
 4.8mm PC-TAIL = H2

TOTAL No. OF CONTACTS: \_\_\_\_\_  
 06, 10, 12, 16, 20, 26, 34, 50

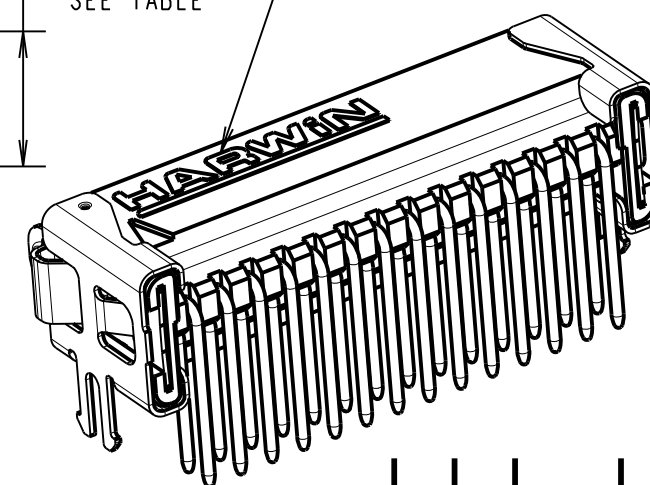
LATCHES: \_\_\_\_\_  
 1.7mm BOARD MOUNT & LATCHES = L1

PACK TYPE: \_\_\_\_\_  
 R = 250 PCS IN TAPE AND REEL  
 P = EACH (CUT TAPE LENGTHS)

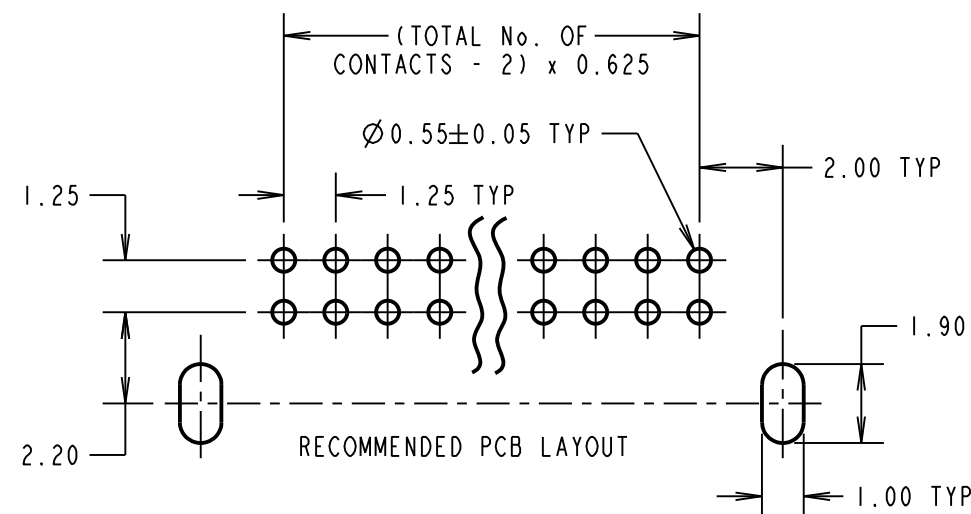
| CONTACT STYLE | DIM 'B'  |
|---------------|----------|
| H1            | 3.3±0.15 |
| H2            | 4.8±0.15 |



FULL LOGO ONLY  
 ON 20 TO 50 WAY.  
 'H' ON 6 & 10 WAY.  
 'HWN' ON 12 & 16 WAY.



CONNECTOR DETAILS AND PCB LAYOUT ONLY  
 SEE SHEET 3 FOR TAPE AND REEL DETAILS



NOTES:

- FOR COMPLETE SPECIFICATION, SEE COMPONENT SPECIFICATION C125XX (LATEST ISSUE). SEE G125-SERIES CONNECTORS SPECIFICATION SHEET FOR MATERIALS, FINISH AND SPECIFICATION SUMMARY.
- SEE SHEET 3 FOR TAPE & REEL DETAILS OF THIS PRODUCT.

|                       |      |          |        |
|-----------------------|------|----------|--------|
| MGP                   | 1    | 17.02.17 | 20385  |
| NAME                  | ISS. | DATE     | C/NOTE |
| APPROVED: MGP         |      |          |        |
| CHECKED: MSP          |      |          |        |
| DRAWN: MARK G PLESTED |      |          |        |
| CUSTOMER REF.:        |      |          |        |
| ASSEMBLY DRG:         |      |          |        |

**HARWIN**

www.harwin.com  
 technical@harwin.com

THIS DRAWING AND ANY INFORMATION OR DESCRIPTIVE MATTER SET OUT HEREON ARE CONFIDENTIAL AND COPYRIGHT PROPERTY OF THE HARWIN GROUP AND MUST NOT BE DISCLOSED, LOANED, COPIED OR USED FOR MANUFACTURING, TENDERING OR FOR ANY OTHER PURPOSE WITHOUT THEIR WRITTEN PERMISSION.

TOLERANCES  
 X. = ±1mm  
 X.X = ±0.50mm  
 X.XX = ±0.10mm  
 X.XXX = ±0.01mm  
 ANGLES = ±5°  
 UNLESS STATED

MATERIAL: SEE NOTE 1  
 FINISH: SEE NOTE 1  
 S/AREA: mm<sup>2</sup>

TITLE:  
 G125 MALE HORIZONTAL PC TAIL  
 SERIES IN TAPE & REEL  
 DRAWING NUMBER:  
**G125-MHXXX05LIX**  
 SHT 2 OF 3

# Customer Information Sheet

DRAWING No.: G125-MHXXX05LIX

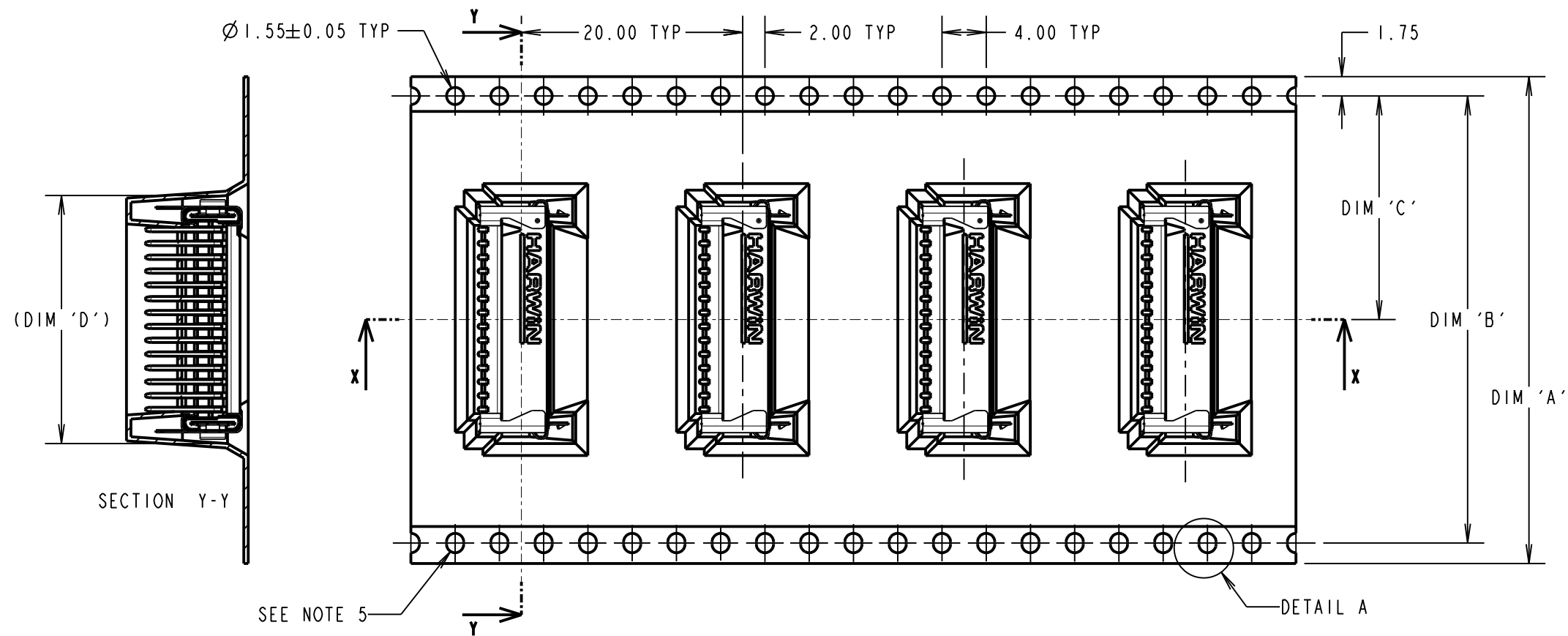
IF IN DOUBT - ASK

©

NOT TO SCALE

THIRD ANGLE PROJECTION

ALL DIMENSIONS IN mm



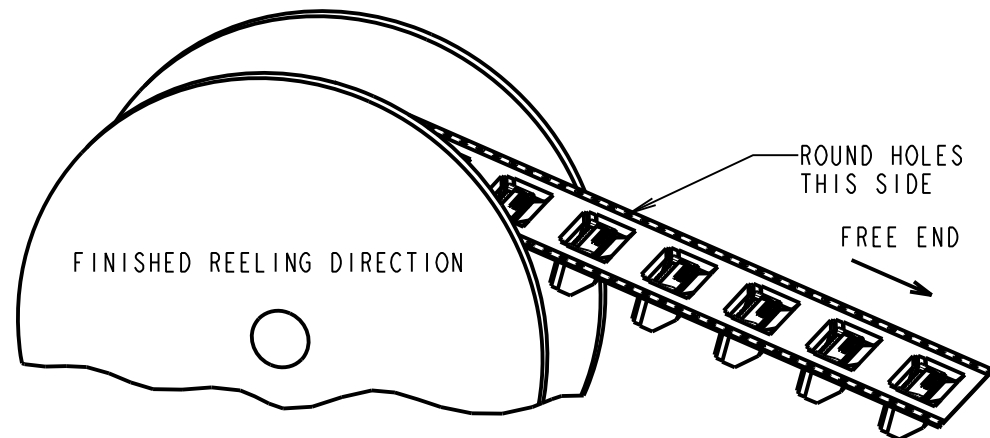
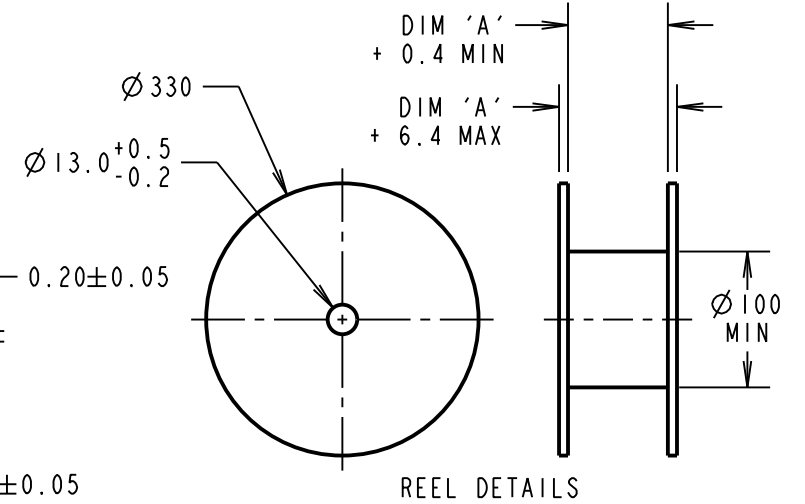
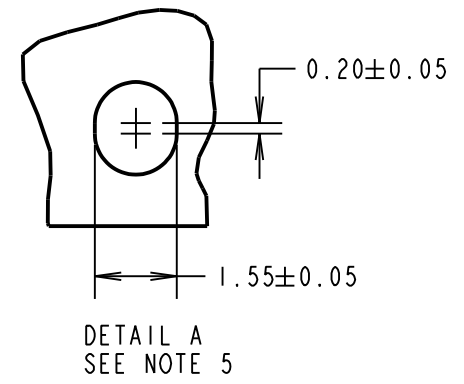
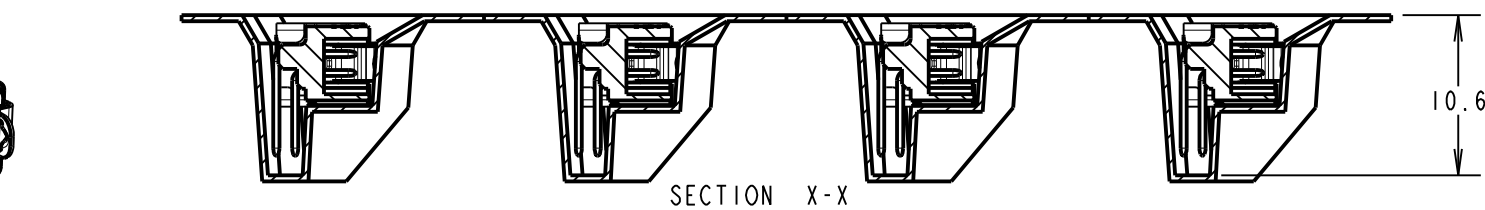
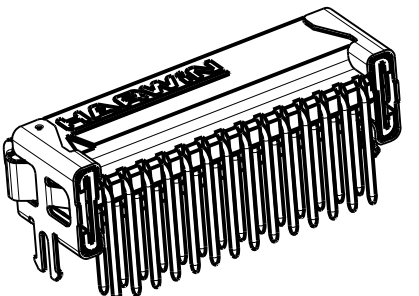
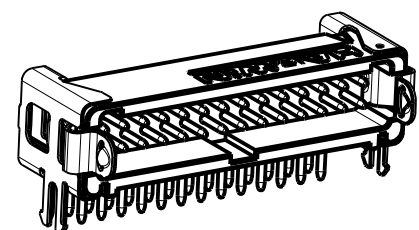
ORDER CODE: **G125-MHXXX05LIX**

CONTACT STYLE: \_\_\_\_\_  
 3.3mm PC-TAIL = H1  
 4.8mm PC-TAIL = H2

TOTAL No. OF CONTACTS: \_\_\_\_\_  
 06, 10, 12, 16, 20, 26, 34, 50

LATCHES: \_\_\_\_\_  
 1.7mm BOARD MOUNT & LATCHES = LI

PACK TYPE: \_\_\_\_\_  
 R = 250 PCS IN TAPE AND REEL  
 P = EACH (CUT TAPE LENGTHS)



| REELED PART No. | LOOSE PART No.  | DIM 'A'           | DIM 'B'                 | DIM 'C'   | DIM 'D'     |
|-----------------|-----------------|-------------------|-------------------------|-----------|-------------|
| G125-MHX0605LIR | G125-MHX0605LIP | 24.0<br>+0.3/-0.1 | NO<br>ELONGATED<br>HOLE | 11.50     | 8.5<br>11.0 |
| G125-MHX1005LIR | G125-MHX1005LIP | 32.0±0.3          | 28.40                   | 14.20     | 12.2        |
| G125-MHX1205LIR | G125-MHX1205LIP |                   |                         |           | 14.7        |
| G125-MHX1605LIR | G125-MHX1605LIP | 44.0±0.3          | 40.40                   | 20.2±0.15 | 17.2        |
| G125-MHX2005LIR | G125-MHX2005LIP |                   |                         |           | 21.0        |
| G125-MHX2605LIR | G125-MHX2605LIP | 56.0±0.3          | 52.40                   | 26.2±0.15 | 26.0        |
| G125-MHX3405LIR | G125-MHX3405LIP |                   |                         |           | 36.0        |
| G125-MHX5005LIR | G125-MHX5005LIP |                   |                         |           |             |

|                       |      |          |        |
|-----------------------|------|----------|--------|
| MGP                   | 1    | 17.02.17 | 20385  |
| NAME                  | ISS. | DATE     | C/NOTE |
| APPROVED: MGP         |      |          |        |
| CHECKED: MSP          |      |          |        |
| DRAWN: MARK G PLESTED |      |          |        |
| CUSTOMER REF.:        |      |          |        |
| ASSEMBLY DRG:         |      |          |        |

- NOTES:
- FOR "R" VARIANT, QUANTITY OF COMPONENTS PER REEL = 250.
  - FOR "P" VARIANT, QUANTITY IS CUT FROM G125-MHXXX05LIR.
  - THIS PRODUCT IS TAPED AND REELED IN GENERAL ACCORDANCE WITH EIA-481-2-A (ELECTRONIC INDUSTRIES ASSOCIATION).
  - FOR COMPLETE SPECIFICATION, SEE COMPONENT SPECIFICATION C125XX (LATEST ISSUE).
  - ELONGATED SPROCKET HOLE NOT PRESENT ON 06 & 10 POSITIONS.
  - SEE SHEET 2 FOR CONNECTOR DETAILS.

**HARWIN**

www.harwin.com  
 technical@harwin.com

THIS DRAWING AND ANY INFORMATION OR DESCRIPTIVE MATTER SET OUT HEREON ARE CONFIDENTIAL AND COPYRIGHT PROPERTY OF THE HARWIN GROUP AND MUST NOT BE DISCLOSED, LOANED, COPIED OR USED FOR MANUFACTURING, TENDERING OR FOR ANY OTHER PURPOSE WITHOUT THEIR WRITTEN PERMISSION.

TOLERANCES  
 X. = ±1mm  
 X.X = ±0.50mm  
 X.XX = ±0.10mm  
 X.XXX = ±0.01mm  
 ANGLES = ±5°  
 UNLESS STATED

MATERIAL:  
 SEE SHEET 2  
 FINISH: SEE SHEET 2  
 S/AREA: mm<sup>2</sup>

TITLE:  
 G125 MALE HORIZONTAL PC TAIL  
 SERIES IN TAPE & REEL  
 DRAWING NUMBER:  
**G125-MHXXX05LIX**  
 SHT 3 OF 3

# Customer Information Sheet

DRAWING No.: G125-SERIES COMPONENT SPECIFICATION    IF IN DOUBT - ASK    (C)    NOT TO SCALE    THIRD ANGLE PROJECTION    ALL DIMENSIONS IN mm

**SPECIFICATIONS:**

- \* EIA-364-01A : 2000: ACCELERATION: 490 mm/s<sup>2</sup> (50G)
- \* BUMP SEVERITY: 390 mm/s<sup>2</sup> (40G), 4000± 10 BUMPS
- \* TESTED WITH LATCHED CONNECTORS

**MATERIALS:**

MOULDING, PICK & PLACE CAP:  
POLYAMIDE, PA4T-GF30 FR(40) UL94V-0,  
HALOGEN FREE, FREE OF RED PHOSPHORUS

**CONTACTS:**

MALE PC-TAIL/SMT = PHOSPHOR BRONZE  
MALE CRIMP = BRASS  
ALL FEMALE CONTACTS = COPPER ALLOY

**LATCHES:**

COPPER NICKEL TIN ALLOY

**BACK POTTING COMPOUND (CABLE ASSEMBLIES ONLY):**

STYCAST 2651 MM BACK POTTING WITH CATALYST 9

**FINISH:**

ALL CONTACTS:  
0.2-0.3µ GOLD OVER NICKEL  
LATCHES:  
3.0µ 100% TIN OVER NICKEL

**MECHANICAL:**

DURABILITY = 1000 OPERATIONS  
INSERTION FORCE = 2.8N MAX  
WITHDRAWAL FORCE = 0.2N MIN

**ENVIRONMENTAL:**

CLASSIFICATION: 65/150/56 DAYS AT 93% RH

**TEMPERATURE RANGE:**

EIA-364-32 : 2000 TEST CONDITION IV, DWELL  
30mins, 5 CYCLES -65°C TO +150°C

\* EIA-364-28D : 1999: TEST CONDITION IV: VIBRATION SEVERITY:  
10Hz TO 2000Hz, 1.5MM, 198 mm/s<sup>2</sup> (20G). DURATION 2Hr

\* EIA-364-27B : 1996: TEST CONDITION E SHOCK SEVERITY: 981 mm/s<sup>2</sup>  
(100G) FOR 6ms IN Z AXIS, 490 mm/s<sup>2</sup> (50G) FOR 11ms IN X&Y AXIS.

**ELECTRICAL:**

**CURRENT RATING:**

EIA-364-70A : 1998: INDIVIDUAL CONTACT IN ISOLATION AT 25°C = 2.8A MAX  
EIA-364-70A : 1998: ALL CONTACTS SIMULTANEOUSLY AT 25°C = 2.0A MAX

**CONTACT RESISTANCE:**

EIA-364-06C : 2006: INITIAL CONTACT RESISTANCE = 20mΩ MAX  
EIA-364-06C : 2006: CONTACT RESISTANCE AFTER CONDITIONING = 25mΩ MAX

**WORKING VOLTAGE:**

EIA-364-20C : 2004: SEA LEVEL (1006mbar) = 450V AC/DC PEAK  
EIA-364-20C : 2004: ALTITUDE LEVEL (44mbar) = 250V AC/DC PEAK

VOLTAGE PROOF AT SEA LEVEL (1013mbar) = 600V AC/DC PEAK

**INSULATION RESISTANCE:**

EIA-364-21C : 2000: INSULATION RESISTANCE (INITIAL) = 10 GΩ MIN AT 500V DC  
EIA-364-21C : 2000: INSULATION RESISTANCE (AFTER CONDITIONING) = >1 GΩ MIN AT 500V DC

FOR FULL COMPONENT SPECIFICATION SEE C125XX (LATEST ISSUE).



PATENT PENDING - UK 1205109.0

|           |           |        |
|-----------|-----------|--------|
| SF        | 21.11.13  | 12281  |
| NAME      | DATE      | C/NOTE |
| APPROVED: | S.FLOWER  |        |
| CHECKED:  | S.BENNETT |        |
| DRAWN:    | S.FLOWER  |        |

**HARWIN**

www.harwin.com  
technical@harwin.com

THIS DRAWING AND ANY INFORMATION OR DESCRIPTIVE MATTER SET OUT HEREON ARE CONFIDENTIAL AND COPYRIGHT PROPERTY OF THE HARWIN GROUP AND MUST NOT BE DISCLOSED, LOANED, COPIED OR USED FOR MANUFACTURING, TENDERING OR FOR ANY OTHER PURPOSE WITHOUT THEIR WRITTEN PERMISSION.

**TOLERANCES**  
X = ±1mm  
X.X = ±0.25mm  
X.XX = ±0.10mm  
X.XXX = ±0.01mm  
ANGLES = ±5°  
UNLESS STATED

**MATERIAL:**

SEE ABOVE

**FINISH:**

SEE ABOVE

**TITLE:**

G125 SERIES COMPONENT SPECIFICATION

**DRAWING NUMBER:**

G125-SERIES CONNECTORS

SHT  
4 OF 4

# Mouser Electronics

Authorized Distributor

Click to View Pricing, Inventory, Delivery & Lifecycle Information:

[Harwin:](#)

[G125-MH11005L1P](#) [G125-MH13405L1P](#) [G125-MH12605L1P](#) [G125-MH11205L1P](#) [G125-MH12005L1P](#) [G125-MH15005L1P](#) [G125-MH11605L1P](#) [G125-MH10605L1P](#) [G125-MH13405L1R](#) [G125-MH11005L1R](#) [G125-MH12605L1R](#) [G125-MH11205L1R](#) [G125-MH10605L1R](#) [G125-MH15005L1R](#) [G125-MH11605L1R](#) [G125-MH12005L1R](#)