


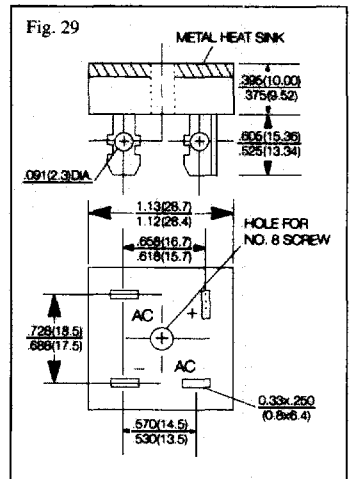
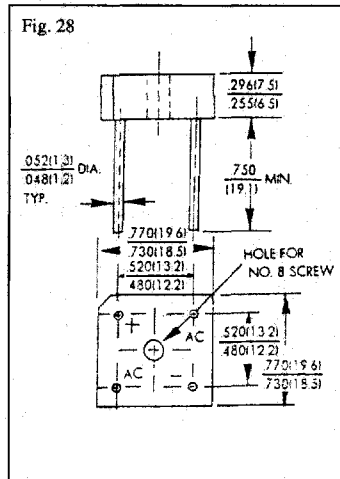
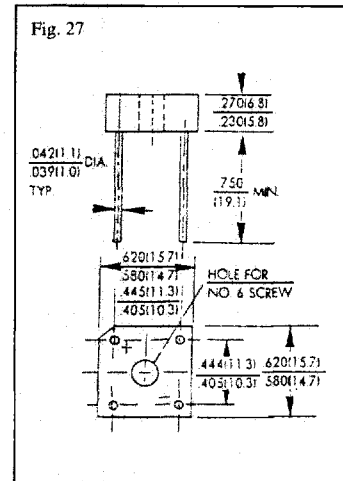
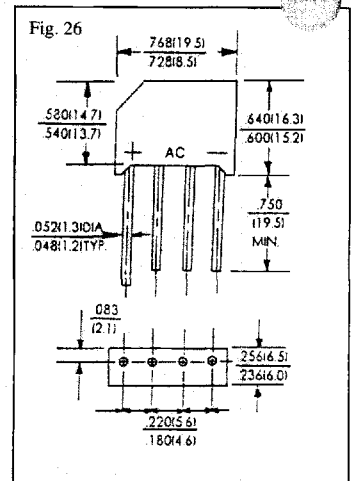
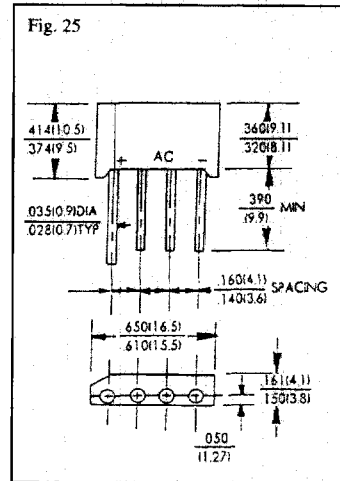
Single-Phase Full Wave Glass Passivated Bridge Rectifiers

HVCA BRAND

2.0 Amperes through 35.0 Amperes. For P.C. Board and Chassis Mounting.

 This mark indicates recognition under the component program of Underwriters Laboratories, Inc.

HVCA Number	Maximum Peak Reverse Voltage PRV VPK	Max. Average Rectified Current @ Half-Wave Resistive Load 60Hz		Max. Forward Peak Surge Current @ 8.3ms Superimposed I _{FM} (Surge) Apk	Max. Reverse Current @ 25°C T _A I _R μAdc	Max. Forward Voltage @ 25°C T _A	
		I _{AV} A _{AV}	I _o °C			I _{FM} V _{PK}	V _{FM} V _{PK}
2.0 AMPERE BRIDGE (FIG. 25)							
			T _A				
KBPC05G	50	2.0	75	75	5.0	1.0	1.0
KBPC10G	100	2.0	75	75	5.0	1.0	1.0
KBPC20G	200	2.0	75	75	5.0	1.0	1.0
KBPC40G	400	2.0	75	75	5.0	1.0	1.0
KBPC60G	600	2.0	75	75	5.0	1.0	1.0
KBPC80G	800	2.0	75	75	5.0	1.0	1.0
KBPC10G	1000	2.0	75	75	5.0	1.0	1.0
KBPC12G	1200	2.0	75	75	5.0	1.0	1.0
4.0 AMPERE BRIDGE (FIG. 26)							
			T _A				
KBL005G	50	4.0	75	200	5.0	3.0	1.0
KBL01G	100	4.0	75	200	5.0	3.0	1.0
KBL02G	200	4.0	75	200	5.0	3.0	1.0
KBL04G	400	4.0	75	200	5.0	3.0	1.0
KBL06G	600	4.0	75	200	5.0	3.0	1.0
KBL08G	800	4.0	75	200	5.0	3.0	1.0
KBL10G	1000	4.0	75	200	5.0	3.0	1.0
KBL12G	1200	4.0	75	200	5.0	3.0	1.0
6.0 AMPERE BRIDGE (FIG. 27)							
			T _C				
KBPC6005G	50	6.0	75	200	5.0	3.0	1.1
KBPC601G	100	6.0	75	200	5.0	3.0	1.1
KBPC602G	200	6.0	75	200	5.0	3.0	1.1
KBPC604G	400	6.0	75	200	5.0	3.0	1.1
KBPC606G	600	6.0	75	200	5.0	3.0	1.1
KBPC608G	800	6.0	75	200	5.0	3.0	1.1
KBPC610G	1000	6.0	75	200	5.0	3.0	1.1
8.0 AMPERE BRIDGE (FIG. 28)							
			T _C				
KBPC8005G	50	8.0	75	200	5.0	4.0	1.1
KBPC801G	100	8.0	75	200	5.0	4.0	1.1
KBPC802G	200	8.0	75	200	5.0	4.0	1.1
KBPC804G	400	8.0	75	200	5.0	4.0	1.1
KBPC806G	600	8.0	75	200	5.0	4.0	1.1
KBPC808G	800	8.0	75	200	5.0	4.0	1.1
KBPC810G	1000	8.0	75	200	5.0	4.0	1.1
10.0 AMPERE BRIDGE (FIG. 28)							
			T _C				
KBPC1005G	50	10.0	75	200	5.0	5.0	1.2
KBPC1001G	100	10.0	75	200	5.0	5.0	1.2
KBPC1002G	200	10.0	75	200	5.0	5.0	1.2
KBPC1004G	400	10.0	75	200	5.0	5.0	1.2
KBPC1006G	600	10.0	75	200	5.0	5.0	1.2
KBPC1008G	800	10.0	75	200	5.0	5.0	1.2
KBPC1010G	1000	10.0	75	200	5.0	5.0	1.2
15.0 AMPERE BRIDGE (FIG. 29)							
			T _C				METAL CASE AVAILABLE
GBPC15005G	50	15.0	75	300	10	7.5	1.1
GBPC1501G	100	15.0	75	300	10	7.5	1.1
GBPC1502G	200	15.0	75	300	10	7.5	1.1
GBPC1504G	400	15.0	75	300	10	7.5	1.1
GBPC1506G	600	15.0	75	300	10	7.5	1.1
GBPC1508G	800	15.0	75	300	10	7.5	1.1
GBPC1510G	1000	15.0	75	300	10	7.5	1.1
GBPC1512G	1200	15.0	75	300	10	7.5	1.1
25.0 AMPERE BRIDGE (FIG. 29)							
			T _C				METAL CASE AVAILABLE
GBPC25005G	50	25.0	75	300	10	12.5	1.1
GBPC2501G	100	25.0	75	300	10	12.5	1.1
GBPC2502G	200	25.0	75	300	10	12.5	1.1
GBPC2504G	400	25.0	75	300	10	12.5	1.1
GBPC2506G	600	25.0	75	300	10	12.5	1.1
GBPC2508G	800	25.0	75	300	10	12.5	1.1
GBPC2510G	1000	25.0	75	300	10	12.5	1.1
GBPC2512G	1200	25.0	75	300	10	12.5	1.1
35.0 AMPERE BRIDGE (FIG. 29)							
			T _C				METAL CASE AVAILABLE
GBPC35005G	50	35.0	75	400	10	17.5	1.2
GBPC3501G	100	35.0	75	400	10	17.5	1.2
GBPC3502G	200	35.0	75	400	10	17.5	1.2
GBPC3504G	400	35.0	75	400	10	17.5	1.2
GBPC3506G	600	35.0	75	400	10	17.5	1.2
GBPC3508G	800	35.0	75	400	10	17.5	1.2
GBPC3510G	1000	35.0	75	400	10	17.5	1.2
GBPC3512G	1200	35.0	75	400	10	17.5	1.2



- Notes:**
- Corrosion resistant terminals designed with .250 female quick connectors for wrap around or snap on.
 - A thin film of silicone thermal compound is recommended between the bridge case and mounting surface for improved thermal conduction.
 - Higher dielectric strengths available. Consult factory.
 - Dielectric test voltage 2500 volts rms, max. 50 to 60 Hz.
 - Other terminal configurations available. Consult factory.
 - Higher currents available as well as three phase bridges.