

## GSS4953BDY

P-CHANNEL ENHANCEMENT MODE POWER MOSFET

BVDSS	-30V
RDS(ON)	42mΩ
ID	-5A

### Description

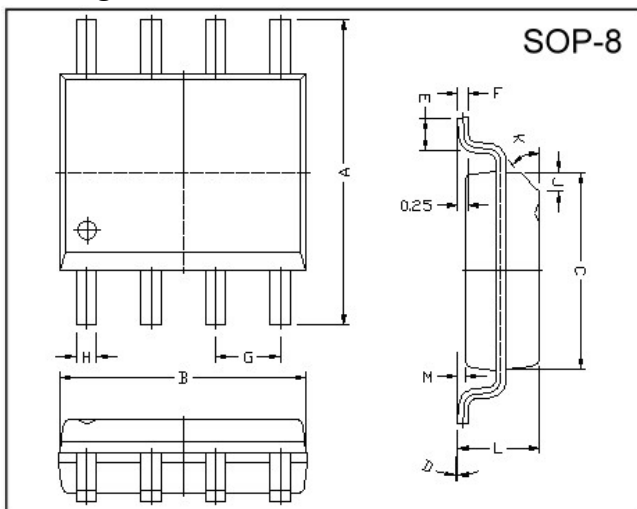
The GSS4953BDY provide the designer with the best combination of fast switching, ruggedized device design, low on-resistance and cost-effectiveness.

The SOP-8 package is universally preferred for all commercial-industrial surface mount applications and suited for low voltage applications such as DC/DC converters.

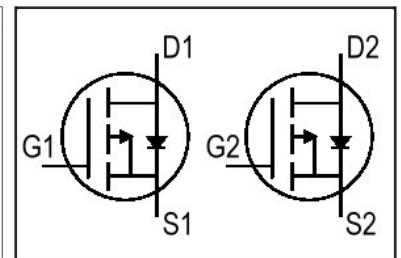
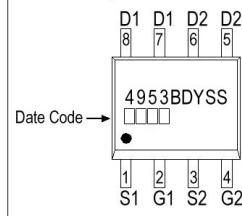
### Features

- \*Simple Drive Requirement
- \*Lower On-resistance
- \*Fast Switching

### Package Dimensions



### Marking :



REF.	Millimeter		REF.	Millimeter	
	Min.	Max.		Min.	Max.
A	5.80	6.20	M	0.10	0.25
B	4.80	5.00	H	0.35	0.49
C	3.80	4.00	L	1.35	1.75
D	0°	8°	J	0.375 REF.	
E	0.40	0.90	K	45°	
F	0.19	0.25	G	1.27 TYP.	

### Absolute Maximum Ratings

Parameter	Symbol	Ratings	Unit
Drain-Source Voltage	$V_{DS}$	-30	V
Gate-Source Voltage	$V_{GS}$	±20	V
Continuous Drain Current <sup>1</sup>	$I_D @TA=25^{\circ}C$	-5	A
Continuous Drain Current <sup>1</sup>	$I_D @TA=70^{\circ}C$	-4	A
Pulsed Drain Current <sup>2</sup>	$I_{DM}$	-20	A
Total Power Dissipation <sup>1</sup>	$P_D @TA=25^{\circ}C$	2	W
Linear Derating Factor		0.02	W/°C
Operating Junction and Storage Temperature Range	$T_j, T_{stg}$	-55 ~ +150	°C

### Thermal Data

Parameter	Symbol	Value	Unit
Thermal Resistance Junction-ambient <sup>1</sup> Max.	$R_{thj-amb}$	62.5	°C/W

**Electrical Characteristics (T<sub>j</sub> = 25°C unless otherwise specified)**

Parameter	Symbol	Min.	Typ.	Max.	Unit	Test Conditions
Drain-Source Breakdown Voltage	BV <sub>DSS</sub>	-30	-	-	V	V <sub>GS</sub> =0, I <sub>D</sub> =-250uA
Gate Threshold Voltage	V <sub>GS(th)</sub>	-1.0	-	-2.5	V	V <sub>DS</sub> =V <sub>GS</sub> , I <sub>D</sub> =-250uA
Forward Transconductance <sup>2</sup>	g <sub>fs</sub>	-	5	-	S	V <sub>DS</sub> =-5V, I <sub>D</sub> =-5A
Gate-Source Leakage Current	I <sub>GSS</sub>	-	-	±100	nA	V <sub>GS</sub> = ±20V
Drain-Source Leakage Current	I <sub>DSS</sub>	-	-	-1	uA	V <sub>DS</sub> =-24V, V <sub>GS</sub> =0
Static Drain-Source On-Resistance <sup>2</sup>	R <sub>DS(ON)</sub>	-	-	42	mΩ	V <sub>GS</sub> =-10V, I <sub>D</sub> =-5A
		-	-	70		V <sub>GS</sub> =-4.5V, I <sub>D</sub> =-4A
Total Gate Charge <sup>2</sup>	Q <sub>g</sub>	-	11.7	-	nC	I <sub>D</sub> =-5A V <sub>DS</sub> =-15V V <sub>GS</sub> =-10V
Gate-Source Charge	Q <sub>gs</sub>	-	2.1	-		
Gate-Drain ("Miller") Change	Q <sub>gd</sub>	-	2.9	-		
Turn-on Delay Time <sup>2</sup>	T <sub>d(on)</sub>	-	9	-	ns	V <sub>DS</sub> =-15V I <sub>D</sub> =-1A V <sub>GS</sub> =-10V R <sub>G</sub> =6Ω R <sub>D</sub> =15Ω
Rise Time	T <sub>r</sub>	-	10	-		
Turn-off Delay Time	T <sub>d(off)</sub>	-	37	-		
Fall Time	T <sub>f</sub>	-	23	-		
Input Capacitance	C <sub>iss</sub>	-	582	-	pF	V <sub>GS</sub> =0V V <sub>DS</sub> =-15V f=1.0MHz
Output Capacitance	C <sub>oss</sub>	-	125	-		
Reverse Transfer Capacitance	C <sub>rss</sub>	-	86	-		

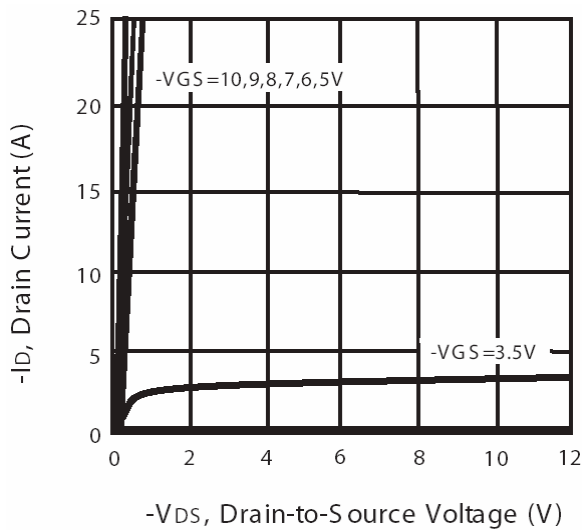
**Source-Drain Diode**

Parameter	Symbol	Min.	Typ.	Max.	Unit	Test Conditions
Forward On Voltage <sup>2</sup>	V <sub>SD</sub>	-	-0.84	-1.2	V	I <sub>S</sub> =-1.7A, V <sub>GS</sub> =0V

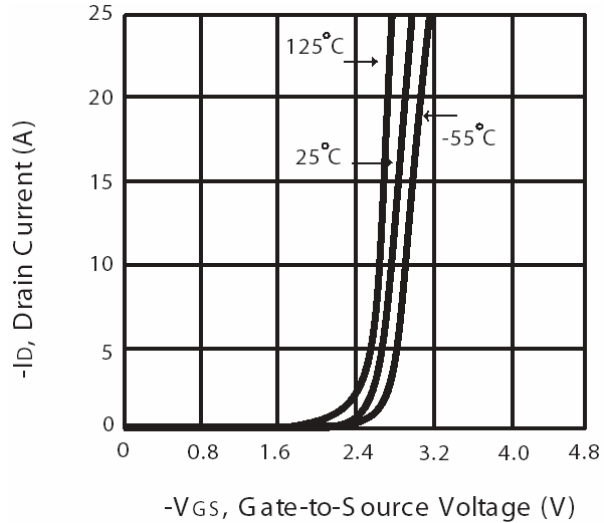
Notes: 1. Surface Mounted on FR4 Board, t ≤ 10sec.

2. Pulse width ≤ 300us, duty cycle ≤ 2%.

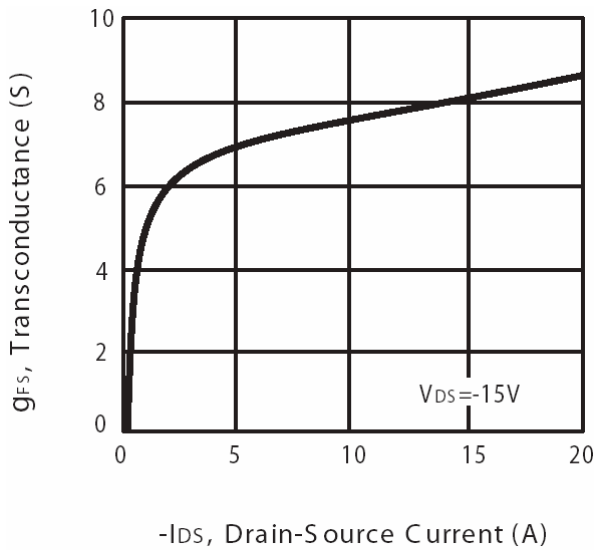
**Characteristics Curve**



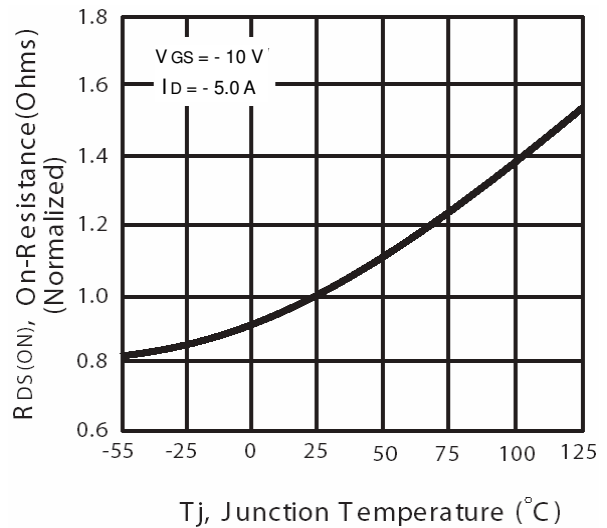
**Fig 1. Typical Output Characteristics**



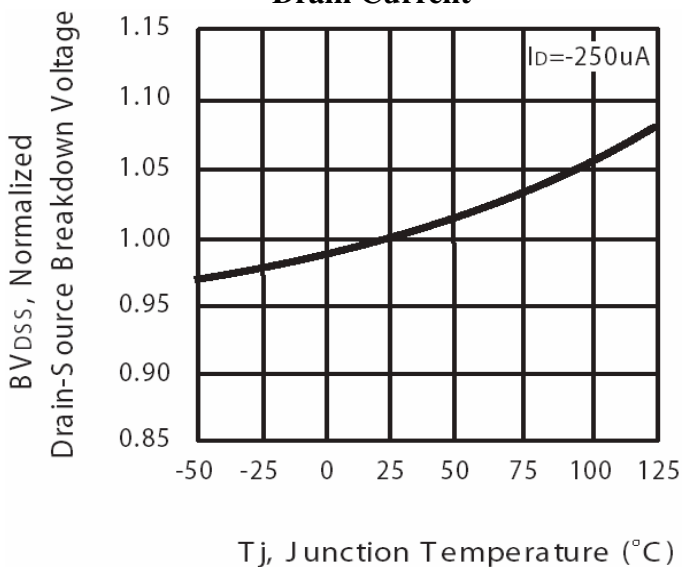
**Fig 2. Transfer Characteristics**



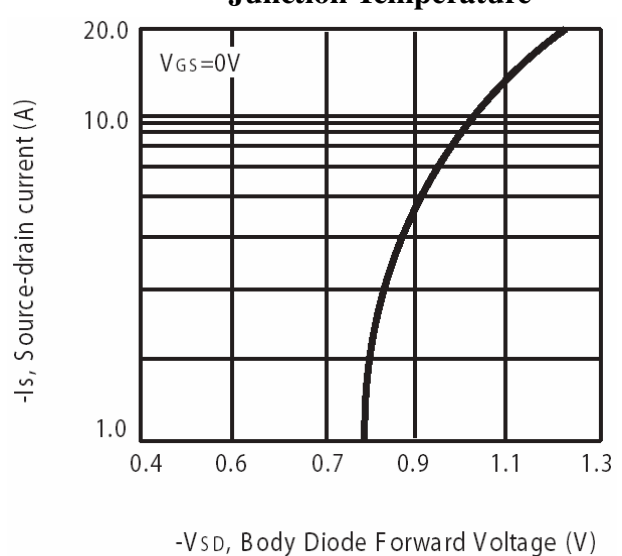
**Fig 3. Transconductance v.s. Drain Current**



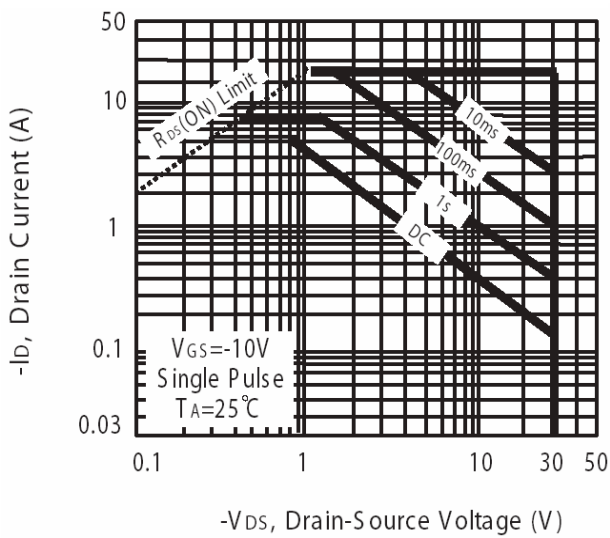
**Fig 4. On-Resistance v.s. Junction Temperature**



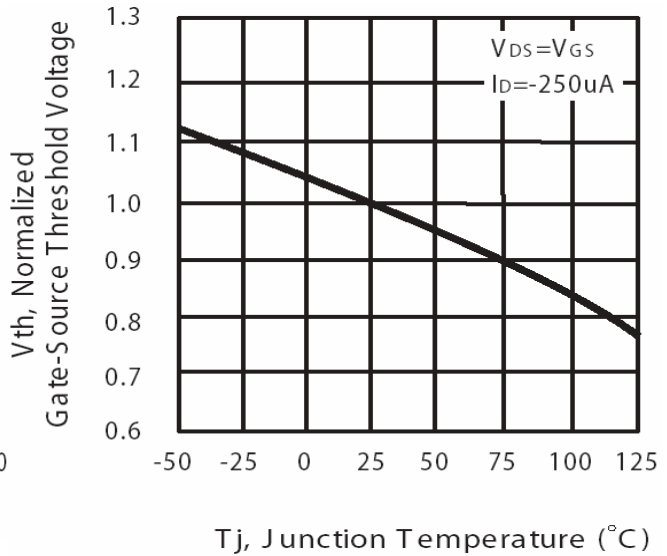
**Fig 5. Breakdown Voltage v.s. Junction Temperature**



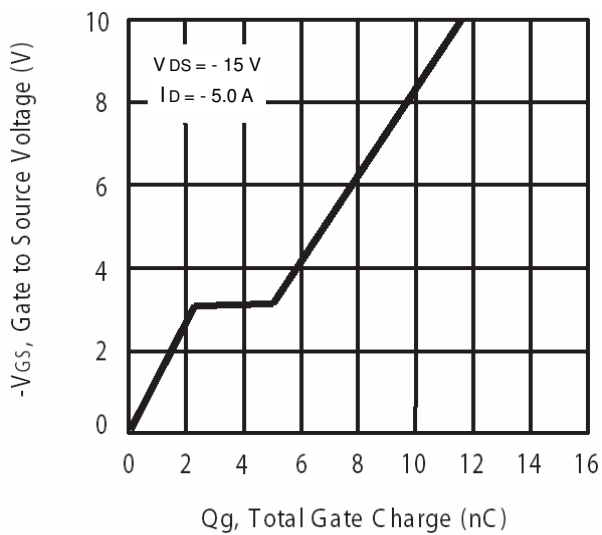
**Fig 6. Body Diode Forward Voltage v.s. Source Current**



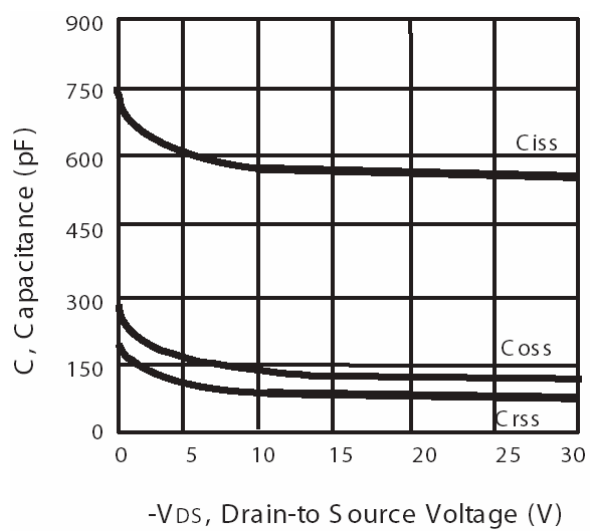
**Fig 7. Maximum Safe Operating Area**



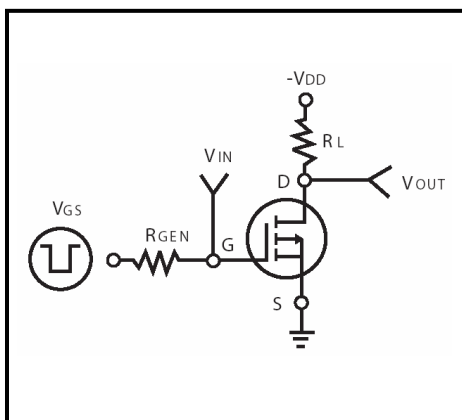
**Fig 8. Gate Threshold Voltage v.s. Junction Temperature**



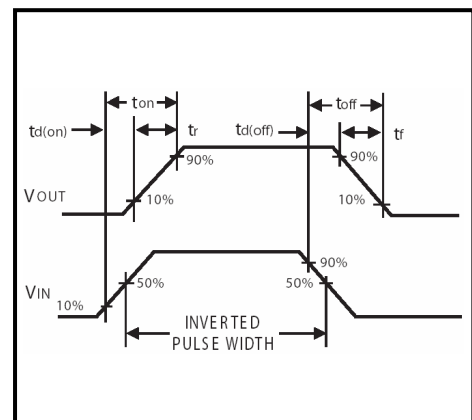
**Fig 9. Gate Charge Characteristics**



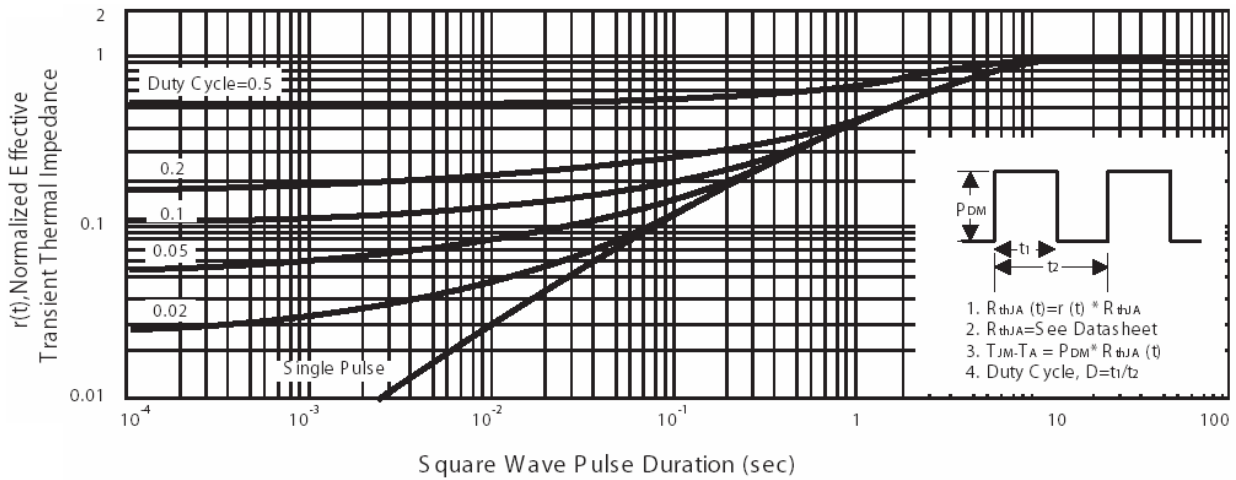
**Fig 10. Typical Capacitance Characteristics**



**Fig 11. Switching Time Circuit**



**Fig 12. Switching Time Waveform**



**Fig 13. Normalized Thermal Transient Impedance Curve**

**Important Notice:**

- All rights are reserved. Reproduction in whole or in part is prohibited without the prior written approval of GTM.
- GTM reserves the right to make changes to its products without notice.
- GTM semiconductor products are not warranted to be suitable for use in life-support Applications, or systems.
- GTM assumes no liability for any consequence of customer product design, infringement of patents, or application assistance.

**Head Office And Factory:**

- **Taiwan:** No. 17-1 Tatung Rd. Fu Kou Hsin-Chu Industrial Park, Hsin-Chu, Taiwan, R. O. C.
- TEL : 886-3-597-7061 FAX : 886-3-597-9220, 597-0785
- **China:** (201203) No.255, Jang-Jiang Tsai-Lueng RD. , Pu-Dung-Hsin District, Shang-Hai City, China
- TEL : 86-21-5895-7671 ~ 4 FAX : 86-21-38950165