



Part Number  
Key Word



Site Search

TOP

NEWS RELEASE

CONNECTOR SEARCH

CATALOG

SAMPLE

STOCK CHECK

[TOP](#) > [IL-Z-9PL-SMTYE](#)

## Product List

Product Name	IL-Z-9PL-SMTYE
Series Name	IL-Z Series
Lead free	Yes
Contact pitch (mm)	1.25
Connector types	Pin header
Number of contacts	9
PCB side connector styles	Right angle
PCB mounting method	Solder
SMT	Yes
Termination styles	-
Mating side contact finish	Tin
Mouting side contact length (mm)	1.6

Remarks	
Related Documents	 129Kbytes
Pair	

## Notice:

1. The values specified in this web site are only for reference. The products and their specifications are subject to change without notice. Contact our sales staff for further information before considering or ordering any of our products.  
For purchase, a product specification must be agreed upon.
2. Users are requested to provide protection circuits and redundancy circuits to ensure safety of the equipment, and sufficiently review the suitability of JAE's products to the equipment.
3. The products presented in this web site are designed for the uses recommended below. We strongly suggest you contact our sales staff when considering use of any of the products in any other way than the recommended applications or for a specific use that requires an extremely high reliability.

### (1) Applications that require consultation:

- (i) Please contact us if you are considering use involving a quality assurance program that you specify or that is peculiar to the industry, such as:  
Automotive electrical components, train control, telecommunications devices (mainline), traffic light control, electric power, combustion control, fire prevention or security systems, disaster evention equipment, etc.

(ii) We may separately give you our support with a quality assurance program that you specify, when you think of a use such as :

Aviation or space equipment, submarine repeaters, nuclear power control systems, medical equipment for life support, etc.

(2) Recommended applications include:

Computers, office appliances, telecommunications devices (terminals, mobile units), measuring equipment, audiovisual equipment, home electric appliances, factory automation equipment, etc

61Z001RS

(ON ENIMVHD) 台型図

CONTACT No. 1

端子No. 1

APPLICABLE P.C.B. DIMENSION (REF.)  
適合基板寸法(参考)

版数 REV.	年月日 DATE	DCN NO.	変更内容 DESCRIPTION	製図 DR.	担当 CHK.	査閲 APPD.	承認 APPD.

DESIGNATION

命名法

IL-Z-\*PL-SM TYE

(LEAD FREE) TIN/TIN ALLOY  
錫又は錫合金(無鉛)

SURFACE MOUNT TYPE  
結線方法

ANGLE TYPE  
コンタクト形状

P: PIN CONTACT  
コンタクト区分 P: ピンコンタクト

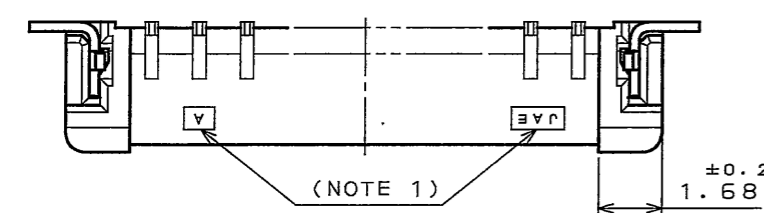
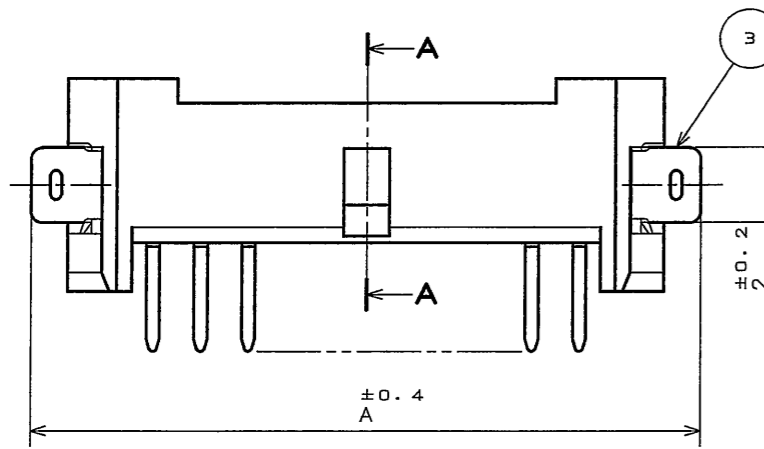
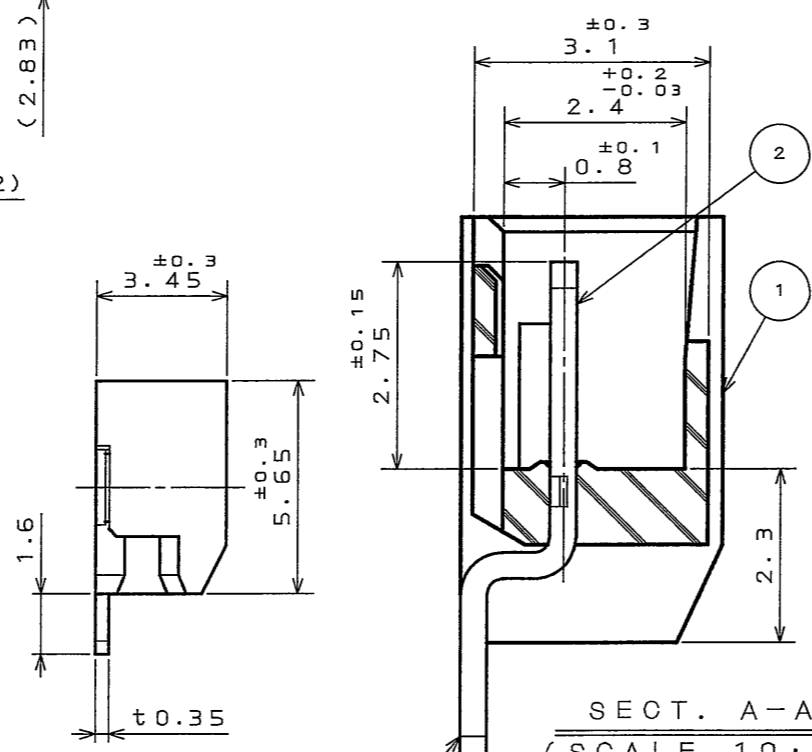
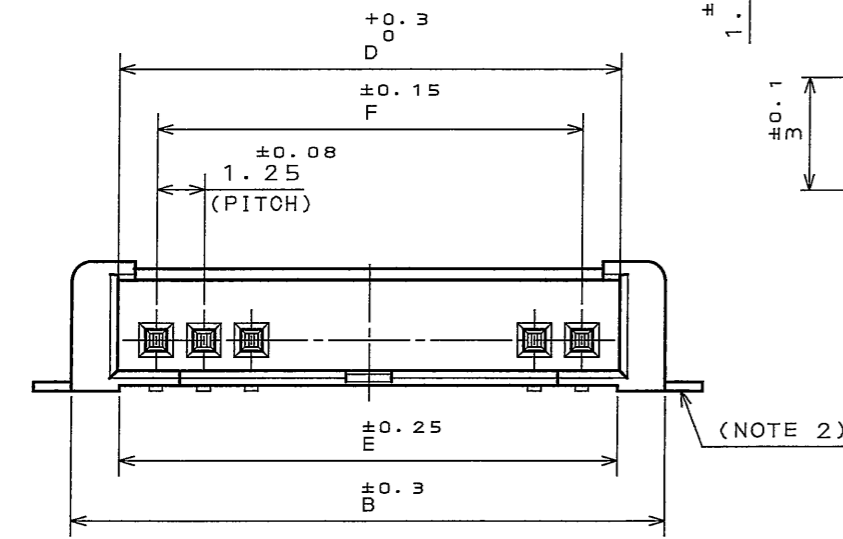
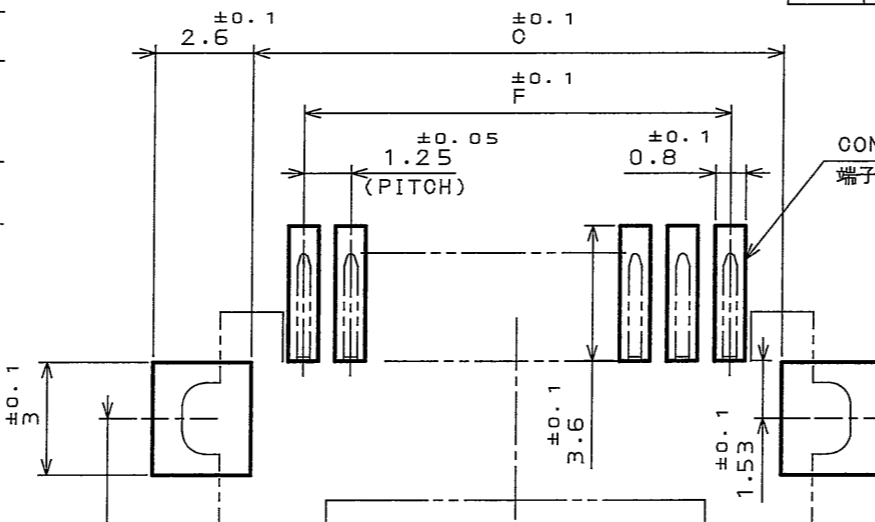
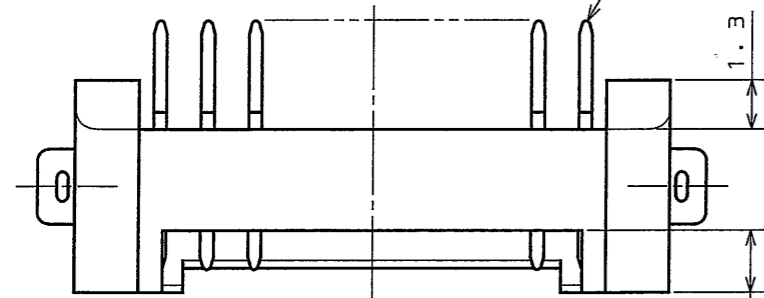
No. OF CONTACT  
芯数

SERIES  
シリーズ名

TABLE 1. PART No., No. OF CONTACT AND DIMENSIONS

表-1 名称、芯数及び寸法

PART No. 名称	No. OF CONTACT 芯数	DIMENSIONS 寸法					
		A	B	C	D	E	F
IL-Z- 2PL-SM TYE	2	7.65	5.65	4.45	3.25	3.15	1.25
IL-Z- 3PL-SM TYE	3	8.9	6.9	5.7	4.5	4.4	2.5
IL-Z- 4PL-SM TYE	4	10.15	8.15	6.95	5.75	5.65	3.75
IL-Z- 5PL-SM TYE	5	11.4	9.4	8.2	7	6.9	5
IL-Z- 6PL-SM TYE	6	12.65	10.65	9.45	8.25	8.15	6.25
IL-Z- 7PL-SM TYE	7	13.9	11.9	10.7	9.5	9.4	7.5
IL-Z- 8PL-SM TYE	8	15.15	13.15	11.95	10.75	10.65	8.75
IL-Z- 9PL-SM TYE	9	16.4	14.4	13.2	12	11.9	10
IL-Z-10PL-SM TYE	10	17.65	15.65	14.45	13.25	13.15	11.25
IL-Z-11PL-SM TYE	11	18.9	16.9	15.7	14.5	14.4	12.5
IL-Z-12PL-SM TYE	12	20.15	18.15	16.95	15.75	15.65	13.75
IL-Z-13PL-SM TYE	13	21.4	19.4	18.2	17	16.9	15
IL-Z-14PL-SM TYE	14	22.65	20.65	19.45	18.25	18.15	16.25
IL-Z-15PL-SM TYE	15	23.9	21.9	20.7	19.5	19.4	17.5



NOTE 1. COMPANY LOGO "JAE" AND CAVITY MARK APPEAR IN RELIEF.  
NOTE 2. FOR SHAKES STIPULATIONS OF CONTACT AND HOLD DOWN, SEE APPLICABLE SPECIFICATION.  
NOTE 3. CONTACT TIP IS NOT PLATED.

注1. 社標及び金型マークを沈み彫り浮き出す。  
注2. 端子の振れ及びホルドダウンの振れ規定は適用仕様書による。  
注3. 端子先端には、メッキはつかない。

符号 NO.	名称 DESCRIPTION	個数 QTY.	材料 MATERIAL	仕上 FINISH	備考 REMARKS
3	HOLD DOWN	2	PHOSPHOR BRONZE	(LEAD FREE)TIN/TIN ALLOY	
2	CONTACT	TABLE1	BRASS	TIN PLATING	
1	INSULATOR	1	PPS		UL94V-0 COLOR: BEIGE

仕様書(SPECIFICATION) JACS-1266-\* 第1版(ORIGINAL DATE) 19.Feb.2004 尺(SCALE) 5:1

製造 DR. 担当 CHK. H.TAKAHASHI 査閲 APPD. Y.YAHIRO 承認 APPD. S. Kashiwagi

名称(TITLE) IL-Z-\*PL-SM TYE

重量(WEIGHT)

図面番号(DRAWING NO.) SJ100719

版数(REV.) 1

DOF-0-212E(03.08)

0 10 20 30 40 50 60 70 80 90 100

LEAD FREE この製品は鉛フリー品です

JAE CONNECTOR DIV. PROPRIETARY. COPYRIGHT (C) 2004, JAPAN AVIATION ELECTRONICS INDUSTRY, LTD.