

PIC-P28-USB development board

Users Manual

Rev.A, June 2007

Copyright(c) 2007, OLIMEX Ltd, All rights reserved

INTRODUCTION:

PIC-P28-USB board was designed in mind to create board which to allow easy interface for your embedded projects to computers with USB. It's based around the popular FTDI chips FT232.

Some of you will say: wait a minute why to use additional expensive chip to interface my PIC to USB when I have seen on Microchip's web site that there are PICs with build-in USB controller as peripheral? Here is the catch: USB (Universal Serial Bus) was created by the big boys: Microsoft, Intel, NXP, HP, NEC (you can find more info at www.usb.org) and it's really great way to add peripherals to PC computers as it carry both data signals and power supply, but as it's universal the programming of USB device is not easy job. The USB interface is simple host-device interface. On the PC there is HOST controller which provide the power and make the communication, but because on the USB there are so many type of peripherals which are supported like: Human interface devices - like mouse, joysticks, tablets etc, Communication Devices like modems, links, routers etc., Image devices - like scanners, web cameras, etc, Mass storage devices like hard drives, flash memories etc, Audio devices like microphones, and speakers, you can imagine that writing the USB host controller software is not easy job and there are several programming layers for the USB stack i.e. host your application code will have the access to the different peripherals. So one USB host stack may consist of many tenths of thousands for high level language code.

At the USB device side the code is not so complicated as at least you implement not all communication protocols for the devices mentioned above, but only your device code, but it's still not small code, and why you should spend your time to write 1000 lines of code when you want to make simple old good RS232 send and receive byte??? No much sense I guess, but wait there is another catch when you plug the USB device the host assign it an number which is used later to distinguish it from the other USB devices connected to the computer. To make the driver installation easier every USB product manufacturer should have his own assigned VENDOR-CODE so far so good, this means when you plug your Genius web camera Windows know which driver to install. The bad for you is that to get this VENDOR-CODE you have to pay US \$1500.00 to USB.ORG guys, not bad business at all huh? To sell numbers? If you decide to make thousands of USB devices it's good idea to have such vendor code, but what if you want to make one small prototype which you want to connect to USB?

Now after reading all above you should not be surprised that FTDI Inc. who created USB to RS232 chip FT232 is very popular - they give you simple solution to connect to USB without knowing all the stuff behind it, without paying upfront for USB vendor code and using the good old fashioned RS232 way to program in your PIC. On their web there are drivers for Windows version XYZ, Linux, Mac OS etc., so you can interface your project to machines running all these operating systems with small piece of code in the PIC.

PIC-P28-USB have FT232 USB-to-RS232 converter IC on board.

The power is taken from the USB so no need for external power supply adapter. Note that when you plug your USB cable there is process of USB enumeration and the power supply to PIC is supplied only when USB host successfully enumerate your PIC-P28-USB so power to PIC come with 1-2 seconds delay

The on-board ICSP connector allow you to program the PIC on the board without pulling it of the socket, by ICSP programmer like PIC-MCP, PIC-MCP-USB, PIC-PG1, PIC-PG2, PIC-PG3, PIC-PG4 or to program and debug it with PIC-ICD2, PIC-ICD2-POCKET or PIC-ICD2-TINY. **IMPORTANT: all programmers provide power supply through ICSP connector during the programming PIC-P28-USB should not be connected to USB. Of course PIC-ICD2 have option to not power the target circuit and this option should be used when you debug your application while connected to USB.**

The oscillator circuit is made with 20 Mhz crystal oscillator, so you can run your PIC at maximum performance.

The RESET circuit is made with simple RC circuit. Note that RESET button should not be pressed while you program or debug the PIC!

PIC-P28-USB have user button for user input connected to PIC microcontroller's RA5 port. When RA5 port is initialized as INPUT you will read "0" when the button is pressed and "1" when it is depressed.

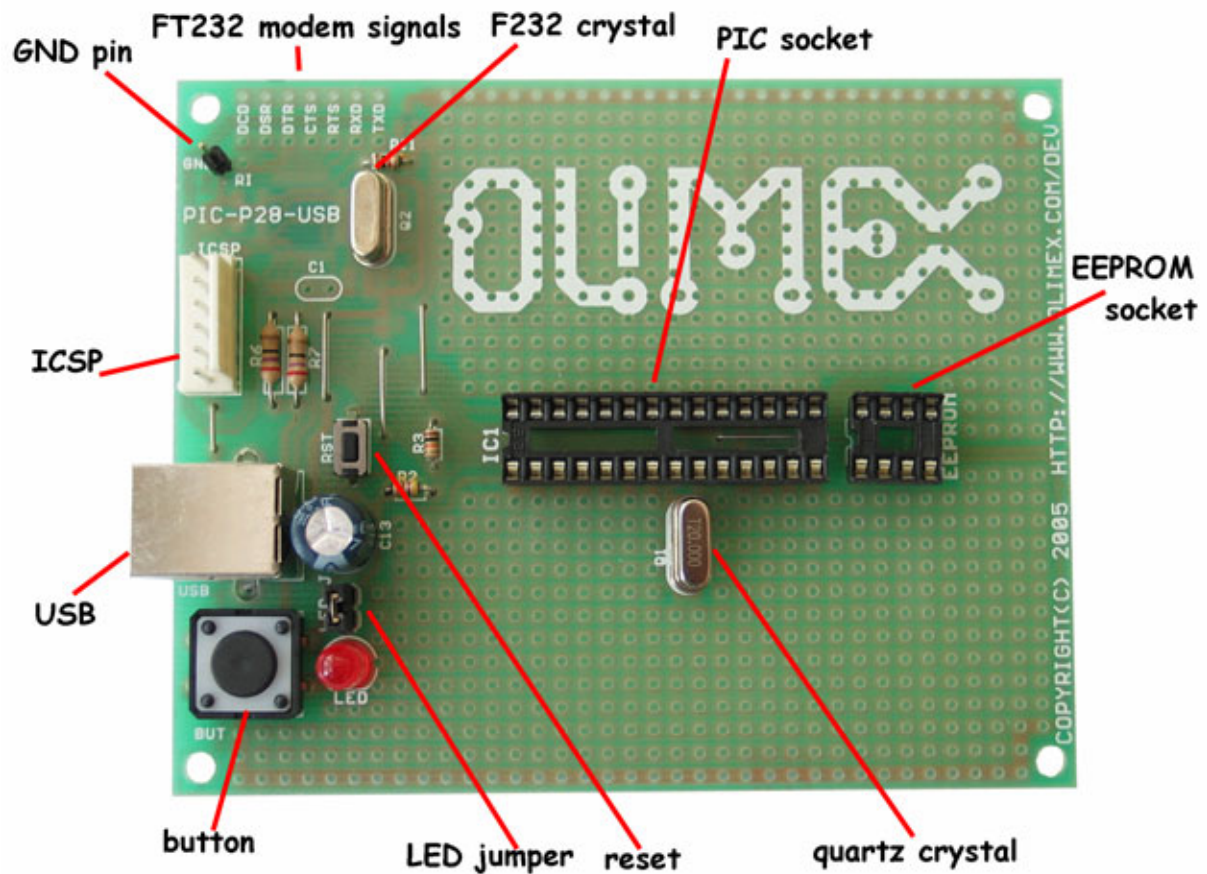
Status LED is connected via jumper to PIC microcontroller's RA0 port. When your RA0 port is initialized as OUTPUT and set to "0" LED will go ON, when RA0 port is set to "1" LED will go OFF.

PIC-P28-USB have handy GND pin for connection to oscilloscope.

All modem signals from FT232 are provided and could be used.

PIC-P28-USB have socket for I2C EEPROM which are connected to RC4-SDA and RC3-SCL

FEATURES:

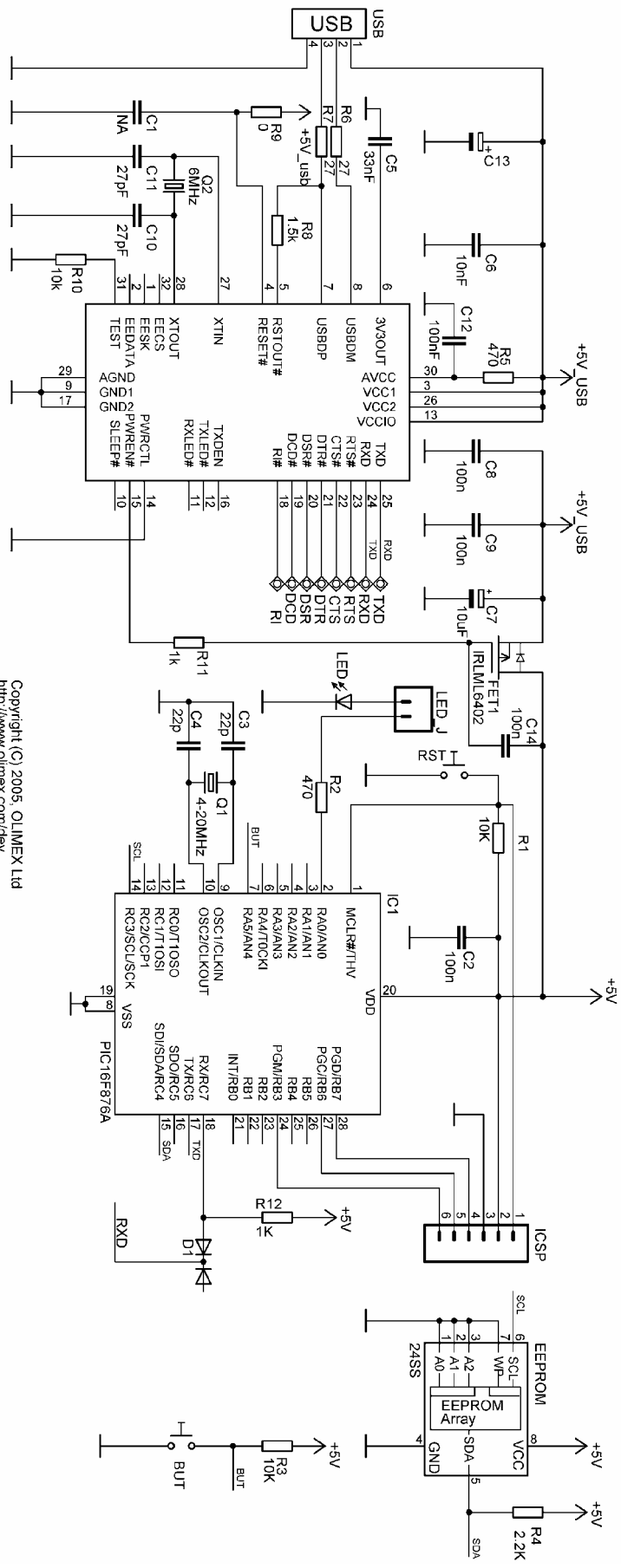


- ICSP/ICD connector for programming and debugging
- FT232 USB-to-RS232 converter
- DIL28 microcontroller socket
- DIL8 EEPROM socket
- Quartz crystal 20Mhz
- LED to RA0 through jumper
- user Button to RA5
- Reset button and circuit
- USB type B connector
- Extension slot on every uC pin
- Gird 100 mils
- GND bus
- Vcc bus
- Four mounting holes 3,3 mm (0,13")
- FR-4, 1.5 mm (0,062"), green soldermask, white silkscreen component print
- Dimensions 100x80 mm (3,9x3,15")



All boards produced by Olimex are ROHS compliant

HARDWARE:



SOFTWARE:

DEMO1: PIC16F876-I/P BLINK LED

This is demo code which blinks the LED on PIC-P28-USB board.

Note:

LED jumper should be closed!

DEMO2: PIC16F876-I/P BUTTON read

This is demo code which show how to read BUTTON status and to switch the LED ON when button is pressed and LED off when the button is depressed.

DEMO3: PIC16F876-I/P RS232 send / receive routines

This is demo code, which show how to use the USART to send and receive characters from host PC via USB cable.

You must program the HEX code to PIC16F876 and run the code.

If you programmed the PIC correctly when you plug USB cable on your computer will appear "virtual" COM port. When you open Hyperterminal on your host PC computer with 9600 bps, 8 data bit, 1 stop bit, No flow control the PIC-P28-USB every character you type on the hyperterminal will be printed back with "*" i.e. if you type "abc" you will receive "a*b*c*".

DEMO4: PIC16F876-I/P EEPROM read / write routines

This is demo code, which show how to use the EEPROM to read and write data. Note: you must put 24LC16 EEPROM in the DIL8 socket.

ORDER CODE:

PIC-P28-USB – assembled and tested (no kit, no soldering required)

PIC-P28-USB/PCB – blank PCBs only

How to order?

You can order to us directly or by any of our distributors.

Check our web www.olimex.com/dev for more info.

Revision history:

REV.A - create June 2007

Disclaimer:

© 2007 Olimex Ltd. All rights reserved. Olimex®, logo and combinations thereof, are registered trademarks of Olimex Ltd. Other terms and product names may be trademarks of others.

The information in this document is provided in connection with Olimex products. No license, express or implied or otherwise, to any intellectual property right is granted by this document or in connection with the sale of Olimex products.

Neither the whole nor any part of the information contained in or the product described in this document may be adapted or reproduced in any material from except with the prior written permission of the copyright holder.

The product described in this document is subject to continuous development and improvements. All particulars of the product and its use contained in this document are given by OLIMEX in good faith. However all warranties implied or expressed including but not limited to implied warranties of merchantability or fitness for purpose are excluded.

This document is intended only to assist the reader in the use of the product. OLIMEX Ltd. shall not be liable for any loss or damage arising from the use of any information in this document or any error or omission in such information or any incorrect use of the product.

Mouser Electronics

Authorized Distributor

Click to View Pricing, Inventory, Delivery & Lifecycle Information:

[Olimex Ltd.:](#)

[PIC-P28-USB](#)