

Features

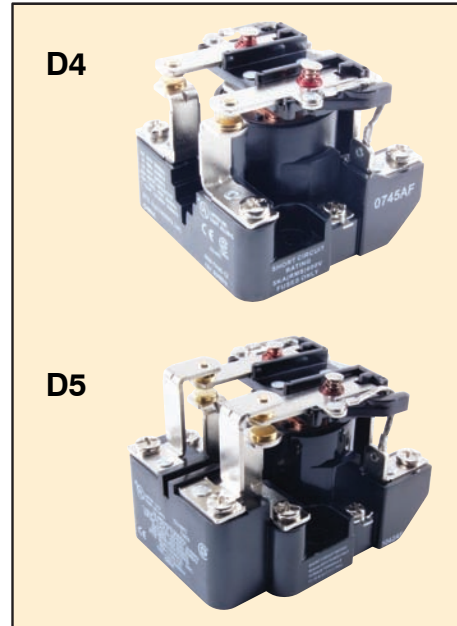
- Screw Terminals
- Long Life Contacts
- Molded Plastic Barrier Insulation
- Molded Nylon Bobbin Coil



R04 Series



Heavy Duty, 30 Amp, Open Frame Relay designed for Industrial Control, High Inrush Current Applications such as Motor Starting and Incandescent Lamp Loads.



| AC OPERATED | | | | | | |
|---------------|--------------|--------------|----------------------|------------|-------------------------------------|----------|
| NTE TYPE No. | Nom. Voltage | Contact Arr. | Coil Res. Ohms (Typ) | Nom. Power | Max. Contact Cur. @ 28VDC or 120VAC | Diag No. |
| R04-3A30-12 | 12VAC | SPST-NO | — | 10VA | 30A | D4 |
| R04-3A30-24 | 24VAC | SPST-NO | — | 10VA | 30A | D4 |
| R04-3A30-120 | 120VAC | SPST-NO | — | 10VA | 30A | D4 |
| R04-3A30-240 | 240VAC | SPST-NO | — | 10VA | 30A | D4 |
| R04-5A30-12 | 12VAC | SPDT | — | 10VA | 30A | D3 |
| R04-5A30-24 | 24VAC | SPDT | — | 10VA | 30A | D3 |
| R04-5A30-110 | 120VAC | SPDT | — | 10VA | 30A | D3 |
| R04-5A30-240 | 240VAC | SPDT | — | 10VA | 30A | D3 |
| R04-7A30-12 | 12VAC | DPST-NO | — | 10VA | 30A | D4 |
| R04-7A30-24 | 24VAC | DPST-NO | — | 10VA | 30A | D4 |
| R04-7A30-120 | 120VAC | DPST-NO | — | 10VA | 30A | D4 |
| R04-7A30-240 | 240VAC | DPST-NO | — | 10VA | 30A | D4 |
| R04-11A30-12 | 12VAC | DPDT | — | 10VA | 30A | D5 |
| R04-11A30-24 | 24VAC | DPDT | — | 10VA | 30A | D5 |
| R04-11A30-120 | 120VAC | DPDT | — | 10VA | 30A | D5 |
| R04-11A30-240 | 240VAC | DPDT | — | 10VA | 30A | D5 |
| DC OPERATED | | | | | | |
| R04-3D30-12 | 12VDC | SPST-NO | 70 | 2.0W | 30A | D4 |
| R04-3D30-24 | 24VDC | SPST-NO | 290 | 2.0W | 30A | D4 |
| R04-5D30-12 | 12VDC | SPDT | 70 | 2.0W | 30A | D3 |
| R04-5D30-24 | 24VDC | SPDT | 290 | 2.0W | 30A | D3 |
| R04-5D30-110 | 110VDC | SPDT | 6K | 2.0W | 30A | D3 |
| R04-7D30-12 | 12VDC | DPST-NO | 70 | 2.0W | 30A | D4 |
| R04-7D30-24 | 24VDC | DPST-NO | 290 | 2.0W | 30A | D4 |
| R04-7D30-110 | 110VDC | DPST-NO | 6K | 2.0W | 30A | D4 |
| R04-11D30-12 | 12VDC | DPDT | 70 | 2.0W | 30A | D5 |
| R04-11D30-24 | 24VDC | DPDT | 290 | 2.0W | 30A | D5 |
| R04-11D30-48 | 48VDC | DPDT | 1200 | 2.0W | 30A | D5 |
| R04-11D30-110 | 110VDC | DPDT | 6K | 2.0W | 30A | D5 |

| ACCESSORIES | |
|--|--------------|
| DESCRIPTION | NTE TYPE NO. |
| DUST COVER, 2-PIECE ENAMELED STEEL ENCLOSURE | RLY9165 |

Electrical Specifications

Contact

Contact Rating: 30 Amps up to 300VAC 50/60 Hz, 5 Amps @ 480/600VAC, 50/60Hz, 0.75pf (slightly inductive) load. 1¹/₂ HP motor load at 120 thru 600VAC 50/60Hz. 30 Amps @ 28VDC, resistive load (each pole). 2 HP motor load at 200 thru 600VAC 50/60Hz when using two poles to switch both sides of load.

Contact Material: Silver cadmium oxide, 5/16" Dia

Coil

Coil Voltages: See Chart

Coil Resistance: See chart

Coil Power: Maximum Coil Dissipation: 4 watts DC

Duty Cycle: Continuous

Operational Characteristics

Timing Values Operate Time: 40ms or less
Release Time: 30ms or less

Insulation Characteristics

Dielectric Strength

Across Open Contacts: 1500 VRMS
 Between mutually insulated conductive elements: 2200 VRMS

Environmental Characteristics

Operating: -30° to +50°C (AC), -30°C to +60°C (DC)

Non-operating (storage): -30°C to +100°C

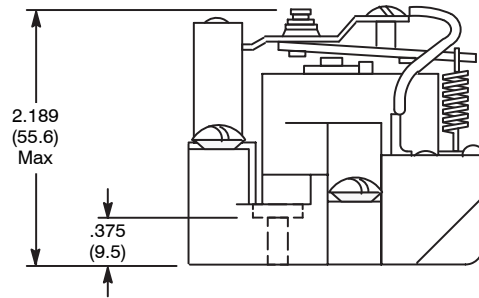
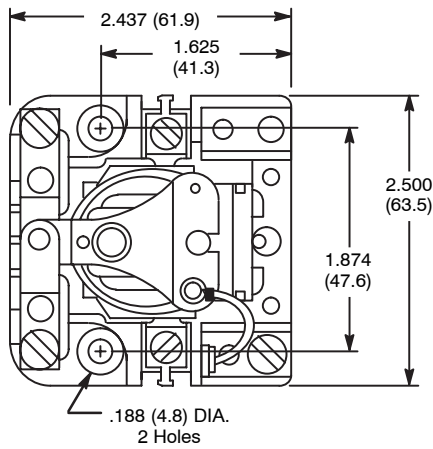
Weight

D3 case: 8 ozs (227 grams)—approx

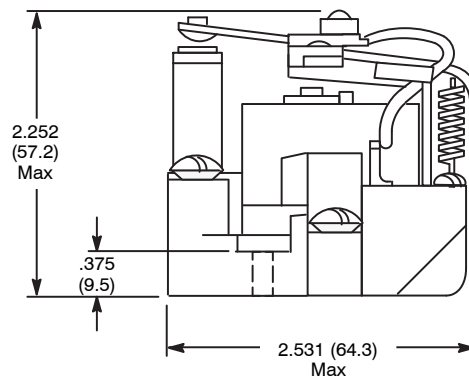
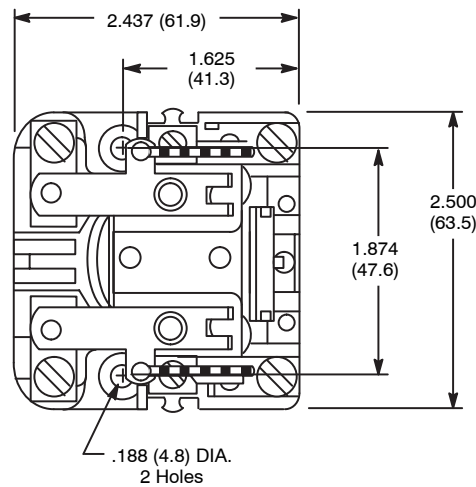
D4 case: 9 ozs (255 grams)—approx

D5 case: 11 ozs (311 grams)—approx

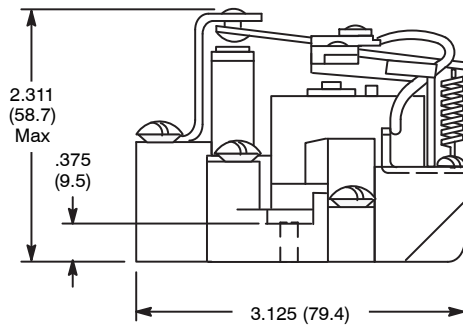
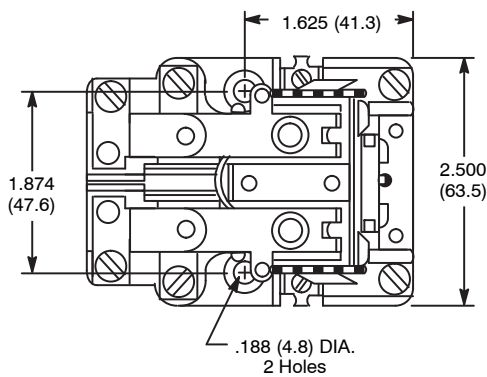
D3



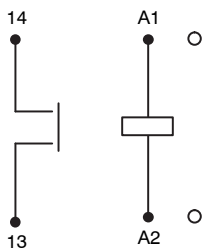
D4



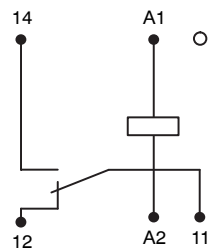
D5



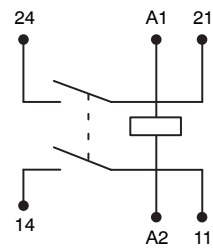
SPST-NO 1 Form "A"



SPDT 1 Form "C"



DPST-NO 2 Form "A"



DPDT 2 Form "C"

