

RoHS Compliant Pb - Lead Free	Ltr	Revisions	Date	Appr

Electrical Specifications:

Frequency Range		0.500 to 156.000					MHz		
Temperature Stability		±100					PPM Max		
		±50							
		±30							
		±25							
Aging per Year		±3							
Operating Temperature Range		Standard		-10 to +70			°C		
		Extended		-40 to +85					
Storage Temperature Range		-55 to +125							
Supply Voltage		1.8 ± 5%	2.5 ± 5%	2.85 ± 5%	3.3 ± 10%	5.0 ± 10%	Vdd		
Input Current		1.000 to 32.000 MHz		7	8	15	7	25	mA Max
		32.100 to 50.000 MHz		15	20	20	12	30	
		50.100 to 70.000 MHz		15	12	25	25	40	
		70.100 to 80.000 MHz		15	20	30	25	50	
		80.100 to 125.000 MHz		20	25	35	30	60	
		125.100 to 156.000 MHz		25	30	40	40	80	
Output Voltage		Logic High (Voh)		90% (80% at 1.8)			Vdd Min		
		Logic Low (Vol)		10% (20% at 1.8)			Vdd Max		
Output Symmetry		Standard		40 to 60			%		
		Tight		45 to 55					
Output Load		15					pF Max HCMOS		
		30							
		50							
Rise and Fall Time		1.000 to 32.000 MHz		5	5	6	10	10	ns Max
		32.100 to 50.000 MHz		5	5	6	10	5	
		50.100 to 70.000 MHz		4	4	4	6	5	
		70.100 to 80.000 MHz		4	4	4	5	5	
		80.100 to 125.000 MHz		3	3	4	5	4	
		125.100 to 155.520 MHz		3	3	3	4	4	
Phase Jitter (12 KHz to 20 MHz)		1					ps Max RMS		
Enable-Disable Function		Tri-State					-		
Output Disable Time		300	150			ns Max			
Output Enable Time		10	10			ms Max			
Start Up Time		10					ms Max		

Temperature stability is Inclusive of all conditions:

Calibration Tolerance at +25°C, frequency stability over the operating temperature range, supply voltage, supply voltage change, output load changes, shock, vibration, and 1st year aging at +25°C.



11-3 Chien-Kuo Rd T.E.P.Z. 4027 Taiwan, ROC

All dimensions are millimeters.

CAD: TCR

Review: EG

Appr: MK

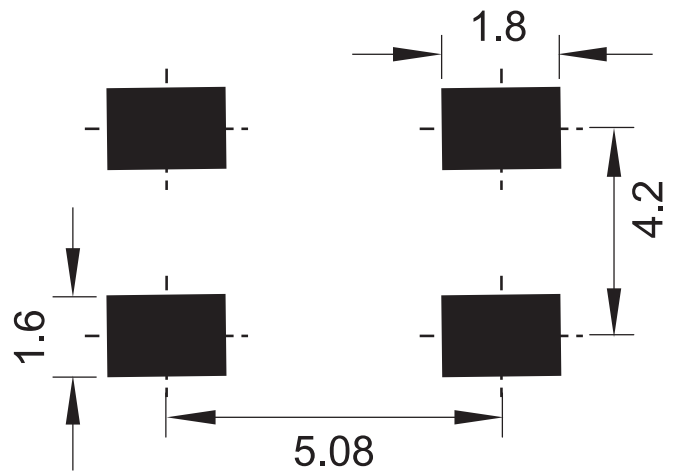
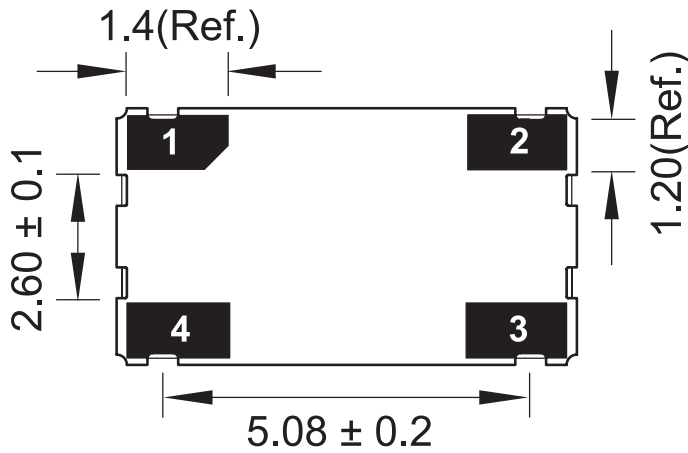
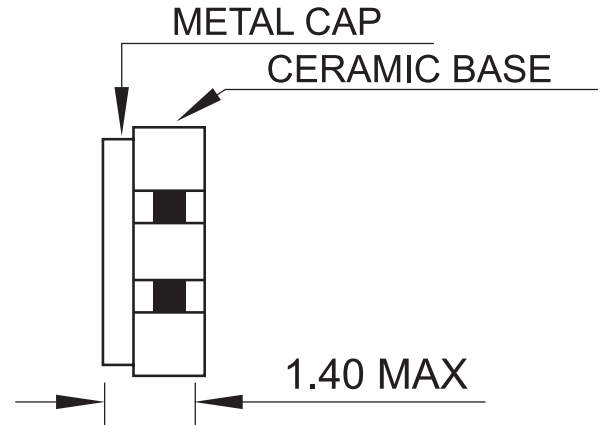
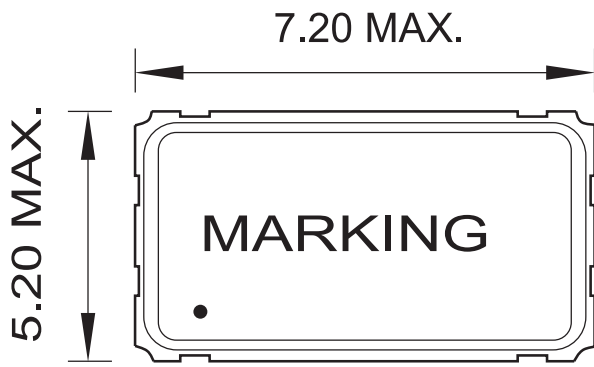
Page: 1/4 Date: Feb 7, 2008

Specification Title:

**Clock Oscillator
Low Profile
5.0 x 7.0 millimeter Surface Mount
General Product Specification**

Part Number: **S7 Series**

Mechanical Outline:



#1 : E/D #2 : GND
 #4 : VDC #3 : OUTPUT

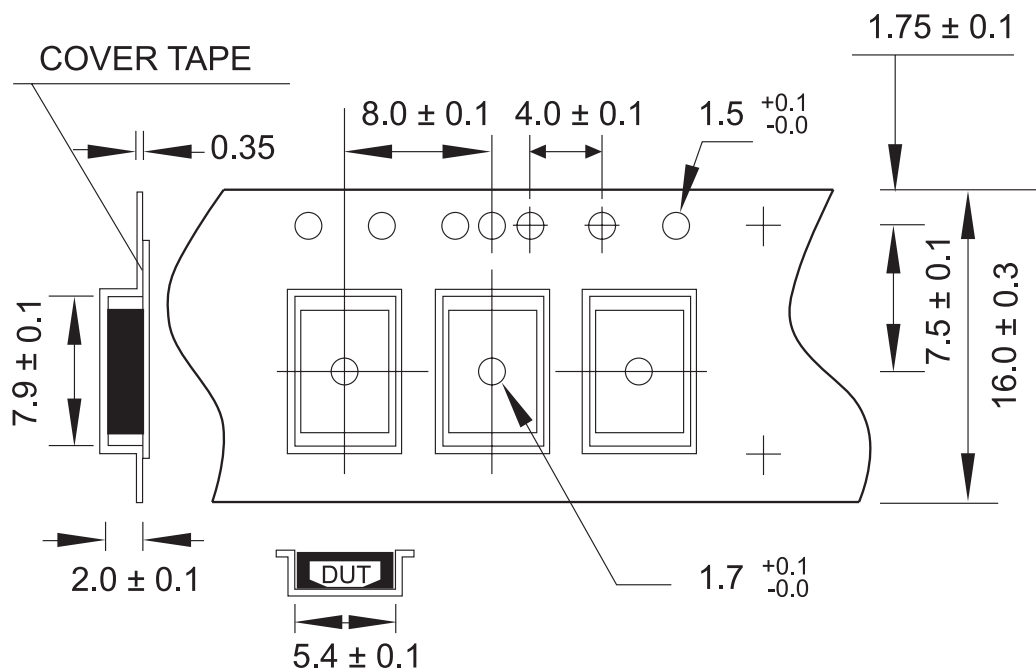
Bottom

Recommended Land Pattern

Pin1	Pin 3
INH	Output
High or Open	Operating
Low	High Impedance

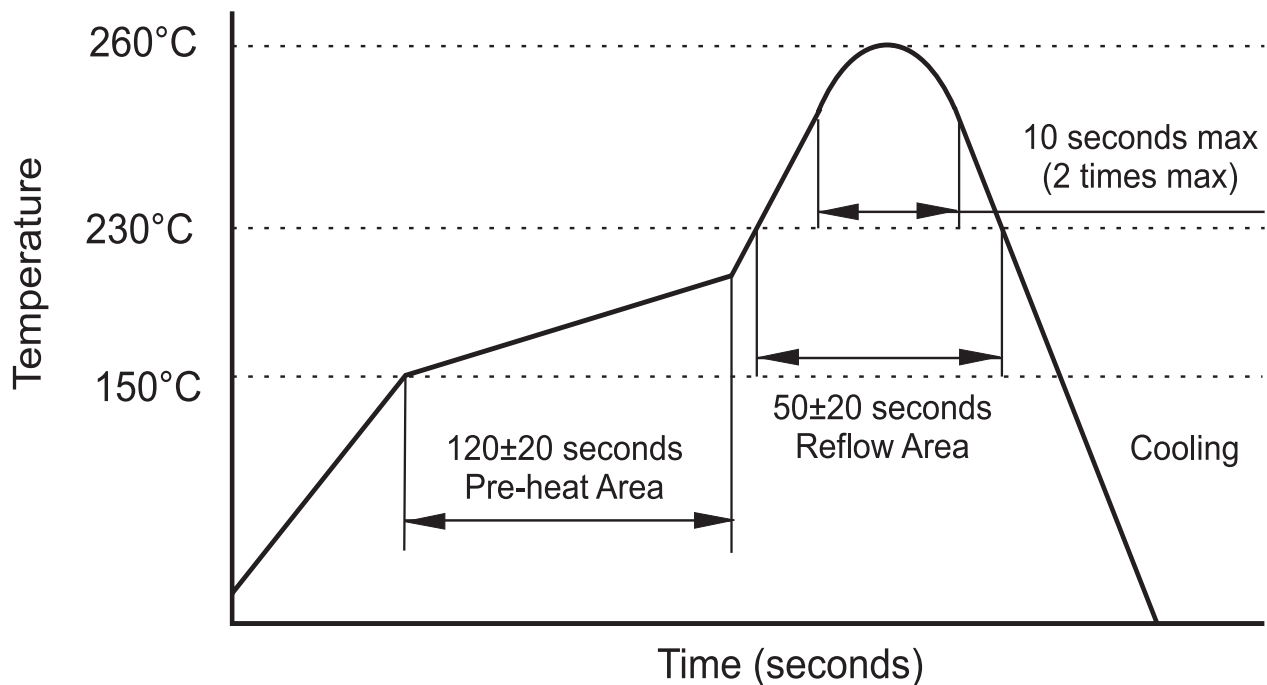
**Package is Seam Sealed Ceramic-Metal.
 Dimensions are millimeters.**

Carrier Tape Dimensions:



Dimensions are millimeters.

Solder Reflow Characteristics:



How to build a Part Number:

Series	S	Parameter
Package	7	5.0 x 7.0 mm
Supply Voltage	50	+5.0 Vdd ± 10%
	33	+3.3 Vdd ± 10%
	28	+2.8 Vdd ± 5%
	25	+2.5 Vdd ± 5%
	18	+1.8 Vdd ± 5%
Temperature Stability	10	±100 PPM
	05	±50 PPM
	03	±30 PPM
	025	±25 PPM
Duty Cycle	See Notes	40 / 60 %
	T	45 / 55 %
Frequency	0.500 to 156.000	MHz
Temperature Range	See Notes	-10 to +70 °C
	X	-40 to +85 °C
Output Load	15	pF Max HCMOS
	30	
	50	
Packaging	R	Tape and Reel

Part Number Example:

S73305T-50.000-X-15-R

S7: 5.0 x 7.0 mm SMD Package

33: +3.3 Vdd Supply Voltage

05: ±50 PPM Temperature Stability

T: 45/55% Tight Symmetry

50.000 MHz Nominal Frequency

X: -40 to + 85° C Extended Temperature Range

15: 15 pF Max HCMOS Output Load

R: Tape and Reel Packaging

Notes:

- 1- Standard Duty Cycle and Temperature Range do not need to be included in Part Number description.
- 2- Product is shipped in Tape and Reel configuration. Each reel contains 1000 pieces.
- 3- Quantities less than 1000 are shipped bulk in ESD pouches.
- 4- Specification subject to change without notice.