



© FREESCALE SEMICONDUCTOR, INC. ALL RIGHTS RESERVED.  
 ELECTRONIC VERSIONS ARE UNCONTROLLED EXCEPT WHEN ACCESSED  
 DIRECTLY FROM THE DOCUMENT CONTROL REPOSITORY. PRINTED  
 VERSIONS ARE UNCONTROLLED EXCEPT WHEN STAMPED "CONTROLLED  
 COPY" IN RED.

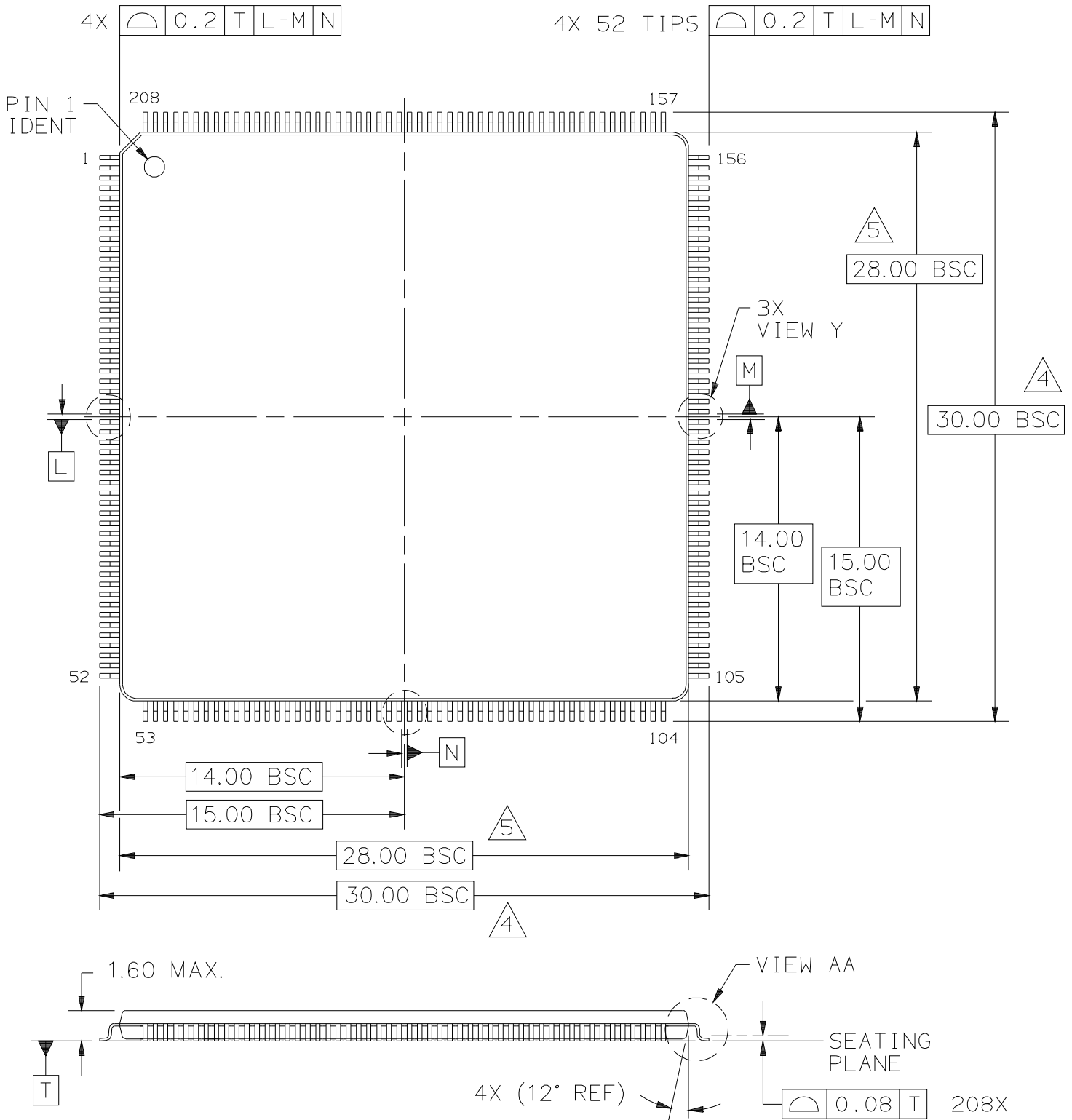
MECHANICAL OUTLINES  
 DICTIONARY

DOCUMENT NO: 98ASS23458W

PAGE: 998

DO NOT SCALE THIS DRAWING

REV: D



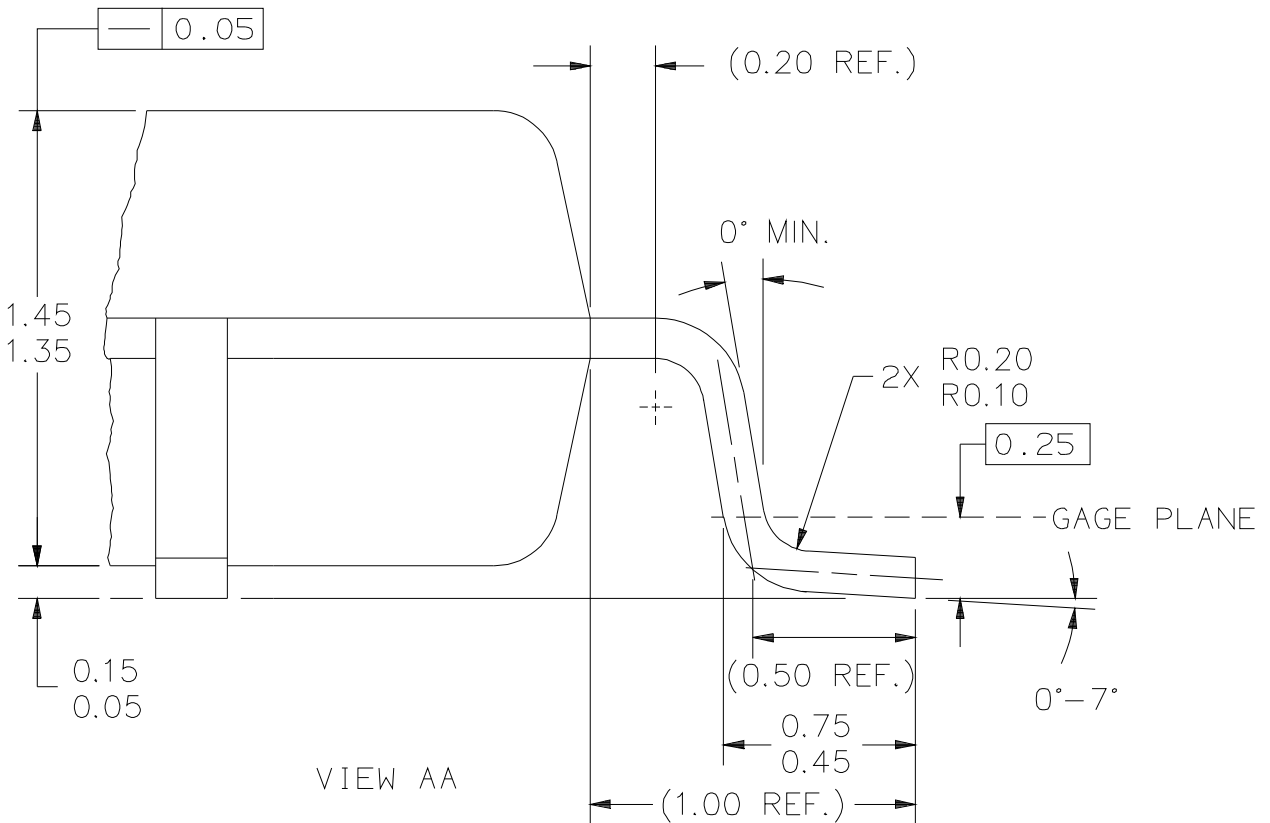
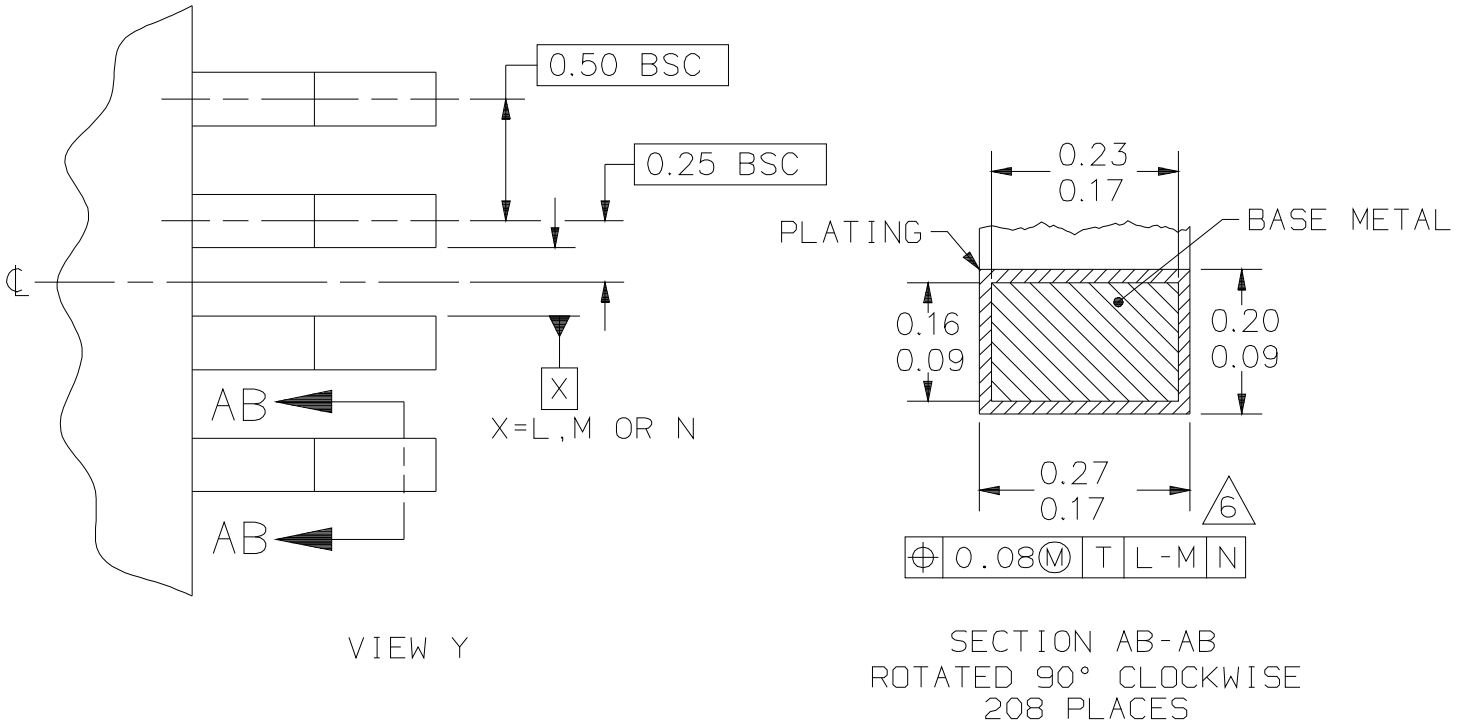
TITLE:  
 208 LD TQFP,  
 28 X 28 PKG, 0.50 PITCH, 1.4 THICK

CASE NUMBER: 998-02

STANDARD: JEDEC MS-026 BJB

PACKAGE CODE: 8268

SHEET: 1 OF 4



TITLE:  
208 LD TQFP,  
28 X 28 PKG, 0.50 PITCH, 1.4 THICK

CASE NUMBER: 998-02

STANDARD: JEDEC MS-026 BJB

PACKAGE CODE: 8268

SHEET: 2 OF 4



© FREESCALE SEMICONDUCTOR, INC. ALL RIGHTS RESERVED.  
 ELECTRONIC VERSIONS ARE UNCONTROLLED EXCEPT WHEN ACCESSED  
 DIRECTLY FROM THE DOCUMENT CONTROL REPOSITORY. PRINTED  
 VERSIONS ARE UNCONTROLLED EXCEPT WHEN STAMPED "CONTROLLED  
 COPY" IN RED.

MECHANICAL OUTLINES  
 DICTIONARY

DOCUMENT NO: 98ASS23458W

PAGE: 998

DO NOT SCALE THIS DRAWING

REV: D

NOTES

1. DIMENSIONS AND TOLERANCING PER ASME Y14.5M-1994.
2. DIMENSIONS IN MILLIMETERS.
3. DATUMS L, M AND N TO BE DETERMINED AT THE SEATING PLANE, DATUM T.



DIMENSIONS TO BE DETERMINED AT SEATING PLANE, DATUM T.



DIMENSIONS DO NOT INCLUDE MOLD PROTRUSION. ALLOWABLE  
 PROTRUSION IS 0.25 PER SIDE. DIMENSIONS INCLUDE  
 MOLD MISMATCH.



DIMENSION DOES NOT INCLUDE DAMBAR PROTRUSION. DAMBAR PROTRUSION  
 SHALL NOT CAUSE THE LEAD WIDTH TO EXCEED 0.35. MINIMUM  
 SPACE BETWEEN PROTRUSION AND ADJACENT LEAD 0.07.

TITLE:  
 208 LD TQFP,  
 28 X 28 PKG, 0.50 PITCH, 1.4 THICK

CASE NUMBER: 998-02

STANDARD: JEDEC MS-026 BJB

PACKAGE CODE: 8268

SHEET: 3 OF 4