



## Wireless inductive sensor

### RF IS M18 nb-ST 2 m

Material number: 1189975 (Material number old: 90211003)

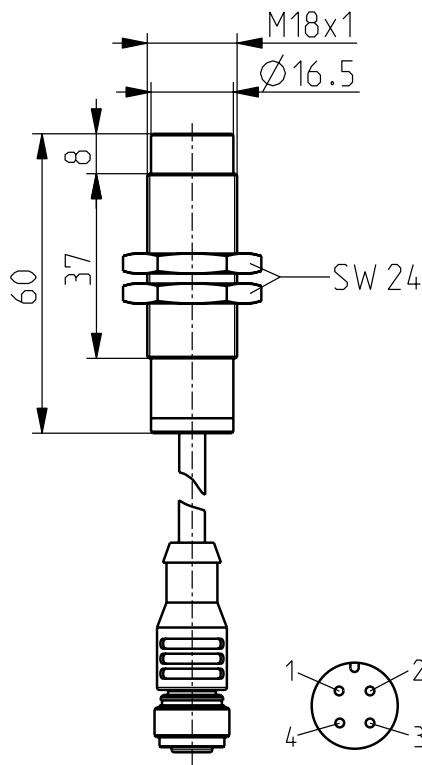
#### Features/Options

- Metal enclosure
- M18 thread
- Non-flush mounting
- With M12 coupling, 4-pole

#### Note

- 2 mounting nuts are included in delivery

#### Dimensions



#### Technical data

<b>Standards</b>	EN 60947-5-1
<b>Enclosure</b>	brass, nicked
<b>Front cap</b>	PVC, black
<b>Back cap</b>	PVC, black
<b>Connection</b>	Coupling M12 x 1, 4-pole
<b>Cable length</b>	2 m
<b>Degree of protection</b>	IP 67 to IEC/EN 60529
<b>Ambient temperature</b>	-25 °C ... +70 °C
<b>Rated isolation voltage <math>U_i</math></b>	75 VDC
<b>Rated operating current <math>I_e</math></b>	0.2 mA
<b>Rated operating voltage <math>U_e</math></b>	3 ... 5 VDC
<b>Switching distance</b>	$s_n$ 8 mm; $s_a$ 0 ... 6.48 mm; $s_r$ 7.2 mm ... 8.8 mm
<b>Hysteresis</b>	approx. 10 %
<b>Repeatability</b>	< 5 %
<b>Type of installation</b>	non-flush
<b>Switching frequency</b>	see RF 96 ST / RF I/O
<b>Correction factors</b>	Steel (St37) = 1; V2A approx. 0.7; Ms approx. 0.5; Al approx. 0.5; Cu approx. 0.4
<b>Actuator</b>	steel plate 24 x 24 x 1 mm, FE 360
<b>Note</b>	The sensor may only be used in combination with RF 96 ST or RF I/O
<b>Weight</b>	140 g

Errors and omissions excepted.

#### Contact diagram

