



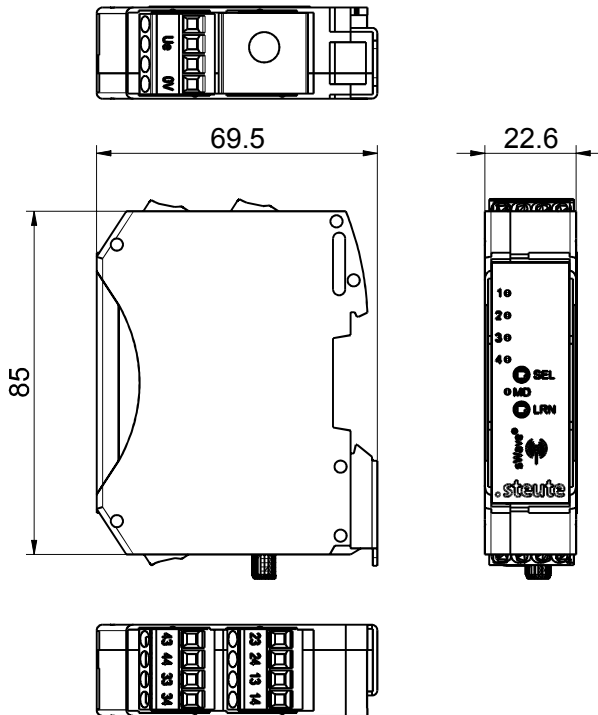
## Wireless receivers with relay outputs RF Rx SW915-4S 24VDC Material number: 1370677

### Features/Options

- sWave® wireless technology
- 4 potential-free relay outputs
- 4 NO contacts, max. 3 A

- Transmitter/receiver assignment by teaching mode
- LEDs for indication of switching state
- SMA reverse plug-in connector for external antenna

### Dimensions



### Arrangement of receiver and switch antenna



Optimum mounting

Possible mounting

Unsuitable mounting

### Note

Magnetic base antennae must be mounted on a metal plate of min. 250 x 250 mm size.

### Technical data

#### Standards

EN 60947-5-1; EN 61000-6-2, -6-3, EN 61000-4-2, -4-20, -4-4, -4-5, -4-6;  
EN 60068-2-6, EN 60068-2-27;  
EN 301 489-1; EN 301 489-3;  
EN 300 220-1; EN 300 220-2

#### Number of channels

4

#### Mounting

DIN rail mounting

#### Connection

screw terminals 0.14 mm<sup>2</sup> - 2,5 mm<sup>2</sup>, stripping length 8 mm

#### Degree of protection

IP 20 to IEC/EN 60529

#### Inputs

4 wireless channels, max. 40 transmitters

#### Outputs

4 NO contacts (relay)

#### Rated operating current $I_e$

24 VDC: max. 0.1 A

#### Rated operating voltage $U_e$

24 VDC -15 % ... +10 %

#### $I_e/U_e$ of output contacts

3 A / 250 VAC; 3 A / 24 VDC

#### Utilisation category

AC-15; DC-13

#### $U_i$

250 VAC

#### $U_{imp}$

2.5 kV

#### Frequency

915 MHz (USA, Canada and Australia)

#### Display

green LED: operating state, orange LED: switching conditions

#### Operation cycles

approx. 12000 telegrams at repetitions/h

#### Degree of pollution

2 to IEC/EN 60664-1

#### Ambient temperature

0 °C ... +55 °C

#### Storage and shipping temperature

-25 °C ... +85 °C

#### External antenna

always required for optimum sensing range

#### Note

Inductive loads (contactors, relays etc.) are to be suppressed by suitable circuitry. Switching contacts are not suitable for capacitive loads.

#### Approvals

USA: FCC: XK5-RFRXSW915;  
Canada: IC: 5158A-RFRXSW915



Errors and omissions excepted.