

GENERAL SPECIFICATIONS FOR SW3000s

Toggles

Rockers

Pushbuttons

Illuminated PB

Programmable

Keylocks

Rotaries

Slides

Tactiles

Tilt

Touch

Indicators

Accessories

Supplement

B Electrical Capacity (Resistive & Inductive Load)

Power Level: Shown in the following tables

Other Ratings

Contact Resistance: 10 milliohms maximum
Insulation Resistance: 1,000 megohms minimum @ 500V DC
Dielectric Strength: 2,000V AC minimum for 1 minute minimum
Mechanical Life: 30,000 operations minimum
Electrical Life: 10,000 operations minimum
Angle of Throw (α): Shown on drawings or following tables

Materials & Finishes

Rocker: Urea resin; all rockers are white.
Mounting Frame: Steel with chromate plating over zinc plating
Case Cover/Insulator: Phenolic resin
Case: Melamine phenol
Movable Contactor Plate: Copper with silver plating
Movable & Stationary Contacts: Silver alloy plus copper with silver plating
Terminals: Copper with tin plating

Environmental Data

Operating Temp Range: -10°C through $+70^{\circ}\text{C}$ ($+14^{\circ}\text{F}$ through $+158^{\circ}\text{F}$)
Sealing: Dustproof cover of silicone rubber on SW3006A, SW3007A, & SW3008A

Installation

Maximum Panel Thickness: Shown with following drawings
Soldering Time & Temperature: Manual Soldering: See Profile A in Supplement section.




Standards & Certifications

UL: File No. E44145
 UL or cULus recognition designated beside part numbers on following pages
 See Supplement section to find UL rating details.
 Add "/U" to end of part number to order UL mark on switch.
 Add "/CUL" to end of part number to order cULus mark on switch.


CSA: No. 023535_0_000
 CSA recognition designated beside part numbers on following pages.
 See Supplement section to find CSA rating details.
 Add "/C" to end of part number to order CSA mark on switch.

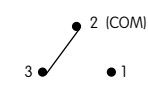
VDE: License No. 119189
 SW3006A at 20A @ 125V AC & 10A @ 250V AC
 Add "/V" to end of part number to order VDE mark on switch.

SINGLE POLE WITH SOLDER LUG *

Model	* Approvals UL SP	Pole	Rocker Position/Connected Terminals				Electrical Capacity				$\alpha =$ Angle of Throw
			Down 	Center 	Up 	Resistive			Inductive		
						AC 125V	AC 250V	DC 30V	AC 125V PF 0.6		
SW3001A	✓ ✓	SPST	ON 1-3	NONE	OFF —	15A	6A	15A	10A	24°	
SW3002A	✓ ✓	SPDT	ON 2-3	NONE	ON 2-1	15A	6A	15A	10A	24°	
SW3003A	✓ ✓	SPDT	ON 2-3	OFF	ON 2-1	15A	6A	15A	10A	28°	

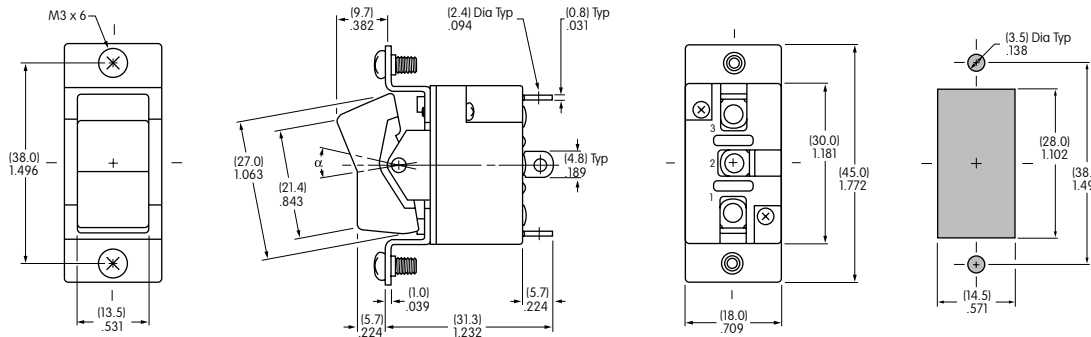
Throw & Schematics:

SPST  INTERNAL CONNECTION

SPDT  2 (COM)

Note: Terminal numbers are actually on the switch.

- * See General Specifications page for approval marking.
- * Wire harness & cable assemblies offered only in Americas.






SW3001A does not have terminal 2.

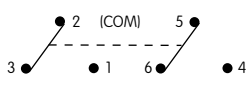
Maximum Effective Panel Thickness:
 .197" (5.0mm) for SW3001A & SW3002A models;
 .177" (4.5mm) for SW3003A models

SW3001A

DOUBLE POLE WITH SOLDER LUG *

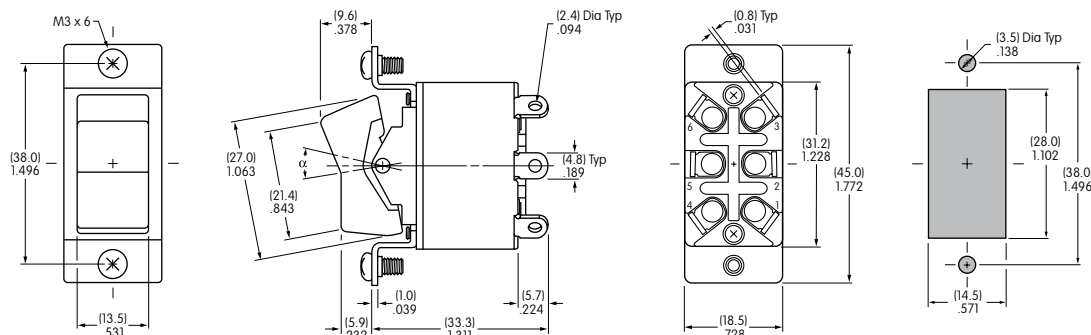
Model	* Approvals UL cULus SP	Pole	Rocker Position/Connected Terminals () = Momentary				Electrical Capacity				$\alpha =$ Angle of Throw
			Down 	Center 	Up 	Resistive			Inductive		
						AC 125V	AC 250V	DC 30V	AC 125V PF 0.6		
SW3006A	✓ ✓ ✓	DPDT	ON 2-3 5-6	NONE	ON 2-1 5-4	20A	10A	20A	10A	24°	
SW3007A	— — ✓	DPDT	ON 2-3 5-6	OFF	ON 2-1 5-4	15A	6A	15A	10A	28°	
SW3008A	— — —	DPDT	(ON) 2-3 5-6	OFF	(ON) 2-1 5-4	15A	6A	15A	10A	24°	

Throw & Schematic:

DPDT  2 (COM)

Note: Terminal numbers are actually on the switch.

- * See General Specifications page for approval marking.
- * Wire harness & cable assemblies offered only in Americas.



Maximum Effective Panel Thickness:
 .197" (5.0mm) for SW3006A & SW3008A models;
 .177" (4.5mm) for SW3007A models

SW3006A

GENERAL SPECIFICATIONS FOR SW3800s

Toggles

Rockers

Pushbuttons

Illuminated PB

Programmable

Keylocks

Rotaries

Slides

Tactiles

Tilt

Touch

Indicators

Accessories

Supplement

B Electrical Capacity (Resistive & Inductive Load)

Power Level: Shown in the following tables
 Note: See Supplement section for details of design for inductive DC loads.

Other Ratings

Contact Resistance: 10 milliohms maximum
Insulation Resistance: 1,000 megohms minimum @ 500V DC
Dielectric Strength: 2,000V AC minimum for 1 minute minimum
Mechanical Life: 50,000 operations minimum
Electrical Life: 25,000 operations minimum
Angle of Throw: Shown on following drawings
Nominal Operating Force: 1,800 grams for SW3822
 2,200 grams for SW3823 Off to On
 800 grams for SW3823 On to Off

Materials & Finishes

Rocker: Urea resin; all rockers are white.
Mounting Frame: Steel with chromate plating over zinc plating
Case Cover/Insulator: Phenolic resin
Case: Melamine phenol
Movable Contacts: Copper with silver plating
Stationary Contacts: Silver alloy plus copper with silver plating
Terminals: Brass (terminal screws of brass with nickel plating)

Environmental Data

Operating Temp Range: -10°C through +70°C (+14°F through +158°F)

Standards & Certifications

UL: File No. E44145
 UL or cULus recognition designated beside part numbers on following pages.
 See Supplement section to find UL and cULus rating details.
 Add "/U" to end of part number to order UL mark on switch.
 Add "/CUL" to end of part number to order cULus mark on switch.

CSA: File No. 023535_0_000
 CSA certification designated beside part numbers on following pages.
 See Supplement section to find CSA rating details.
 Add "/C" to end of part number to order CSA mark on switch.

DOUBLE POLE WITH SCREW LUG

Model	* Approvals UL cULus CE			Rocker Position/Connected Terminals					Electrical Capacity							
				Pole	Down		Center	Up		Resistive				Inductive		
					AC 125V	AC 250V	DC 30V	DC 125V	AC 125V PF 0.6	AC 250V PF 0.6						
SW3821	✓	✓	✓	DPST	ON	2-3	5-6	NONE	OFF	—	30A	30A	30A	1A	30A	15A
SW3822	✓	✓	✓	DPDT	ON	2-3	5-6	NONE	ON	2-1 5-4	30A	30A	30A	1A	30A	15A
SW3823	✓	✓	✓	DPDT	ON	2-3	5-6	OFF	ON	2-1 5-4	30A	30A	30A	1A	30A	15A
SW3821D	✓	✓	✓	DPST	ON	2-3	5-6	NONE	OFF	—	—	—	30A	15A	—	—
SW3822D	✓	✓	✓	DPDT	ON	2-3	5-6	NONE	ON	2-1 5-4	—	—	30A	15A	—	—
SW3823D	✓	✓	✓	DPDT	ON	2-3	5-6	OFF	ON	2-1 5-4	—	—	30A	15A	—	—

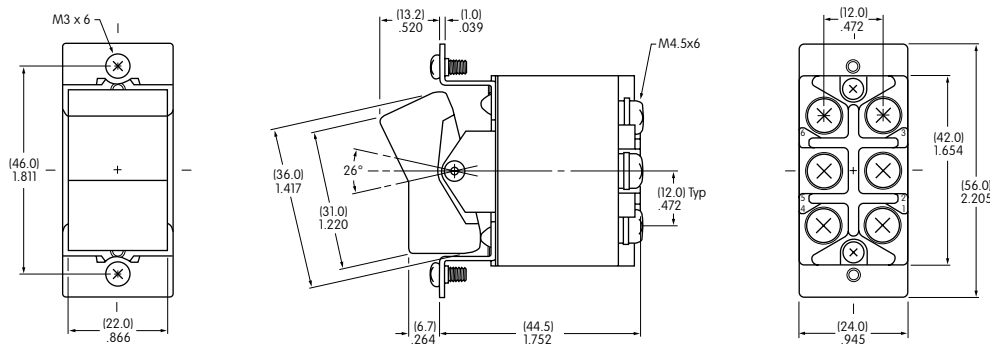
Throw & Schematics:

DPST: 2 (COM) 5, 3 6

DPDT: 2 (COM) 5, 3 6 1 4

Note: Terminal numbers are actually on the switch.

* See General Specifications page for approval marking.



SW3821 & SW3821D do not have terminals 1 & 4.

Maximum Effective Panel Thickness .177" (4.5mm)
Panel cutout shown below.

SW3822

THREE POLE WITH SCREW LUG

Model	* Approvals UL cULus CE			Rocker Position/Connected Terminals					Electrical Capacity								
				Pole	Down		Center	Up		Resistive				Inductive			
					AC 125V	AC 250V	DC 30V	DC 125V	AC 125V PF 0.6	AC 250V PF 0.6							
SW3831	✓	✓	✓	3PST	ON	2-3	5-6	8-9	NONE	OFF	—	30A	30A	30A	1A	30A	15A
SW3832	✓	✓	✓	3PDT	ON	2-3	5-6	8-9	NONE	ON	2-1 5-4 8-7	30A	30A	30A	1A	30A	15A
SW3833	✓	✓	✓	3PDT	ON	2-3	5-6	8-9	OFF	ON	2-1 5-4 8-7	30A	30A	30A	1A	30A	15A
SW3831D	✓	✓	✓	3PST	ON	2-3	5-6	8-9	NONE	OFF	—	—	—	30A	15A	—	—
SW3832D	✓	✓	✓	3PDT	ON	2-3	5-6	8-9	NONE	ON	2-1 5-4 8-7	—	—	30A	15A	—	—
SW3833D	✓	✓	✓	3PDT	ON	2-3	5-6	8-9	OFF	ON	2-1 5-4 8-7	—	—	30A	15A	—	—

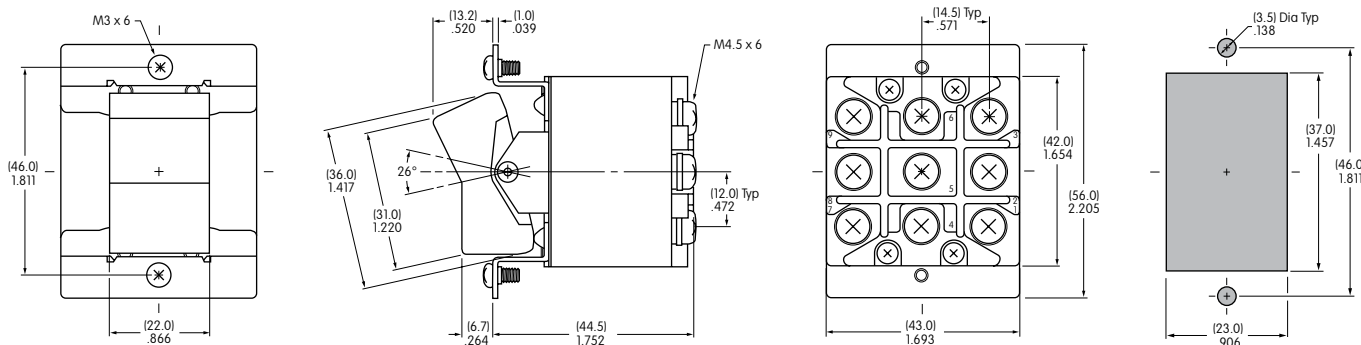
Throw & Schematics:

3PST: 2 5 (COM) 8, 3 6 9

3PDT: 2 5 (COM) 8, 3 6 1 4 9 7

Note: Terminal numbers are actually on the switch.

* See General Specifications page for approval marking.



SW3831 & SW3831D do not have terminals 1, 4 & 7.

Maximum Effective Panel Thickness .177" (4.5mm)