

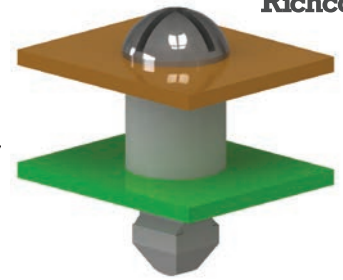
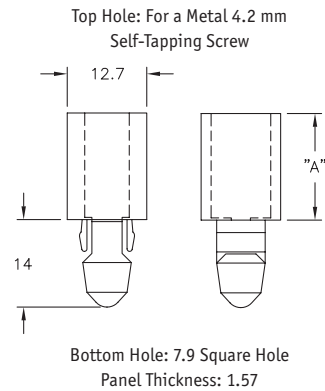
Spacer Nut

SN

Clear Polycarbonate RMS-03



Part Number	"A" Standoff Height	Std Pack Qty
SN-125	3.2	1000
SN-187	4.8	1000
SN-250	6.4	1000
SN-312	8	1000
SN-375	9.5	1000
SN-500	12.7	1000



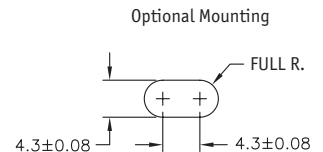
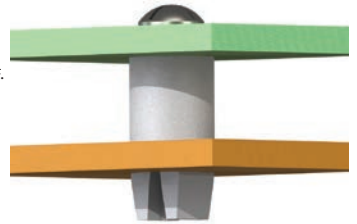
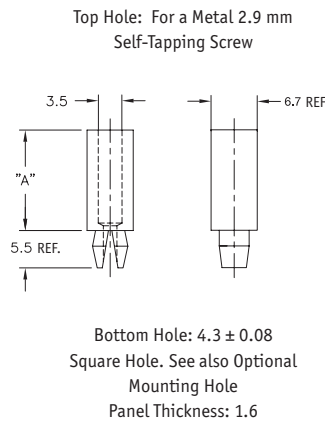
Spacer Nut

MSNE

Natural



Part Number		Dimension	Std Pack Qty
UL94 V2 Nylon 6/6, RMS-01	UL94 V0 Nylon 6/6, RMS-19	"A" Standoff Height	
MSNE-2-01	MSNE-2-19	3.2	1000
MSNE-4M-01	MSNE-4M-19	4	1000
MSNE-3-01	MSNE-3-19	4.8	1000
MSNE-6M-01	MSNE-6M-19	6	1000
MSNE-4-01	MSNE-4-19	6.4	1000
MSNE-5-01	MSNE-5-19	7.9	1000
MSNE-8M-01	MSNE-8M-19	8	1000
MSNE-6-01	MSNE-6-19	9.5	1000
MSNE-10M-01	MSNE-10M-19	10	1000
MSNE-12M-01	MSNE-12M-19	12	1000
MSNE-8-01	MSNE-8-19	12.7	1000
MSNE-10-01	MSNE-10-19	15.9	1000
MSNE-12-01	MSNE-12-19	19.1	1000
MSNE-16-01	MSNE-16-19	25.4	1000



Circuit Board Support Self-Tapping

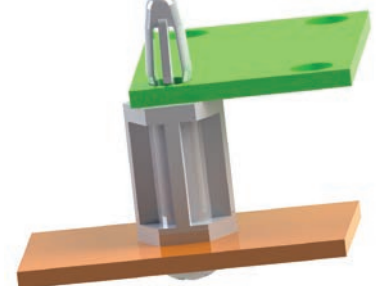
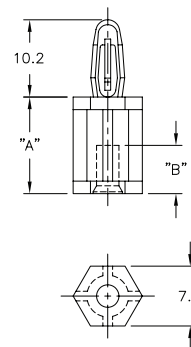
TCBS

Natural



Part Number		Dimension		Std Pack Qty
UL94 V2 Nylon 6/6, RMS-01	UL94 V0 Nylon 6/6, RMS-19	"A" Standoff Height	"B"	
TCBS-4-01	TCBS-4-19	6.4	5.2	1000
TCBS-6-01	TCBS-6-19	9.5	7.9	1000
TCBS-8-01	TCBS-8-19	12.7	7.9	1000
TCBS-10-01	TCBS-10-19	15.9	7.9	1000
TCBS-12-01	TCBS-12-19	19.1	7.9	1000
TCBS-14-01	TCBS-14-19	22.2	7.9	1000
TCBS-16-01	TCBS-16-19	25.4	7.9	1000
TCBS-18-01	TCBS-18-19	28.6	7.9	1000
TCBS-20-01	TCBS-20-19	31.7	7.9	1000
TCBS-22.5-01	TCBS-22.5-19	35.7	7.9	1000

Top Hole: Snap-lock: 4 ± 0.08
Panel Thickness: 1.57



Bottom Hole: For Metal 3.5 mm Self-Tapping Screw