



NTC THERMISTORS: TYPE TK95

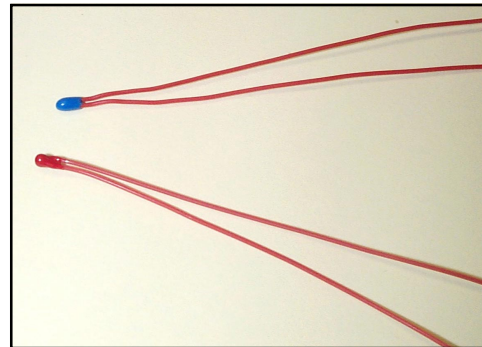
INSULATED LEAD INTERCHANGEABLE CHIP THERMISTOR

DESCRIPTION:

Epoxy coated interchangeable chip thermistor with PTFE insulated nickel lead-wires.

FEATURES:

- Precision, solid state temperature sensor
- Interchangeability down to $\pm 0.1^\circ\text{C}$
- Suitable for use over range of -80°C to $+150^\circ\text{C}$
- High sensitivity greater than $-4\% / ^\circ\text{C}$ at 25°C
- Suitable for temperature measurement, control and compensation
- High stability in humid environments ($40^\circ\text{C}/95\%$ R.H.)
- Most popular R-vs-T curves are available
- Resin coated for good mechanical strength and resistance to solvents
- 0.010" (.25 mm) dia. PTFE insulated lead-wires



DATA:

THERMAL AND ELECTRICAL PROPERTIES:

Dissipation constant: (still air) 1 mW/ $^\circ\text{C}$

..... (stirred oil) 8 mW/ $^\circ\text{C}$

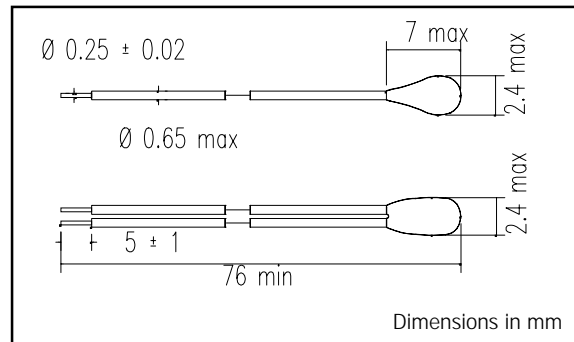
Thermal time constant: (still air) 10 sec.

..... (stirred oil) 1 sec.

Maximum power at 25 $^\circ\text{C}$ 75mW

.. (derated from 100% at 25°C to 0% at 100°C)

DIMENSIONS:



CODING:

R 25 C	Material system	0 C to 70 C $\pm 0.1^\circ\text{C}$	0 C to 70 C $\pm 0.2^\circ\text{C}$	0 C to 100 C $\pm 0.2^\circ\text{C}$
2000	F	TK95F202V	TK95F202W	TK95F202Z
2252	F	TK95F232V	TK95F232W	TK95F232Z
3000	F	TK95F302V	TK95F302W	TK95F302Z
5000	F	TK95F502V	TK95F502W	TK95F502Z
10000	F	TK95F103V	TK95F103W	TK95F103Z
10000	Y	TK95Y103V	TK95Y103W	TK95Y103Z
30000	H	TK95H303V	TK95H303W	TK95H303Z
50000	G	TK95G503V	TK95G503W	TK95G503Z
100000	G	TK95G104V	TK95G104W	TK95G104Z

OPTIONS:

- Other resistance values in the range of 100 Ω - 100k Ω
- Other tolerances or ranges available
- Alternative lead wires or lengths
- Non standard R-vs-T curves
- Controlled dimensions
- Special sensor assemblies or enclosures

Data sheet D-TK-1