

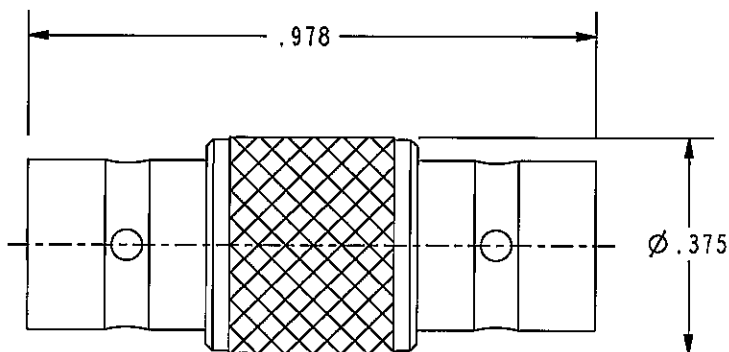
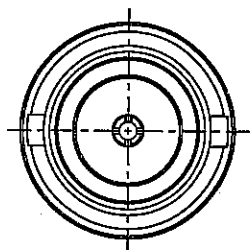
DATA CONTAINED IN THIS DOCUMENT IS PROPRIETARY TO TROMPETER ELECTRONICS INC. AND SHALL NOT BE DISCLOSED, COPIED OR USED FOR PROCUREMENT OR MANUFACTURE WITHOUT EXPRESS WRITTEN PERMISSION.

**REVISIONS**

REV	DESCRIPTIONS	DATE	APPROVED
A	PRODUCTION RELEASE	6/3/04	WJ



SCALE 1/1



**RED INDICATES ORIGINAL**

2. 75 Ω WITHIN SERIES MINI BNC FEED THRU RECEPTACLE

1. FINISH: BODY ASSEMBLY: TFS-1A (NICKEL)  
CONTACT: TFS-1B (GOLD)

NOTES: UNLESS OTHERWISE SPECIFIED.

INTERPRET DRAWING PER MIL-STD-100. DIMENSIONS ARE IN INCHES AND INCLUDE FINISH THICKNESS UNLESS OTHERWISE SPECIFIED.		TOL: UNLESS SPECIFIED. .XX ± .02 .XXX ± .010 ANGLE ± 1°			
DRN	AAH 5-24-04	MATERIAL:	TITLE: UAD258		
CHR	JS/Mash 6/1/04	FINISH:	SIZE	CAGE CODE	DRAWING NO.
QUALITY	WJ 6/3/04		A	14949	1-0619
HANDL	WJ 6/3/04	DO NOT SCALE DWG	SCALE	DATE	REV.
APPROVED	WJ 6/3/04		3/1	6/3/04	A
PROJE FILE NO.	1-0619				SHEET IC