

MICRO SWITCH

FREEMONT ILLINOIS, U.S.A.
A DIVISION OF HONEYWELL
FED. MFG. CODE 91929

SWITCH - BASIC

CATALOG LISTING

V3L-63

5

CQ-A5950

V3L-63

M

DRAWING NUMBER

8

X

4

8

REPLACES

PR-7560

CHECK

REVISIONS

A	CO 36287	SMA 1 OCT 85
B	CO 69205	BAB 3 JAN 91
C	CO 76442	D C S 2 DEC 93

CHECK

DEC 78

DEC 78

DEC 78

DEC 78

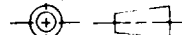
DEC 78

DEC 78

DEC 78

THIS DRAWING COVERS A PROPRIETARY ITEM AND IS THE PROPERTY OF MICRO SWITCH, A DIVISION OF HONEYWELL. THIS DRAWING IS NOT TO BE COPIED OR USED WITHOUT THE APPROVAL OF MICRO SWITCH.

THIRD ANGLE PROJECTION



CHARACTERISTICS	
OPERATING FORCE	----- 8 OZ MAX
RELEASE FORCE	----- 1 OZ MIN
DIFFERENTIAL TRAVEL	----- .032 MAX
OVERTRAVEL	----- .080 MIN
RELEASE TRAVEL	----- .015 MIN

ELECTRICAL DATA

CONTACT ARRANGEMENT
S P D T

L83
15.1A 1/2HP 125 OR 250 VAC
1/2A 125 VDC, 1/4A 250 VDC
5A 125 VAC "L"



SCALE FULL

DO NOT SCALE PRINT

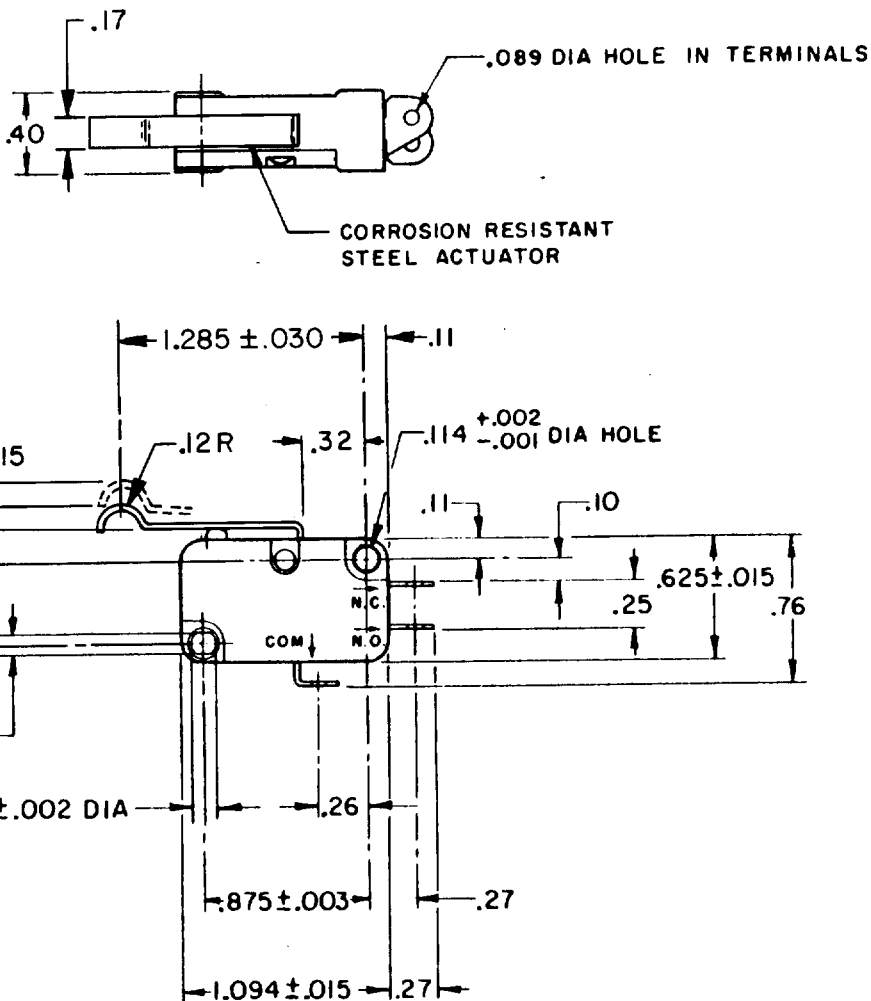
TOLERANCES

APPLY TO DESIGN UNITS. CONVERSIONS ARE ONLY FOR REFERENCE. UNLESS NOTED, TOLERANCES ARE:

DIM.	TOL.	DIM.	TOL.
PLACES	mm/in	PLACES	mm/in
NO PLACES	X	1/04	X X
ONE PLACES	X, X	0.4/0.16	X X X
TWO PLACES	X, XX	0.15/0.06	X X X X
THREE PLACES	X, XXX		X X X X X

DESIGN UNITS SYMMETRIC US CUSTOMARY

WEIGHT



FO-52848-A
DRAWN

J A P 12 DEC 78

Mouser Electronics

Authorized Distributor

Click to View Pricing, Inventory, Delivery & Lifecycle Information:

[Honeywell:](#)

[V3L-63](#)