

# FTDI Chip

## VM800BU Datasheet

### Embedded Video Engine

### Basic USB module



*General Purpose Multi Media Controller*

## 1 Introduction

The VM800BU is a USB controlled development module for FTDI's FT800, which is used to develop and demonstrate the functionality of the FT800 Embedded Video Engine, EVE.

This module interfaces with a system controller via a USB port, accessing an onboard FT232H bridge chip to connect to the FT800 SPI port.

VM800BU modules support 3 different LCD panel size options and are designed for industrial or commercial environments with precision fitted bezels in either black (-BK) or pearl (-PL).

- VM800BU35A-xx is the 3.5" LCD
- VM800BU43A-xx is the 4.3" LCD
- VM800BU50A-xx is the 5.0" LCD

## 1.1 Features

The VM800BU utilises the FTDI FT800 Embedded Video Engine, EVE. Graphic, audio and touch features of the FT800 chip can be accessed with the VM800BU. For a full list of the FT800's features please see the [FT800 datasheet](#). The VM800BU has the following features:

- Integrated QVGA resolution (3.5") or WQVGA resolution (4.3"/5.0") LCD display
- Integrated resistive touch screen LCD panel
- On board LCD backlight LED Driver
- On board audio power amplifier and micro speaker
- FT232H USB interface controller
- Flexible 5V power supply. Powering the VM800BU using either a 2.1mm power jack or USB Micro-B port
- Precision fitted bezel in black(-BK) or pearl (-PL)

## 2 Ordering Information

| Part No.      | Description  |
|---------------|--|
| VM800BU35A-BK | VM800BU module, 3.5 inch TFT LCD display panel preinstalled, black bezel |
| VM800BU43A-BK | VM800BU module, 4.3 inch TFT LCD display panel preinstalled, black bezel |
| VM800BU50A-BK | VM800BU module, 5.0 inch TFT LCD display panel preinstalled, black bezel |
| VM800BU35A-PL | VM800BU module, 3.5 inch TFT LCD display panel preinstalled, pearl bezel |
| VM800BU43A-PL | VM800BU module, 4.3 inch TFT LCD display panel preinstalled, pearl bezel |
| VM800BU50A-PL | VM800BU module, 5.0 inch TFT LCD display panel preinstalled, pearl bezel |
| VA-FC-1M-BKW  | Accessory - Flat USB A to Micro B Cable 1M- Black and White              |
| VA-FC-1M-BLW  | Accessory - Flat USB A to Micro B Cable 1M- Blue and White               |
| VA-FC-STYLUS1 | Accessory - Resistive Touch Screen Pen Stylus                            |

**Table 2-1 – Ordering information**

Note: 3.5" display resolution is 320 x 240 (QVGA).

4.3"/5.0" display resolution is 480 x 272 (WQVGA)

---

## Table of Contents

|          |  |           |
|----------|--|-----------|
| <b>1</b> | <b>Introduction .....</b>                            | <b>1</b>  |
| 1.1      | <b>Features.....</b>                                 | <b>1</b>  |
| <b>2</b> | <b>Ordering Information .....</b>                    | <b>2</b>  |
| <b>3</b> | <b>Hardware Description.....</b>                     | <b>4</b>  |
| 3.1      | <b>VM800BU module.....</b>                           | <b>4</b>  |
| 3.2      | <b>Physical Descriptions .....</b>                   | <b>5</b>  |
| 3.2.1    | PCB layout.....                                      | 5         |
| 3.2.2    | VM800BU Connectors.....                              | 6         |
| <b>4</b> | <b>Board Schematics.....</b>                         | <b>8</b>  |
| <b>5</b> | <b>Hardware Setup Guide.....</b>                     | <b>11</b> |
| 5.1      | <b>Power Configuration .....</b>                     | <b>11</b> |
| 5.2      | <b>MPSSE Setup .....</b>                             | <b>11</b> |
| <b>6</b> | <b>Assembling the Bezel and Panel Mounting .....</b> | <b>13</b> |
| 6.1      | <b>3.5" Dimensions.....</b>                          | <b>14</b> |
| 6.2      | <b>4.3" Dimensions.....</b>                          | <b>15</b> |
| 6.3      | <b>5.0" Dimensions.....</b>                          | <b>16</b> |
| <b>7</b> | <b>Specifications .....</b>                          | <b>17</b> |
| 7.1      | <b>Optical Specification .....</b>                   | <b>17</b> |
| <b>8</b> | <b>Contact Information .....</b>                     | <b>20</b> |
|          | <b>Appendix A - References .....</b>                 | <b>20</b> |
|          | <b>Appendix B - List of Figures and Tables.....</b>  | <b>21</b> |
|          | <b>Appendix C - Revision History.....</b>            | <b>22</b> |

### 3 Hardware Description

Please refer to section 3.2.2 for connector settings. Some VM800BU jumpers must be set to work properly with your system.

#### 3.1 VM800BU module



**Figure 3-1 - VM800BU module profile 3.5" display version**



**Figure 3-2 - VM800BU module profile 4.3" display version**



**Figure 3-3 - VM800BU module profile 5" display version**

NOTE: Also available in pearl.

The VM800BU module is intended for direct use into existing applications that require a display. This module is suitable for interfacing with a system that has a USB Host port.

The VM800BU module is available in multiple options: 3.5, 4.3 or 5.0 inch display options.

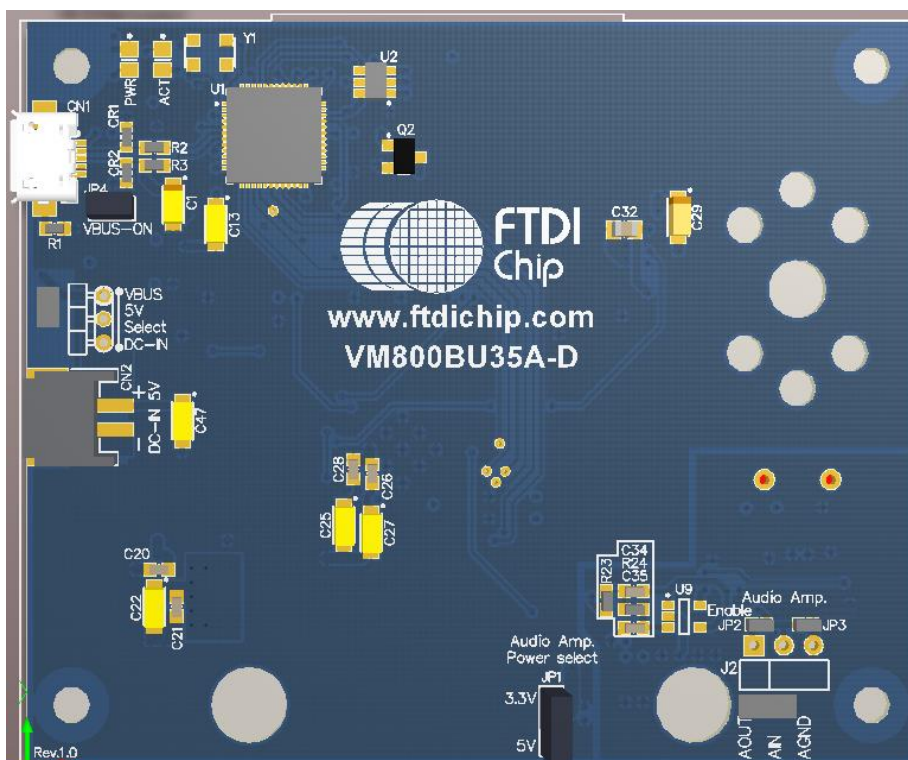
The main functions of the VM800BU are as follows:

- Micro USB connector
- 2-pin connector for power supply
- 3.3V regulator: Takes 5V input and outputs 3.3V for on-board circuits
- LCD touch screen panel
- 3 stage audio filter and power amplifier
- 8Ω speaker
- Audio line out option
- FT232H enabled USB to SPI Bridge
- Precision fitted bezel

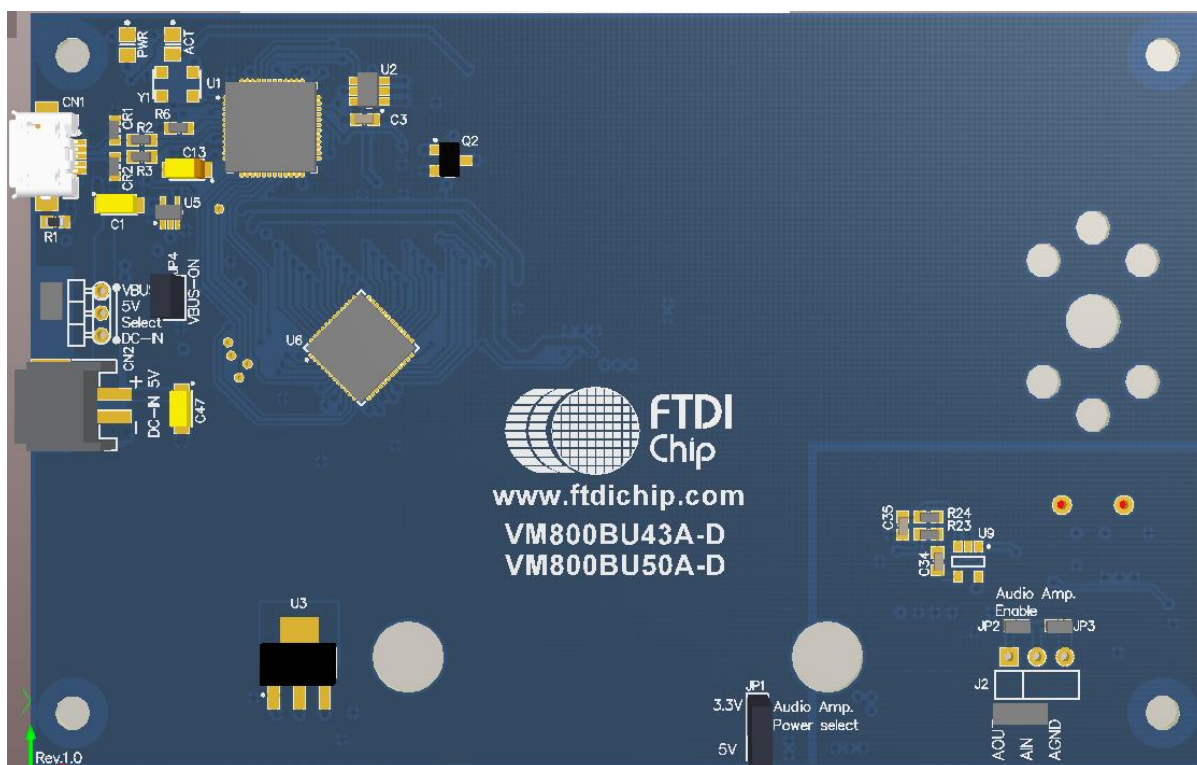
## 3.2 Physical Descriptions

### 3.2.1 PCB layout

The VM800BU module PCB layouts are illustrated in Figure 3-4 and Figure 3-5. Boards are four-layer, approximately 1.6 mm thickness.



**Figure 3-4 - VM800BU module PCB view, 3.5" display version**



**Figure 3-5 - VM800BU module PCB view, 4.3" and 5" display version**

### 3.2.2 VM800BU Connectors

Connectors and jumpers are described in the following sections.

- CN1- Micro USB Receptacle**

This receptacle is for 5V input to power the board. This also has USB functionality.

| Pin No. | Name | Type | Description          |
|---------|------|------|----------------------|
| 1       | VBUS | P    | 5V power supply      |
| 2       | DM   | IO   | Connected to FT232HQ |
| 3       | DP   | IO   | Connected to FT232HQ |
| 4       | NC   | NA   | No connection        |
| 5       | GND  | P    | Ground               |

**Table 3-1 – CN1 Pinout**

- CN2- 2-pin power connector**

2 pin connector for 5V/3.3V power input to the board. Alternative to Micro USB connector.

| Pin No. | Name | Type | Description                |
|---------|------|------|----------------------------|
| 1       | VCC  | P    | 5V or 3.3V DC power supply |
| 2       | GND  | P    | Ground                     |

**Table 3-2 – CN2 Pinout**

- **J2 - Selection between Lineout and loop back into the power amplifier.**

Selection between audio lineout and loop back into the power amplifier.

| Jumper position | Description                 |
|-----------------|-----------------------------|
| Short pin 1-2   | Audio amp enabled (default) |

**Table 3-3 – J2 Pin Options**

- **JP1- Audio Amplifier Power Select**

This jumper provides the option to select the power supply voltage for the on-board power amplifier.

| Jumper position | Description             |
|-----------------|-------------------------|
| Short pin 1-2   | 3.3V selected (default) |
| Short pin 2-3   | 5V selected             |

**Table 3-4 – JP1 Pin options**

\*This needs to be configured before audio can be heard. Default is 3.3V. Select 5V to increase the maximum volume for the speaker.

- **JP2 – On board amplifier enable**

Solder connection not fitted by default.

- **JP3 - On board amplifier mute**

Solder connection not fitted by default. Do not use.

- **JP4 – VBUS ON**

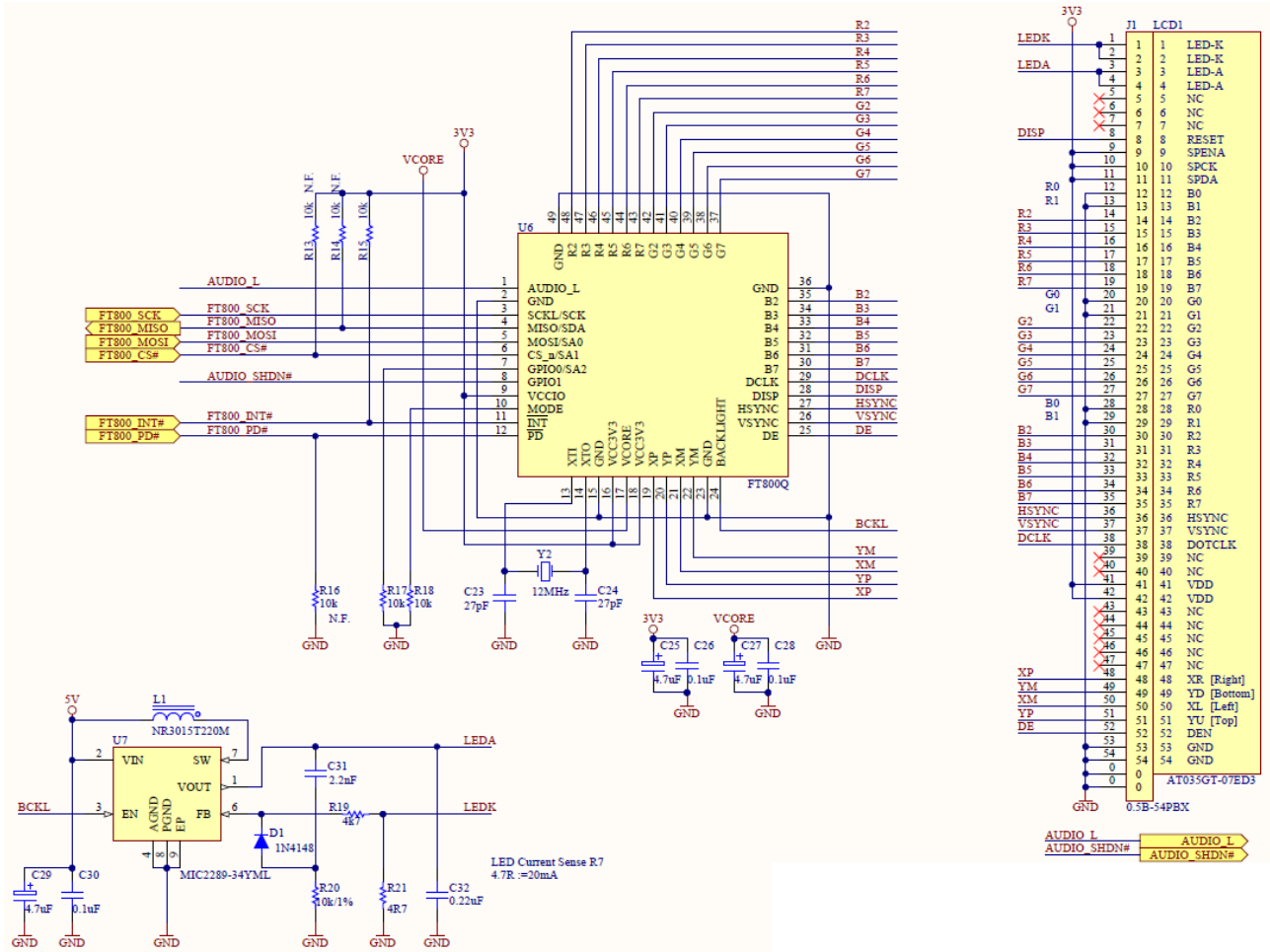
Jumper fitted by default.

- **SW1 – Power source select**

| Jumper position | Description                    |
|-----------------|--------------------------------|
| Short pin 1-2   | Board power from CN1 (default) |
| Short pin 2-3   | Board power from CN2           |

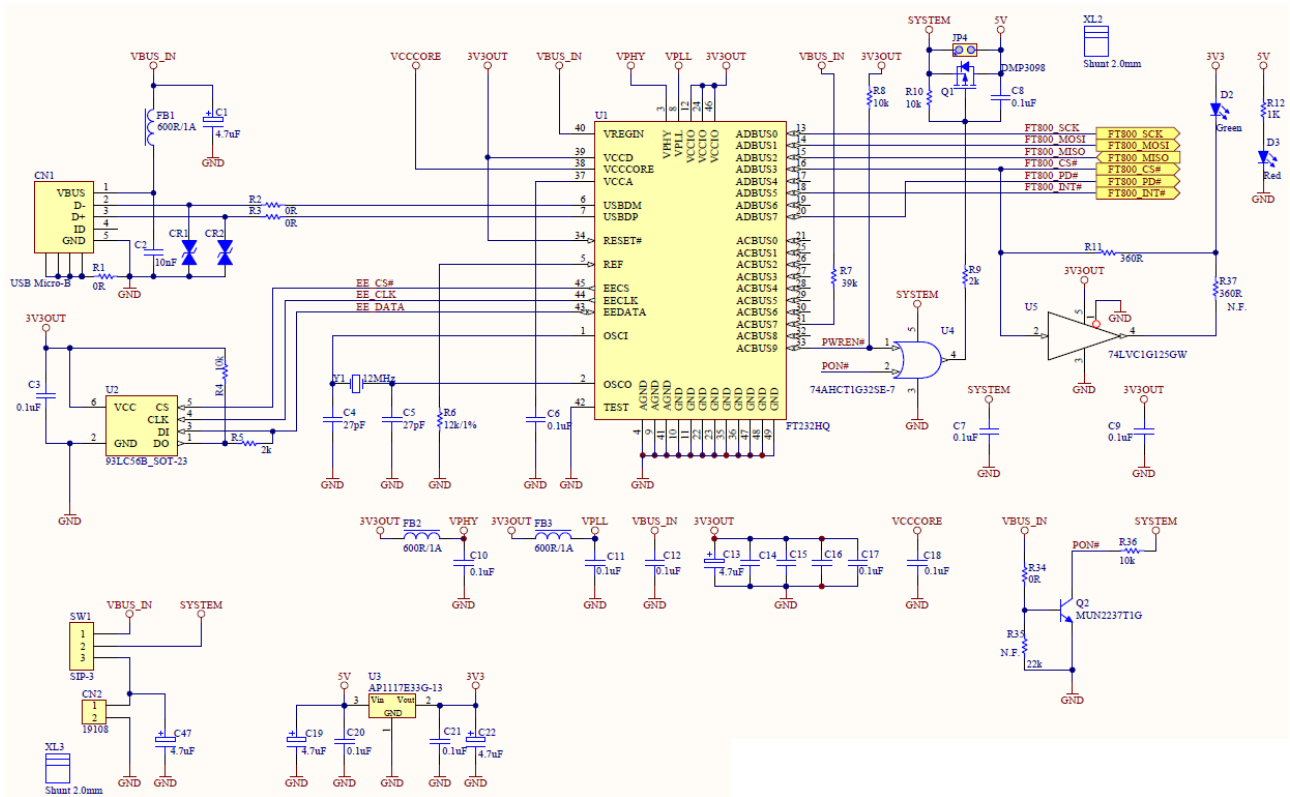
**Table 3-5 – SW1 jumper options**

## 4 Board Schematics

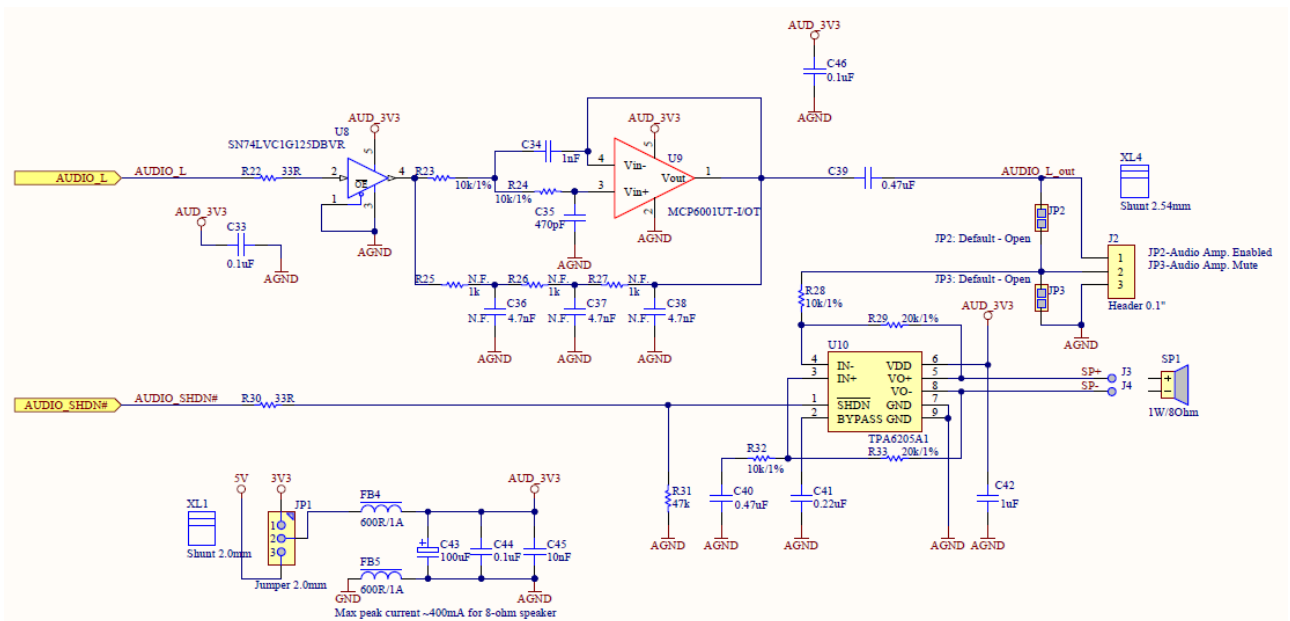


**Figure 4-1 - VM800BU35A LCD Interface (3.5" Version)**





**Figure 4-3 – VM800BU SPI Interface and Power Input**



**Figure 4-4 – VM800BU Audio Circuits**

## 5 Hardware Setup Guide

### 5.1 Power Configuration

There are 2 methods of powering the VM800BU board.

- 1) USB Power(5V) - Connect USB power through micro-USB cable to CN1
- 2) DC IN(5V) - Connect 5V to CN2

The following table summarise how to power the VM800BU board using the various methods.

| Power Method | CN1 | CN2 | SW1           |
|--------------|-----|-----|---------------|
| USB Power    | 5V  | N/C | Short pin 1-2 |
| DC IN(5V)    | N/C | 5V  | Short pin 2-3 |

**Table 5-1 - Board power configuration**

### 5.2 MPSSE Setup

To provide a quick start with the VM800BU development board, Windows based sample projects including source code are provided for users to get a touch and feel experience with the VM800BU. An overview of the process is provided in the following paragraphs with more details in [AN 245 VM800CB SampleAPP PC Introduction](#).

MPSSE is a “multi purpose synchronous serial engine” interface available in some FTDI devices (e.g. FT2232D, FT232H, FT2232H and FT4232H). This engine allows users to bridge from a USB port to an I<sup>2</sup>C or SPI interface. Sample code is available for driving the FT800 over this interface with a FT232H device.

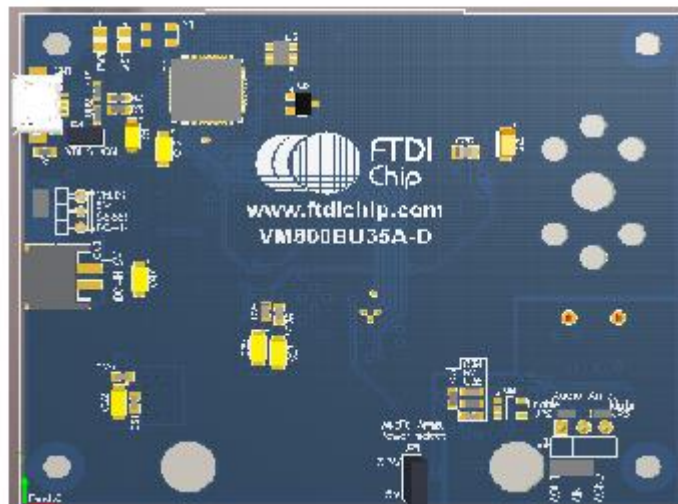


Figure 5-1 – VM800BU Connects to PC through USB.

#### **Hardware Setup**

- Connect a USB cable (suggest FTDI accessory **VA-FC-1M-BKW** or **VA-FC-1M-BLW**) from the VM800BU USB port to the PC USB host port or self-powered hub port.
- The PC or hub will supply power to the VM800BU.

#### **Software Setup**

- Launch the demo application based on MPSSE from the PC.

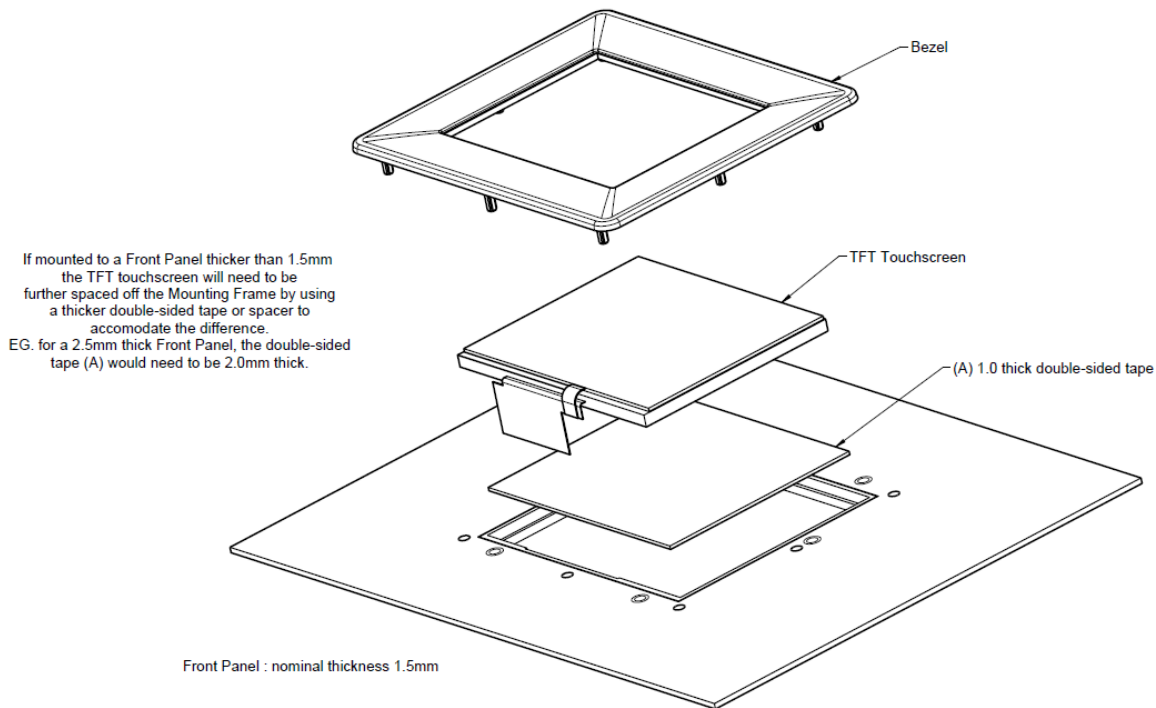
The demo application notes can be found at following link:

[AN\\_245\\_VM800CB\\_SampleAPP\\_PC\\_Introduction](#)

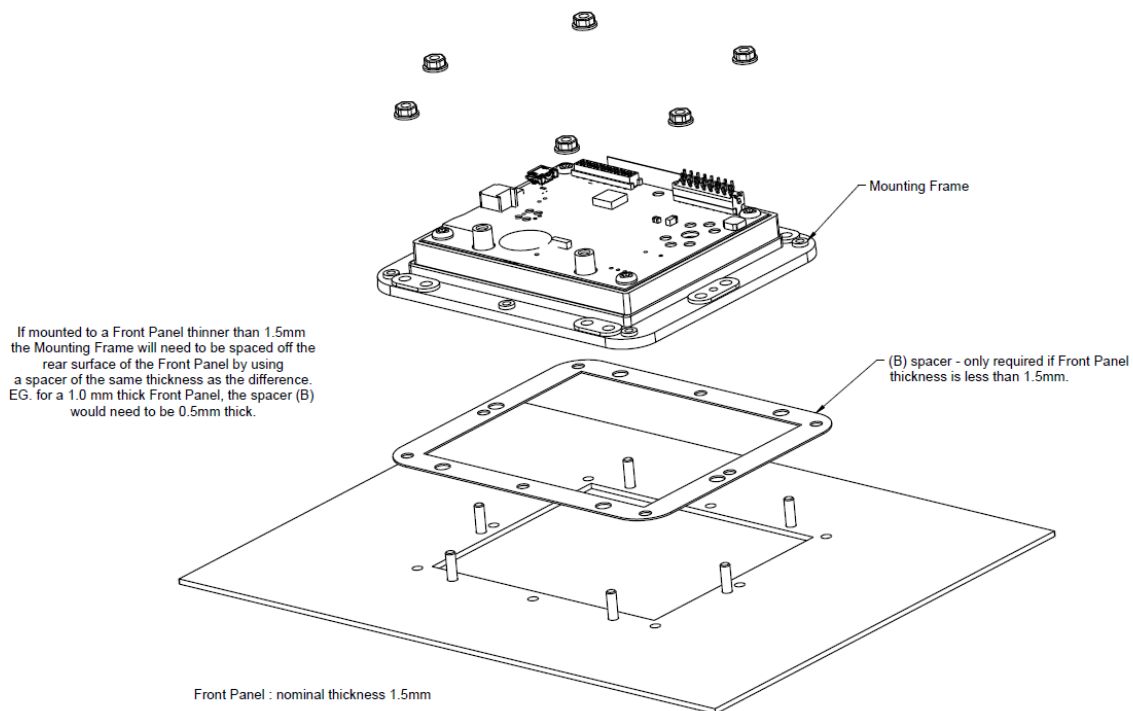
The demo application examples can be downloaded at following link:

[http://www.ftdichip.com/Support/SoftwareExamples/FT800\\_Projects.htm](http://www.ftdichip.com/Support/SoftwareExamples/FT800_Projects.htm)

## 6 Assembling the Bezel and Panel Mounting



**Figure 6-1 - VM800BU Panel Mount (Front view)**

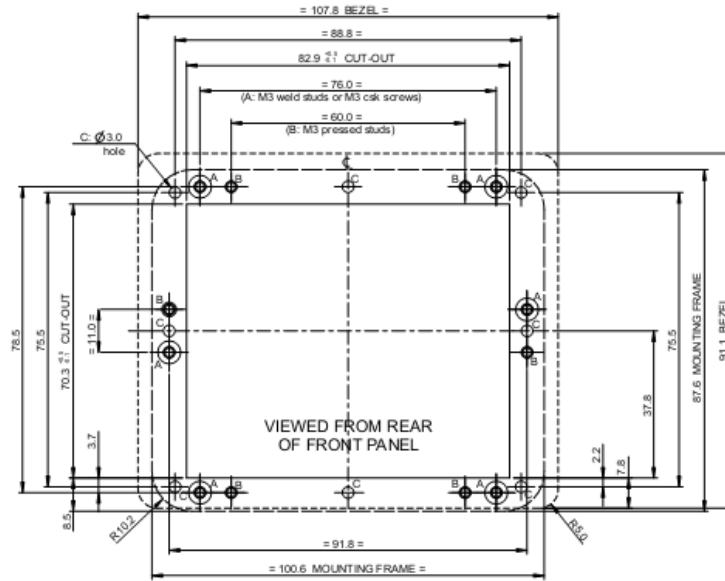


**Figure 6-2 - VM800BU Panel Mount (Rear view)**

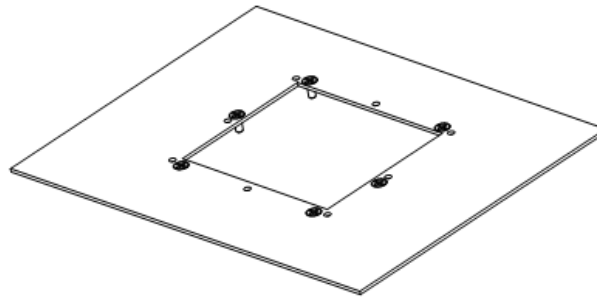
## 6.1 3.5" Dimensions

The TFT Touchscreen Mounting Frame is designed to mount to a 1.5mm thick Front Panel. If mounted to a Front Panel thicker than 1.5mm, longer mounting studs or screws should be used to accommodate the difference.

The Mounting Frame has been designed to work with projection welded studs or csk screws 'A' or press studs 'B'. For a 1.5mm thick Front Panel use -  
M3 x 8 long weld studs,  
M3 x 10 long countersunk screws or  
M3 x 10 long pressed studs



When using countersunk screws to assemble the Mounting Frame, the screws should be located at the 'A' position



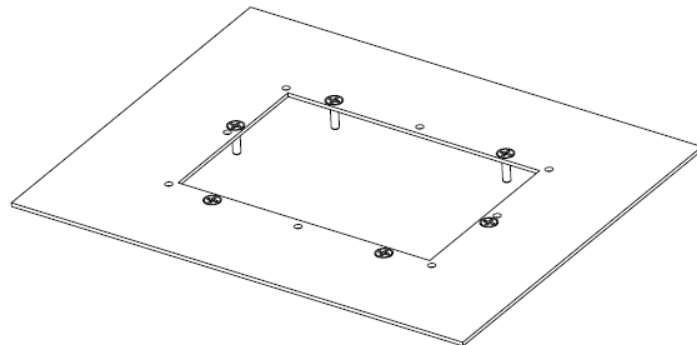
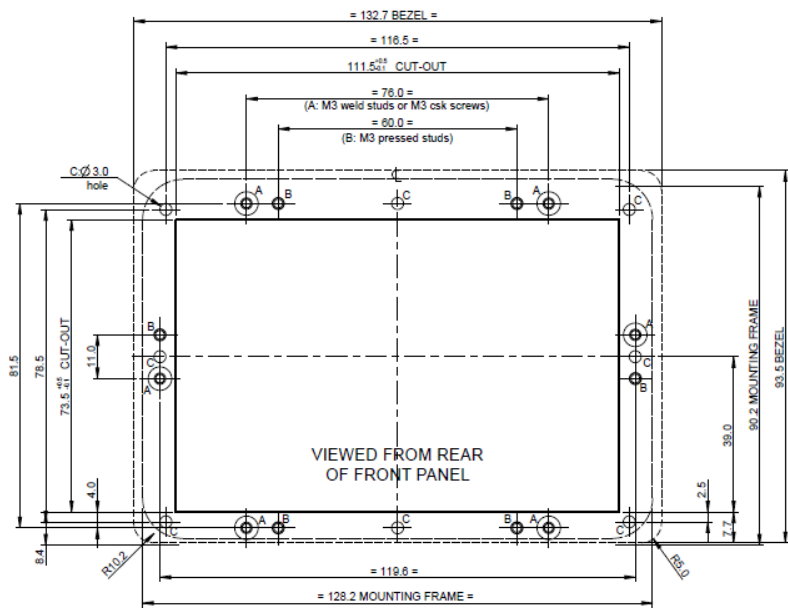
**Figure 6-3 - VM800BU 3.5" panel mount dimensions**

## 6.2 4.3" Dimensions

The TFT Touchscreen Mounting Frame is designed to mount to a 1.5mm thick Front Panel. If mounted to a Front Panel thicker than 1.5mm, longer mounting studs or screws should be used to accommodate the difference.

The Mounting Frame has been designed to work with projection welded studs or csk screws 'A' or press studs 'B'. For a 1.5mm thick Front Panel use -  
M3 x 8 long weld studs,  
M3 x 10 long countersunk screws or  
M3 x 10 long pressed studs

When using countersunk screws to assemble the Mounting Frame, the screws should be located at the 'A' position



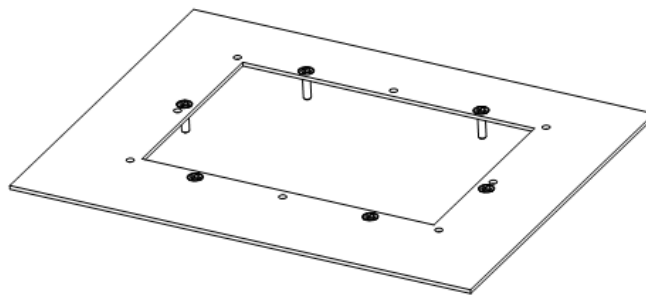
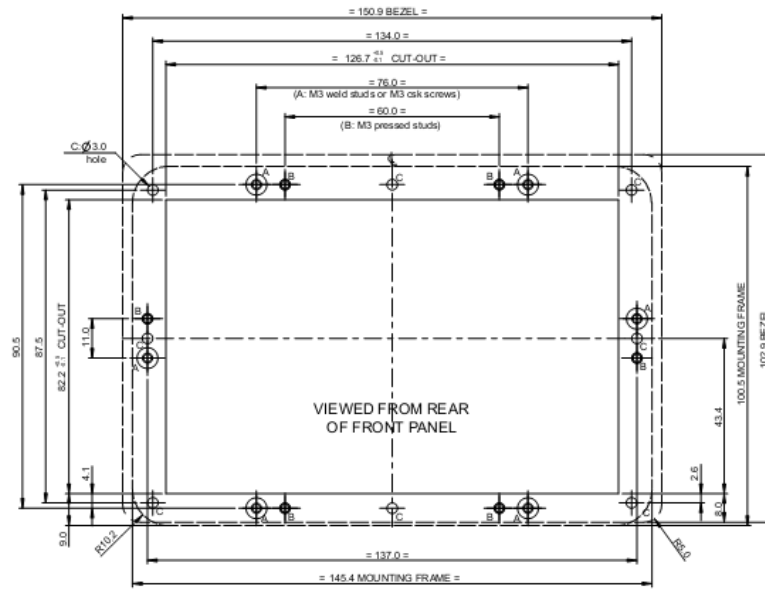
**Figure 6-4 - VM800BU 4.3" panel mount dimensions**

### 6.3 5.0" Dimensions

The TFT Touchscreen Mounting Frame is designed to mount to a 1.5mm thick Front Panel. If mounted to a Front Panel thicker than 1.5mm, longer mounting studs or screws should be used to accommodate the difference.

The Mounting Frame has been designed to work with projection welded studs or csk screws 'A' or press studs 'B'. For a 1.5mm thick Front Panel use -  
M3 x 8 long weld studs,  
M3 x 10 long countersunk screws or  
M3 x 10 long pressed studs

When using countersunk screws to assemble the Mounting Frame, the screws should be located at the 'A' position



**Figure 6-5 - VM800BU 5.0" panel mount dimensions**

## 7 Specifications

### 7.1 Optical Specification

| Item           | Symbol     | Condition          | Min   | Typ.  | Max.  | Unit              |
|----------------|------------|--------------------|-------|-------|-------|-------------------|
| View Angles    | $\theta T$ | $CR \geq 10$       | 30    | 40    |       | Degree            |
|                | $\theta B$ |                    | 50    | 60    |       |                   |
|                | $\theta L$ |                    | 50    | 60    |       |                   |
|                | $\theta R$ |                    | 50    | 60    |       |                   |
| Contrast Ratio | CR         | $\theta = 0^\circ$ |       | 350   |       |                   |
| Response Time  | Ton        | 25°C               |       | 25    | 40    | ms                |
|                | Toff       |                    |       |       |       |                   |
| Chromaticity   | White      | x                  | 0.260 | 0.310 | 0.360 |                   |
|                |            | y                  | 0.283 | 0.333 | 0.383 |                   |
|                | RED        | x                  | 0.574 | 0.624 | 0.674 |                   |
|                |            | y                  | 0.318 | 0.368 | 0.418 |                   |
|                | GREEN      | x                  | 0.300 | 0.350 | 0.400 |                   |
|                |            | y                  | 0.500 | 0.550 | 0.600 |                   |
|                | BLUE       | x                  | 0.093 | 0.143 | 0.193 |                   |
|                |            | y                  | 0.069 | 0.119 | 0.169 |                   |
| Uniformity     | U          |                    | 75    | 80    |       | %                 |
| NTSC           |            |                    |       | 50    |       | %                 |
| Luminance      | L          |                    |       | 500   |       | cd/m <sup>2</sup> |

**Table 7-1 - 3.5" TFT Optical specification**

| Item                    | Symbol         | Condition                          | Min. | Typ. | Max. | Unit              |
|-------------------------|----------------|------------------------------------|------|------|------|-------------------|
| Brightness              | Bp             | $\theta=0^\circ$                   | -    | 350  | -    | Cd/m <sup>2</sup> |
| Uniformity              | $\Delta Bp$    | $\Phi=0^\circ$                     | 70   | 80   | -    | %                 |
| Viewing Angle           | 3:00           | Cr $\geq$ 10                       | -    | 45   | -    | Deg               |
|                         | 6:00           |                                    | -    | 20   | -    |                   |
|                         | 9:00           |                                    | -    | 45   | -    |                   |
|                         | 12:00          |                                    | -    | 40   | -    |                   |
| Contrast Ratio          | Cr             | $\theta=0^\circ$<br>$\Phi=0^\circ$ | 350  | 500  | -    | -                 |
| Response Time           | T <sub>r</sub> |                                    | -    | 10   | -    | ms                |
|                         | T <sub>f</sub> |                                    | -    | 10   | -    | ms                |
| Color of CIE Coordinate | W              | x                                  |      | 0.28 |      | -                 |
|                         |                | y                                  |      | 0.33 |      | -                 |
|                         | R              | x                                  |      | 0.51 |      | -                 |
|                         |                | y                                  |      | 0.34 |      | -                 |
|                         | G              | x                                  |      | 0.31 |      | -                 |
|                         |                | y                                  |      | 0.56 |      | -                 |
|                         | B              | x                                  |      | 0.15 |      | -                 |
|                         |                | y                                  |      | 0.14 |      | -                 |
| NTSC Ratio              | S              |                                    | 50   | 60   | -    | %                 |

**Table 7-2 - 4.3" TFT Optical Specification**

| Item                    | Symbol         | Condition                          | Min.                               | Typ. | Max. | Unit              |
|-------------------------|----------------|------------------------------------|------------------------------------|------|------|-------------------|
| Brightness              | Bp             | $\theta=0^\circ$                   | 200                                | 250  | -    | Cd/m <sup>2</sup> |
| Uniformity              | $\Delta$ Bp    | $\Phi=0^\circ$                     | 70                                 | 80   | -    | %                 |
| Viewing Angle           | 3:00           | Cr $\geq$ 10                       | -                                  | 45   | -    | Deg               |
|                         | 6:00           |                                    | -                                  | 25   | -    |                   |
|                         | 9:00           |                                    | -                                  | 45   | -    |                   |
|                         | 12:00          |                                    | -                                  | 45   | -    |                   |
| Contrast Ratio          | Cr             | $\theta=0^\circ$<br>$\Phi=0^\circ$ | 350                                | 500  | -    | -                 |
| Response Time           | T <sub>r</sub> |                                    | -                                  | 10   | -    | ms                |
|                         | T <sub>f</sub> |                                    | -                                  | 10   | -    | ms                |
| Color of CIE Coordinate | W              | x                                  | $\theta=0^\circ$<br>$\Phi=0^\circ$ | 0.28 | -    | -                 |
|                         |                | y                                  |                                    | 0.33 | -    | -                 |
|                         | R              | x                                  |                                    | 0.51 | -    | -                 |
|                         |                | y                                  |                                    | 0.34 | -    | -                 |
|                         | G              | x                                  |                                    | 0.31 | -    | -                 |
|                         |                | y                                  |                                    | 0.56 | -    | -                 |
|                         | B              | x                                  |                                    | 0.15 | -    | -                 |
|                         |                | y                                  |                                    | 0.14 | -    | -                 |
| NTSC Ratio              | S              | 50                                 | 60                                 | -    | %    |                   |

**Table 7-3 - 5" TFT Optical Specification**

## 8 Contact Information

### Head Office – Glasgow, UK

Unit 1, 2 Seaward Place, Centurion Business Park  
Glasgow G41 1HH  
United Kingdom  
Tel: +44 (0) 141 429 2777  
Fax: +44 (0) 141 429 2758

E-mail (Sales) [sales1@ftdichip.com](mailto:sales1@ftdichip.com)  
E-mail (Support) [support1@ftdichip.com](mailto:support1@ftdichip.com)  
E-mail (General Enquiries) [admin1@ftdichip.com](mailto:admin1@ftdichip.com)

### Branch Office – Tigard, Oregon, USA

7130 SW Fir Loop  
Tigard, OR 97223  
USA  
Tel: +1 (503) 547 0988  
Fax: +1 (503) 547 0987

E-Mail (Sales) [us.sales@ftdichip.com](mailto:us.sales@ftdichip.com)  
E-Mail (Support) [us.support@ftdichip.com](mailto:us.support@ftdichip.com)  
E-Mail (General Enquiries) [us.admin@ftdichip.com](mailto:us.admin@ftdichip.com)

### Branch Office – Taipei, Taiwan

2F, No. 516, Sec. 1, NeiHu Road  
Taipei 114  
Taiwan, R.O.C.  
Tel: +886 (2) 8797 1330  
Fax: +886 (2) 8751 9737

E-mail (Sales) [tw.sales1@ftdichip.com](mailto:tw.sales1@ftdichip.com)  
E-mail (Support) [tw.support1@ftdichip.com](mailto:tw.support1@ftdichip.com)  
E-mail (General Enquiries) [tw.admin1@ftdichip.com](mailto:tw.admin1@ftdichip.com)

### Branch Office – Shanghai, China

Room 1103, No. 666 West Huaihai Road,  
Shanghai, 200052  
China  
Tel: +86 (21) 6235 1596  
Fax: +86 (21) 6235 1595

E-mail (Sales) [cn.sales@ftdichip.com](mailto:cn.sales@ftdichip.com)  
E-mail (Support) [cn.support@ftdichip.com](mailto:cn.support@ftdichip.com)  
E-mail (General Enquiries) [cn.admin@ftdichip.com](mailto:cn.admin@ftdichip.com)

### Web Site

<http://ftdichip.com>

### Distributor and Sales Representatives

Please visit the Sales Network page of the [FTDI Web site](#) for the contact details of our distributor(s) and sales representative(s) in your country.

System and equipment manufacturers and designers are responsible to ensure that their systems, and any Future Technology Devices International Ltd (FTDI) devices incorporated in their systems, meet all applicable safety, regulatory and system-level performance requirements. All application-related information in this document (including application descriptions, suggested FTDI devices and other materials) is provided for reference only. While FTDI has taken care to assure it is accurate, this information is subject to customer confirmation, and FTDI disclaims all liability for system designs and for any applications assistance provided by FTDI. Use of FTDI devices in life support and/or safety applications is entirely at the user's risk, and the user agrees to defend, indemnify and hold harmless FTDI from any and all damages, claims, suits or expense resulting from such use. This document is subject to change without notice. No freedom to use patents or other intellectual property rights is implied by the publication of this document. Neither the whole nor any part of the information contained in, or the product described in this document, may be adapted or reproduced in any material or electronic form without the prior written consent of the copyright holder. Future Technology Devices International Ltd, Unit 1, 2 Seaward Place, Centurion Business Park, Glasgow G41 1HH, United Kingdom. Scotland Registered Company Number: SC136640

## **Appendix A - References**

FT800 datasheet: [DS\\_FT800\\_Embedded\\_Video\\_Engine](#)

FT800 software programming guide: [FT800\\_Programmer\\_Guide](#)

FT800 sample application notes:

[AN\\_245\\_VM800CB\\_SampleAPP\\_PC\\_Introduction](#)

FT800 Software examples:

[http://www.ftdichip.com/Support/SoftwareExamples/FT800\\_Projects.htm](http://www.ftdichip.com/Support/SoftwareExamples/FT800_Projects.htm)

D2xx Programmers Guide:

[http://www.ftdichip.com/Support/Documents/ProgramGuides/D2XX\\_Programmer's\\_Guide\(FT\\_000071\).pdf](http://www.ftdichip.com/Support/Documents/ProgramGuides/D2XX_Programmer's_Guide(FT_000071).pdf)

AN\_108: Command Processor for MPSSE and MCU Host Bus Emulation Modes

[http://www.ftdichip.com/Support/Documents/AppNotes/AN\\_108\\_Command\\_Processor\\_for\\_MPSSE\\_and\\_MCU\\_Host\\_Bus\\_Emulation\\_Modes.pdf](http://www.ftdichip.com/Support/Documents/AppNotes/AN_108_Command_Processor_for_MPSSE_and_MCU_Host_Bus_Emulation_Modes.pdf)

User Guide for libMPSSE – SPI

[http://www.ftdichip.com/Support/Documents/AppNotes/AN\\_178\\_User\\_Guide\\_For\\_LibMPSSE-SPI.pdf](http://www.ftdichip.com/Support/Documents/AppNotes/AN_178_User_Guide_For_LibMPSSE-SPI.pdf)

## Appendix B - List of Figures and Tables

### List of Figures

|  |           |
|--|-----------|
| <b>Figure 3-1 - VM800BU module profile 3.5" display version.....</b>             | <b>4</b>  |
| <b>Figure 3-2 - VM800BU module profile 4.3" display version.....</b>             | <b>4</b>  |
| <b>Figure 3-3 - VM800BU module profile 5" display version.....</b>               | <b>4</b>  |
| <b>Figure 3-4 - VM800BU module PCB view, 3.5" display version .....</b>          | <b>5</b>  |
| <b>Figure 3-5 - VM800BU module PCB view, 4.3" and 5" display version .....</b>   | <b>6</b>  |
| <b>Figure 4-1 - VM800BU35A LCD Interface (3.5" Version) .....</b>                | <b>8</b>  |
| <b>Figure 4-2 - VM800BU43A/VM800BU50A LCD Interface (4.3"/5.0" Version).....</b> | <b>9</b>  |
| <b>Figure 4-3 - VM800BU SPI Interface and Power Input.....</b>                   | <b>10</b> |
| <b>Figure 4-4 - VM800BU Audio Circuits .....</b>                                 | <b>10</b> |
| <b>Figure 5-1 - VM800BU Connects to PC through USB.....</b>                      | <b>12</b> |
| <b>Figure 6-1 - VM800BU Panel Mount (Front view) .....</b>                       | <b>13</b> |
| <b>Figure 6-2 - VM800BU Panel Mount (Rear view).....</b>                         | <b>13</b> |
| <b>Figure 6-3 - VM800BU 3.5" panel mount dimensions.....</b>                     | <b>14</b> |
| <b>Figure 6-4 - VM800BU 4.3" panel mount dimensions.....</b>                     | <b>15</b> |
| <b>Figure 6-5 - VM800BU 5.0" panel mount dimensions.....</b>                     | <b>16</b> |

### List of Tables

|   |           |
|---|-----------|
| <b>Table 2-1 - Ordering information .....</b>           | <b>2</b>  |
| <b>Table 3-1 - CN1 Pinout.....</b>                      | <b>6</b>  |
| <b>Table 3-2 - CN2 Pinout.....</b>                      | <b>6</b>  |
| <b>Table 3-3 - J2 Pin Options.....</b>                  | <b>7</b>  |
| <b>Table 3-4 - JP1 Pin options .....</b>                | <b>7</b>  |
| <b>Table 3-5 - SW1 jumper options .....</b>             | <b>7</b>  |
| <b>Table 5-1 - Board power configuration .....</b>      | <b>11</b> |
| <b>Table 7-1 - 3.5" TFT Optical specification .....</b> | <b>17</b> |
| <b>Table 7-2 - 4.3" TFT Optical Specification .....</b> | <b>18</b> |
| <b>Table 7-3 - 5" TFT Optical Specification.....</b>    | <b>19</b> |

## Appendix C – Revision History

Document Title: DS\_VM800BU EVE  
Document Reference No.: FT\_001026  
Clearance No.: FTDI#404  
Product Page: <http://www.ftdichip.com/eve.htm>  
Document Feedback: [Send Feedback](#)

**Version 1.0** Initial Datasheet released

29/07/14

# Mouser Electronics

Authorized Distributor

Click to View Pricing, Inventory, Delivery & Lifecycle Information:

## BridgeTek:

[VA-FC-1M-BKW](#) [VA-FC-1M-BLW](#) [VM800BU35A-PL](#) [VM800BU50A-BK](#) [VM800BU50A-PL](#) [VM800BU35A-BK](#)  
[VM800BU43A-PL](#) [VM800BU43A-BK](#)