



**sifam tinsley**  
PRECISION INSTRUMENTATION



Multifunction Meters

Transducers & Isolators

Temperature Controllers

Converters & Recorders

Digital Panel Meters

Current Transformers

Analogue Panel Meters

Shunts

Digital Multimeters

Clamp Meters

Insulation Testers

## CURRENT TRANSFORMERS

Powered by technology  
...driven by service



# Current Transformers - Contents

## OMEGA 3 Phase

4-5



Three phase measuring current transformers suitable for primary ranges from 60A to 630A with 5A secondary. Allowing installations directly next to the moulded case circuit breakers for greater speed of installation and optimisation of space.

## OMEGA XMER Moulded Case Range

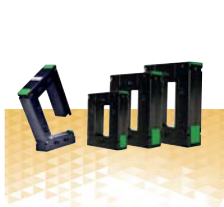
6-22



OMEGA XMER CT's are square type and encapsulated with UL94V-0 approved polycarbonate. These metering CT's feature sealable terminal covers and a wide range of primary current ratings. Available in various, Bus bar sizes, case widths, and mounting options.

## OMEGA Split Core Omega 10

23-25



OMEGA 10 (Split Core CT's) Omega series split core transformers offer a cost effective and efficient method by which the current can be measured without the need to break the conductor, thereby reducing installation and commissioning time.

## XMER Moulded Case Range XMER Class 0.25

26-37



OMEGA XMER CT's are square type and encapsulated with UL94V-0 approved polycarbonate. These metering CT's feature sealable terminal covers and a wide range of primary current ratings for use of tariff metering. Available in various, Bus bar sizes, case widths, and mounting options.

## OMEGA Ring Type Omega 20 (TW CT's)

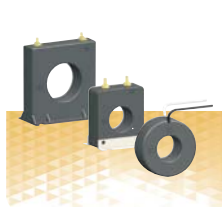
38-41



OMEGA 20 (TW CT's) Sifam Tinsley's Omega TW series round type CT's are housed in robust case with classical finish. The case is made of polycarbonate, which is flame retardant and non-drip and conforms to international regulations UL 94 V-0.

## OMEGA Ansi Type

42-52



The ANSI metering class transformers are intended for power monitoring applications where high accuracy and minimum phase angle error are required. They are specially designed to be compliant with relevant ANSI standards.

## LTRC Series - Resin Cast

53-54



LTRC Series - Resin Cast CT's are Epoxy Resin type with Insulation Class E (120°C). These LV metering CT's feature sealable terminal covers and primary current ratings from 100A to 1200A. Available in various, Bus bar sizes, case widths, and with foot mounting facility.

View our full range online  
[www.sifamtinsley.co.uk](http://www.sifamtinsley.co.uk)

# Current Transformers Range

**Current Transformers Range**

**Applications**

- Switchgear
- Distribution systems
- Generator sets
- Control panels
- Energy management
- Building management
- Utility power monitoring
- Process control
- Motor control

Sifam Tinsley offers an extensive range of single phase and three phase current transformers providing a vast array of system primary ratings, apertures, model variants and accuracies to the industry's standards in-order to suit every applications need.

Moulded case Measuring and Protection, Toroidal, Summation, Core balanced, Resin Cast, Split core, 3 Phase Moulded Case and high accuracy (Class 0.2S) Moulded case for tariff metering.



## Polycarbonate case having UL 94 V-0

Sifam Tinsley's CTs are housed in robust case with classical finish. The case is made of polycarbonate, which is flame retardant and non-drip and confirms to international regulations UL 94 V-0. Polycarbonate is a very tough and light weight engineering plastic material which has got the best mechanical properties very close to a metallic housing.

## Some important terms used in CTs

**Current error (Ratio error) :-** The error with a transformer introduces into the measurement of current and which arises from the fact that actual transformation ratio is not equal to the rated transformation ratio.

**Phase Displacement :-** The difference in phase between the primary and secondary current vectors, the direction of the vectors being so chosen that the angle is zero for the perfect transformer. The phase displacement is said to be positive when the secondary current vector leads the primary current vector. It is usually expressed in minutes.

**Composite error :-** Composite error is the resulting limitation of the harmonic content of the secondary current which is necessary for the correct operation of certain types of relays.

**Accuracy Class :-** A designation assigned to a current transformer the errors of which remain within specified limit under prescribed conditions of use.

**Rated Burden :-** The impedance of the secondary circuit on which the accuracy requirements are based. It is usually expressed as apparent power (in VA), at the rated secondary current and at a specified power factor.

**Rated Output :-** The value of the apparent power (in volt-amperes at a specified power factor) which the current transformer is intended to supply to the secondary circuit at the rated secondary current and with rated burden connected to it.

Features given vary from product to product - for more detailed product specific info please visit our website [www.sifamtinsley.co.uk](http://www.sifamtinsley.co.uk)

**Highest System Voltage :-** The highest rms line to line voltage which can be sustained under normal operating conditions at any time and at any point on the system. It excludes temporary voltage variations due to fault condition and the sudden disconnection of large loads.

**Rated Insulation level :-** That combination of voltage values (power frequency and lightning impulse, or where applicable, lightning and switching impulse) which characterizes the insulation of a transformer with regard to its capability to withstand by dielectric stresses. For low voltage transformer the test voltage 4kV, at power-frequency, applied during 1 minute.

**Rated short time thermal current (with) :-** The rms value of the primary current which the current transformer will withstand for a rated time, with their secondary winding short circuited without suffering harmful effects.

**Rated dynamic current (Idyn) :-** The peak value of the primary current which a current transformer will withstand, without being damaged electrically for mechanically by the resulting electromagnetic forces, the secondary winding being short-circuited.

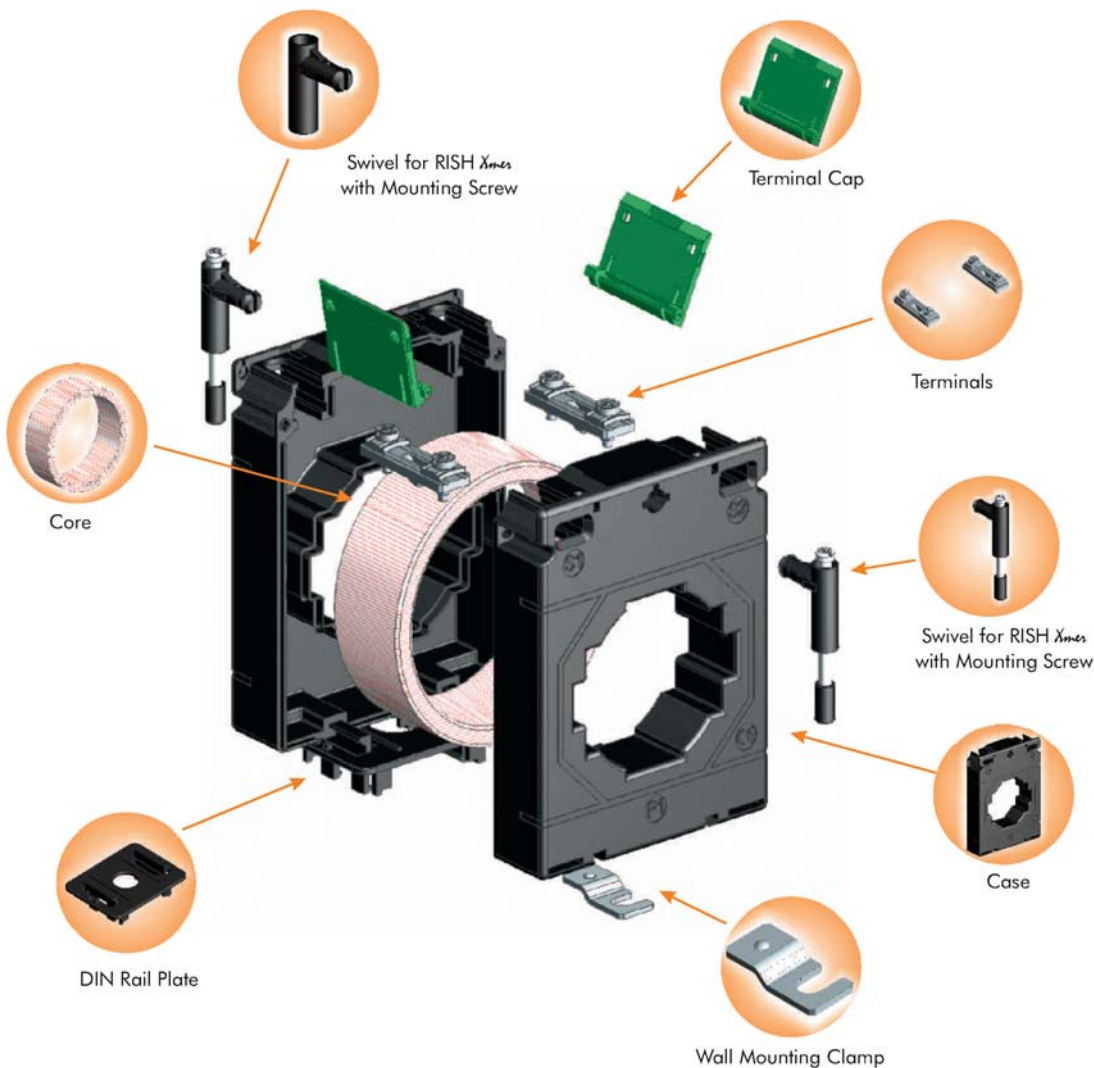
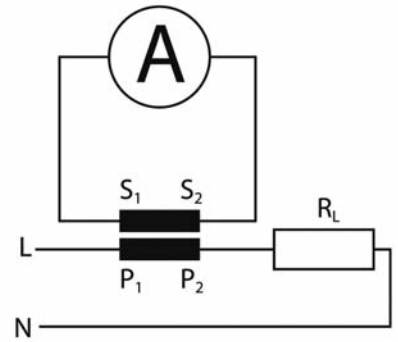
**Rated continuous thermal current :-** The value of current which can be permitted to flow continuously in the primary winding, the secondary windings being connected to the rated burdens, without the temperature rise exceeding the specified values.

**Instrument Security Factor (ISF) :-** The ratio of rated instrument limit primary current to the rated primary current. The times that the primary current must be higher than the rated value, for the composite error of a measuring current transformer to be equal to or greater than 10%, the secondary burden being equal to the rated burden. The lower this number is, the more protected the connected instrument are against.

### Approvals

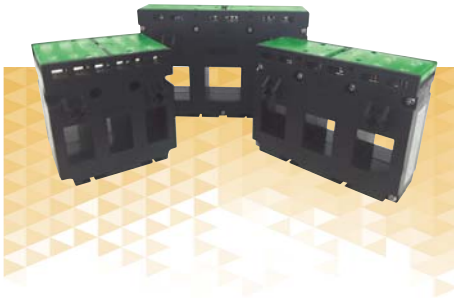


### Wiring Diagram





# OMEGA 3 Phase



Three phase measuring current transformers suitable for primary ranges from 60A to 630A with 5A secondary. Allowing installations directly next to the moulded case circuit breakers for greater speed of installation and optimisation of space.

Applicable to MCCB such as Manufacturers: ABB, Hager, Dorman Smith, Schneider, Terasaki, Merlin Gerlin, Chint, Legrand plus many more.

## Specifications

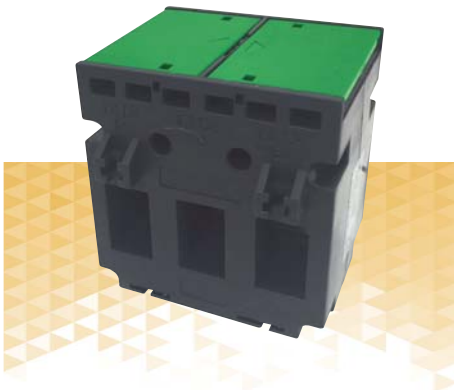
High quality 3 Phase Current Transformers

- System voltage 720V 50-60Hz
- Primary currents 60 to 630 Amps AC
- Test voltage 3kV for 1 minute
- Thermal short circuit current (I<sub>th</sub>) 60 x I<sub>n</sub>
- Dynamic short circuit current (I<sub>dyn</sub>) 2.55 x I<sub>th</sub>
- Flame retardant polycarbonate UL94V-0
- International standards IEC/EN 60044-1 / IEC 61869-1, IEC 61010-2
- DIN rail, bus bar or base mounting
- 3 sizes: 15 x 25mm, 21 x 25mm & 31 x 31mm apertures
- Cable apertures from 15.5mm to 31mm
- Accuracy Class 1

### Features

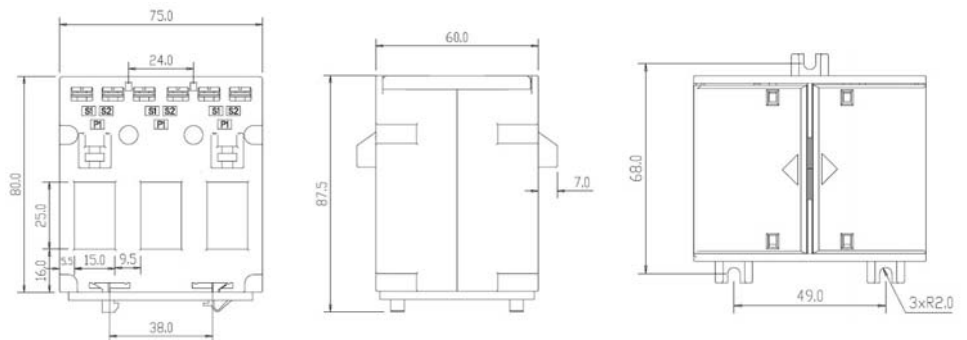
- Wire sealable terminal covers
- Cost effective 3 phase case design
- Various mounting option, Din rail, Busbar or Base mounting
- Secondary terminals combined slot/posi M4 Screws
- Case Material Self-extinguishing classification VO according to UL-94.

# XN25



Part Number	CT Ratio	Weight kgs	VA Class 1	Dimensions
XN25-145011S000000	60/5A	0.6	1	3 x (15 x 25mm) width 76mm
XN25-185031S000000	100/5A	0.6	1.5	3 x (15 x 25mm) width 76mm
XN25-205031S000000	125/5A	0.6	1.5	3 x (15 x 25mm) width 76mm
XN25-225031S000000	150/5A	0.6	1.5	3 x (15 x 25mm) width 76mm
XN25-235031S000000	160/5A	0.6	1.5	3 x (15 x 25mm) width 76mm

## Dimensions



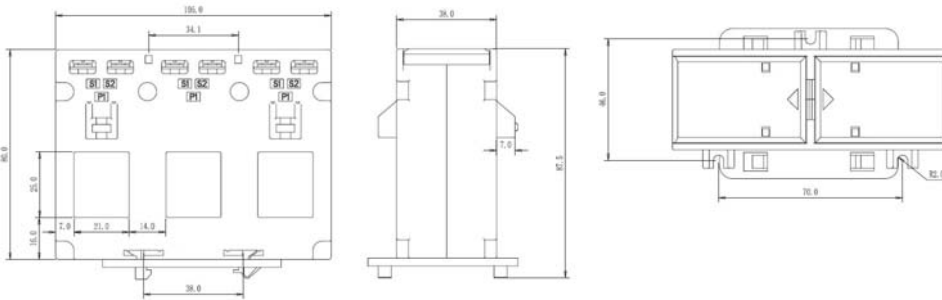
All dimensions are in mm

Features given vary from product to product - for more detailed product specific info please visit our website [www.sifamtinsley.co.uk](http://www.sifamtinsley.co.uk)

## XN35

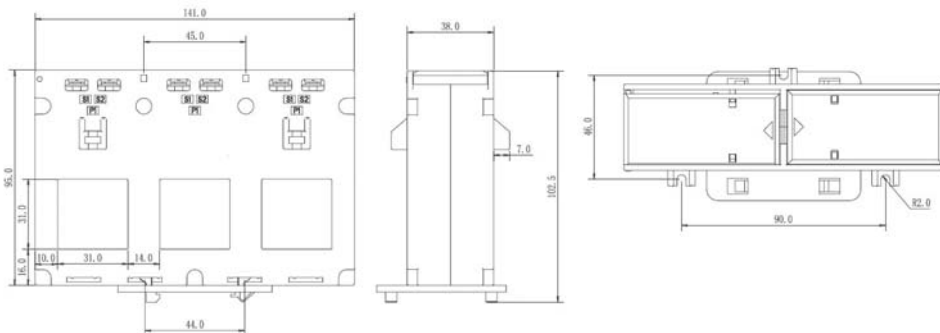
Part Number	CT Ratio	Weight kgs	VA Class 1	Dimensions
XN35-145031S 000000	60/5A	0.4	1.5	3 x (21 x 25 mm) width 105mm
XN35-185031S 000000	100/5A	0.4	1.5	3 x (21 x 25 mm) width 105mm
XN35-205031S 000000	125/5A	0.4	1.5	3 x (21 x 25 mm) width 105mm
XN35-225031S 000000	150/5A	0.4	1.5	3 x (21 x 25 mm) width 105mm
XN35-235031S 000000	160/5A	0.4	1.5	3 x (21 x 25 mm) width 105mm
XN35-245031S 000000	200/5A	0.4	1.5	3 x (21 x 25 mm) width 105mm
XN35-275031S 000000	250/5A	0.4	1.5	3 x (21 x 25 mm) width 105mm

### Dimensions



Part Number	CT Ratio	Weight kgs	VA Class 1	Dimensions
XN45-275031S 000000	250/5A	0.65	1.5	3 x (31 x 31 mm) width 141mm
XN45-285051S 000000	300/5A	0.65	2.5	3 x (31 x 31 mm) width 141mm
XN45-315051S 000000	400/5A	0.65	2.5	3 x (31 x 31 mm) width 141mm
XN45-325051S 000000	500/5A	0.65	2.5	3 x (31 x 31 mm) width 141mm
XN45-335051S 000000	600/5A	0.65	2.5	3 x (31 x 31 mm) width 141mm
XN45-345051S 000000	630/5A	0.65	2.5	3 x (31 x 31 mm) width 141mm

### Dimensions



# OMEGA XMER



## OMEGA XMER

OMEGA XMER CT's are square type and encapsulated with UL94V-0 approved polycarbonate. These metering CT's feature sealable terminal covers and a wide range of primary current ratings. Available in various, Bus bar sizes, case widths, and mounting options.

### Specifications

- Primary current 5A to 7500A
- Secondary current 1A or 5A
- Accuracy class 0.5 and 1 (on request 0.2) and see page 26 for Class 0.2S
- Over current limiting factor FS5, FS10, FS15
- Rated frequency 50Hz or 60Hz
- Rated continuous thermal current (standard) 1,2 x in
- Rated short time thermal current with 60 x in, 1 s (Max 40kA)
- Rated isolation level 0.72/3 kV or 0.72/4 kV
- Altitude up to 2000 m
- Degree of protection IP20
- Degree of pollution 2
- Ambient temperature -5°C to + 55°C (0-95% relative humidity, non condensing!)
- Storage temperature -25°C to + 70°C
- Applied standards IEC 60044-1 / IEC 61869-1 : Performance, IEC - 61010 - 2 : Safety.

### Features

- Comprehensive class accuracy
- Cost effective moulded case current transformer
- Various mounting options including wall mounting, cable mounting, bus bar mounting and DIN rail mounting
- Available in 0.2 & 0.2s accuracy class
- Wire sealable terminal covers

# LCTM 62/W



## LCTM 62/W (62mm wide x 40mm deep)

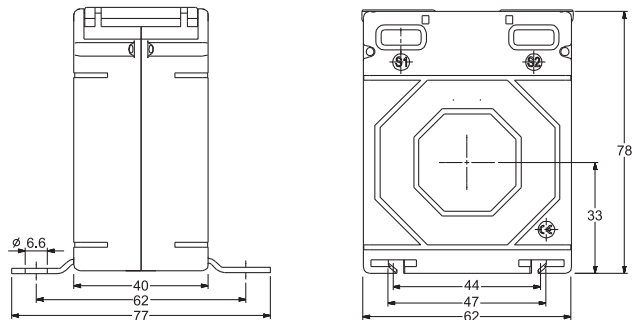
Cat No.	Ratio	VA at CL 0.5
XW01-045055S000000	5/5A	2.5VA
XW01-065055S000000	10/5A	2.5VA
XW01-075055S000000	15/5A	2.5VA
XW01-085055S000000	20/5A	2.5VA
XW01-105055S000000	30/5A	2.5VA

Primary Ratios available from 1A to 30A

Cat No.	Ratio	VA at CL 1.0
XW01-045081S0000000	5/5A	5VA
XW01-065081S0000000	10/5A	5VA
XW01-075081S0000000	15/5A	5VA
XW01-085081S0000000	20/5A	5VA
XW01-105081S0000000	30/5A	5VA

Primary Ratios available from 1A to 30A

### Dimensions



All dimensions are in mm.

NOTE: Please consult Sifam Tinsley on 1A secondary for availability.

Features given vary from product to product - for more detailed product specific info please visit our website [www.sifamtinsley.co.uk](http://www.sifamtinsley.co.uk)



## LCTR 45/21



### LCTR 45/21 (45mm wide x 40mm deep x (21 x 10mm) I.D.)

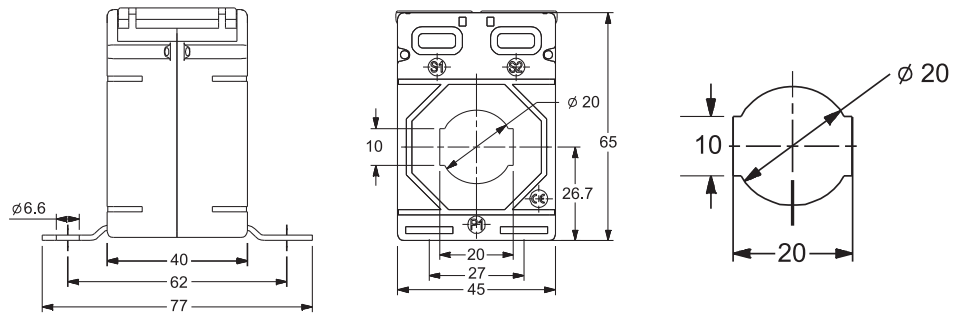
Cat No.	Ratio	VA at CL 0.5
XM02-175015S000000	80/5A	1VA
XM02-185035S000000	100/5A	1.5VA
XM02-205055S000000	125/5A	2.5VA
XM02-225055S000000	150/5A	2.5VA
XM02-245075S000000	200/5A	3.75VA
XM02-275075S000000	250/5A	3.75VA
XM02-285085S000000	300/5A	5VA
XM02-315085S000000	400/5A	5VA

Primary Ratios available from 80A to 400A

Cat No.	Ratio	VA at CL 1.0
XM02-135031S000000	50/5A	1.5VA
XM02-145031S000000	60/5A	1.5VA
XM02-175051S000000	80/5A	2.5VA
XM02-185071S000000	100/5A	3.75VA
XM02-205071S000000	125/5A	3.75VA
XM02-225071S000000	150/5A	3.75VA
XM02-245081S000000	200/5A	5VA
XM02-275081S000000	250/5A	5VA
XM02-285081S000000	300/5A	5VA
XM02-315081S000000	400/5A	5VA

Primary Ratios available from 50A to 400A

### Dimensions



## LCTR 50/14 (30)



### LCTR 50/14 (50mm wide x 30mm deep x (14mm) I.D.)

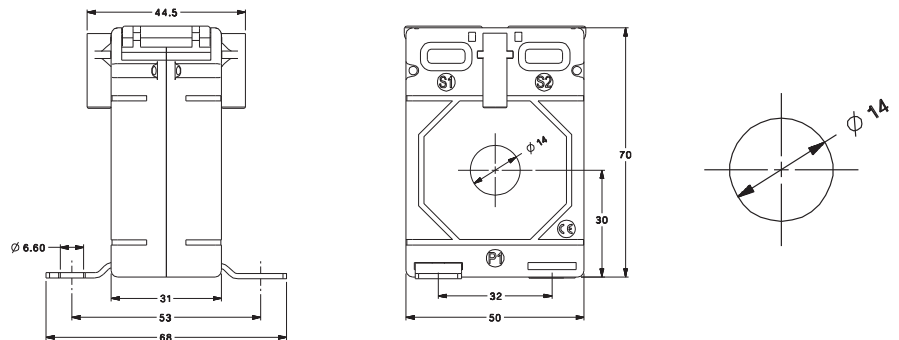
Cat No.	Ratio	VA at CL 0.5
XM03-185055S000000	100/5A	2.5VA
XM03-205055S000000	125/5A	2.5VA
XM03-225075S000000	150/5A	3.75VA
XM03-245075S000000	200/5A	3.75VA
XM03-275085S000000	250/5A	5VA
XM03-285105S000000	300/5A	7.5VA

Primary Ratios available from 100A to 300A

Cat No.	Ratio	VA at CL 1.0
XM03-115011S000000	40/5A	1VA
XM03-135031S000000	50/5A	1.5VA
XM03-145031S000000	60/5A	1.5VA
XM03-175031S000000	80/5A	1.5VA
XM03-185071S000000	100/5A	3.75VA
XM03-205071S000000	125/5A	3.75VA
XM03-225081S000000	150/5A	5VA
XM03-245081S000000	200/5A	5VA
XM03-275101S000000	250/5A	7.5VA
XM03-285101S000000	300/5A	7.5VA

Primary Ratios available from 40A to 300A

### Dimensions



All dimensions are in mm.

NOTE: Please consult Sifam Tinsley on 1A secondary for availability.

Features given vary from product to product - for more detailed product specific info please visit our website [www.sifamtinsley.co.uk](http://www.sifamtinsley.co.uk)

## LCTR 50/21 (50)



### LCTR 50/21 (50) (50mm wide x 50mm deep x (21 x 10mm) I.D.)

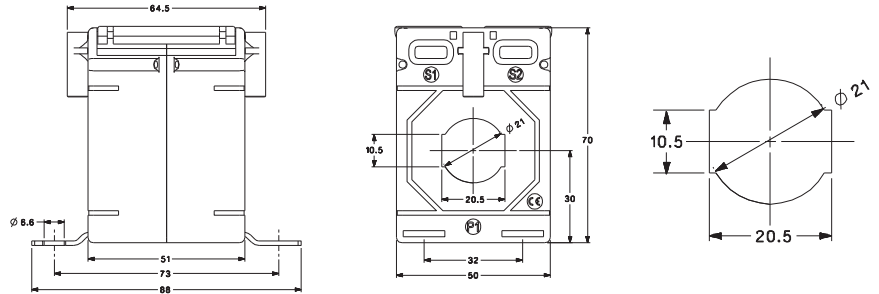
Cat No.	Ratio	VA at CL 0.5
XM06-135015S000000	50/5A	1VA
XM06-145015S000000	60/5A	1VA
XM06-175055S000000	80/5A	2.5VA
XM06-185055S000000	100/5A	2.5VA
XM06-205085S000000	125/5A	5VA
XM06-225085S000000	150/5A	5VA
XM06-245105S000000	200/5A	7.5VA
XM06-275105S000000	250/5A	7.5VA
XM06-285105S000000	300/5A	7.5VA
XM06-315115S000000	400/5A	10VA

Primary Ratios available from 50A to 400A

Cat No.	Ratio	VA at CL 1.0
XM06-145051S000000	60/5A	2.5VA
XM06-175071S000000	80/5A	5VA
XM06-185071S000000	100/5A	5VA
XM06-205071S000000	125/5A	5VA
XM06-225111S000000	150/5A	10VA
XM06-245111S000000	200/5A	10VA
XM06-275115S000000	250/5A	10VA
XM06-285121S000000	300/5A	12.5VA
XM06-315131S000000	400/5A	15VA

Primary Ratios available from 60A to 400A

### Dimensions



## LCTB 50/30 (30)



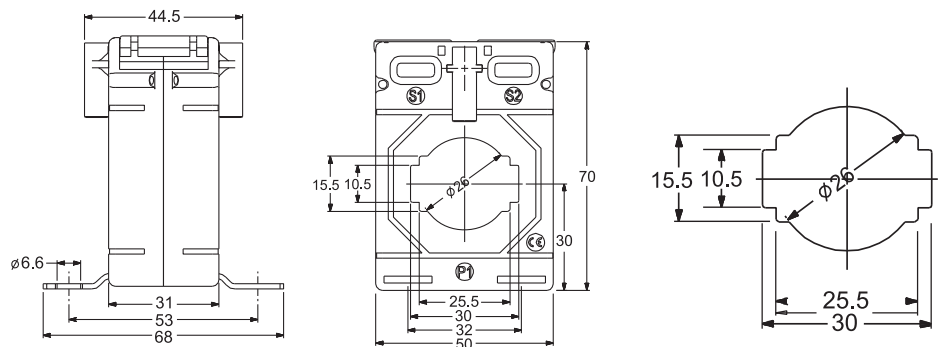
### LCTB 50/30 (30) (50mm wide x 30mm deep x (30 x 10mm) I.D.)

Cat No.	Ratio	VA at CL 0.5
XM07-185015S000000	100/5A	1VA
XM07-205015S000000	125/5A	1VA
XM07-225055S000000	150/5A	2.5VA
XM07-245055S000000	200/5A	2.5VA
XM07-275081S000000	250/5A	5VA
XM07-285085S000000	300/5A	5VA
XM07-315085S000000	400/5A	5VA
XM07-325085S000000	500/5A	5VA
XM07-335085S000000	600/5A	5VA

Primary Ratios available from 100A to 600A

Cat No.	Ratio	VA at CL 1.0
XM07-175031S000000	80/5A	1.5VA
XM07-185051S000000	100/5A	2.5VA
XM07-205051S000000	125/5A	2.5VA
XM07-225071S000000	150/5A	3.75VA
XM07-245081S000000	200/5A	5VA
XM07-275081S000000	250/5A	5VA
XM07-285081S000000	300/5A	5VA
XM07-315091S000000	400/5A	6.25VA
XM07-325091S000000	500/5A	6.25VA
XM07-335101S000000	600/5A	7.5VA

### Dimensions



All dimensions are in mm.

NOTE: Please consult Sifam Tinsley on 1A secondary for availability.

Features given vary from product to product - for more detailed product specific info please visit our website [www.sifamtinsley.co.uk](http://www.sifamtinsley.co.uk)

### LCTB 62/30 (50) (62mm wide x 50mm deep x (30 x 11mm) I.D.)

Cat No.	Ratio	VA at CL 0.5	Cat No.	Ratio	VA at CL 1.0
XM12-185085S000000	100/5A	5VA	XM12-185081S000000	100/5A	5VA
XM12-205085S000000	125/5A	5VA	XM12-205081S000000	125/5A	5VA
XM12-225085S000000	150/5A	5VA	XM12-225101S000000	150/5A	7.5VA
XM12-245115S000000	200/5A	10VA	XM12-245131S000000	200/5A	15VA
XM12-275135S000000	250/5A	15VA	XM12-275131S000000	250/5A	15VA
XM12-285135S000000	300/5A	15VA	XM12-285131S000000	300/5A	15VA
XM12-315135S000000	400/5A	15VA	XM12-315151S000000	400/5A	30VA
XM12-325135S000000	500/5A	15VA	XM12-325151S000000	500/5A	30VA
XM12-335145S000000	600/5A	20VA	XM12-335151S000000	600/5A	30VA
XM12-365145S000000	750/5A	20VA	XM12-365151S000000	750/5A	30VA
XM12-375145S000000	800/5A	20VA	XM12-375151S000000	800/5A	30VA

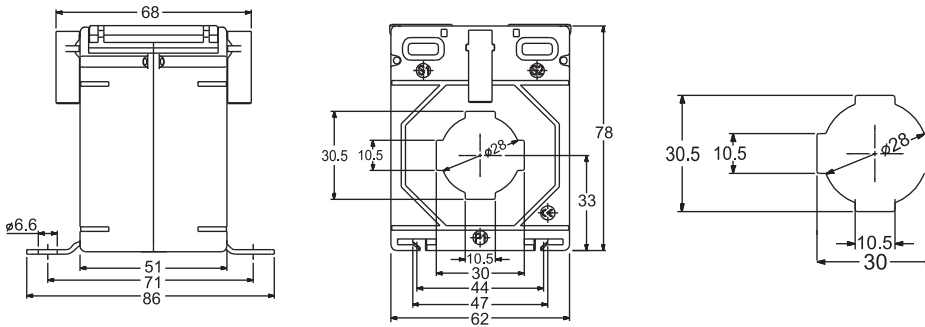
Primary Ratios available from 100A to 800A

### LCTB 62/30 (50)



**Note: Model available in Class 0.2S please refer to page 27**

### Dimensions



### LCTB 62/40 (62mm wide x 40mm deep x (40 x 11mm) I.D.)

Cat No.	Ratio	VA at CL 0.5	Cat No.	Ratio	VA at CL 1.0
XM13-245035S000000	200/5A	1.5VA	XM13-185011S000000	100/5A	1VA
XM13-275055S000000	250/5A	2.5VA	XM13-205031S000000	125/5A	1.5VA
XM13-285085S000000	300/5A	5VA	XM13-225051S000000	150/5A	2.5VA
XM13-315085S000000	400/5A	5VA	XM13-245071S000000	200/5A	3.75VA
XM13-325085S000000	500/5A	5VA	XM13-275081S000000	250/5A	5VA
XM13-335105S000000	600/5A	7.5VA	XM13-285081S000000	300/5A	5VA
XM13-365115S000000	750/5A	10VA	XM13-315081S000000	400/5A	5VA
XM13-375115S000000	800/5A	10VA	XM13-325101S000000	500/5A	7.5VA
			XM13-335111S000000	600/5A	10VA
			XM13-365111S000000	750/5A	10VA
			XM13-375111S000000	800/5A	10VA

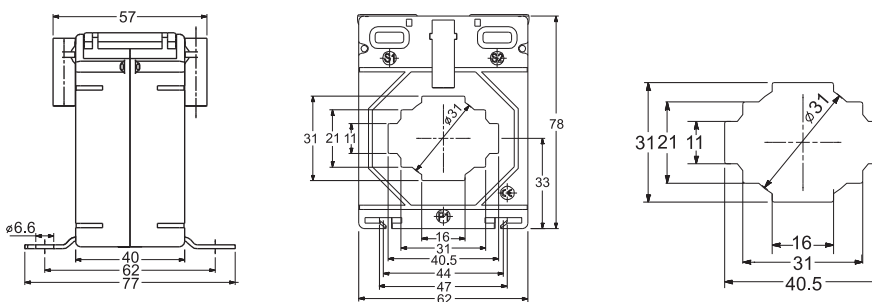
Primary Ratios available from 100A to 800A

### LCTB 62/40



**Note: Model available in Class 0.2S please refer to page 28**

### Dimensions



## LCTB 86/40



Note: Model available in Class 0.2S  
please refer to page 30

### LCTB 86/40 (86mm wide x 45mm deep x (41 x 41mm) I.D.)

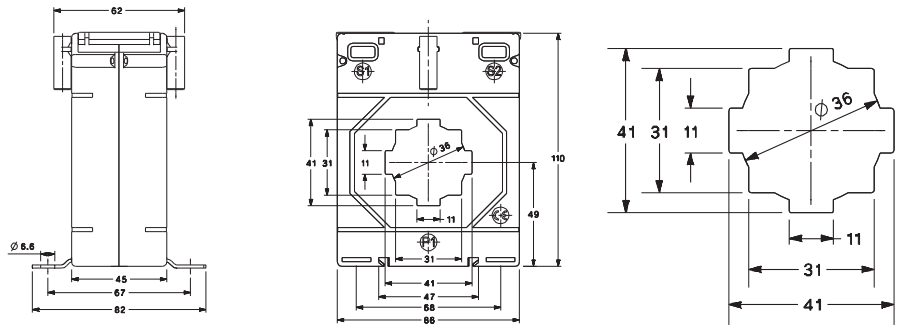
Cat No.	Ratio	VA at CL 0.5
XM18-185035S000000	100/5A	1.5VA
XM18-205055S000000	125/5A	2.5VA
XM18-225075S000000	150/5A	3.75VA
XM18-245085S000000	200/5A	5VA
XM18-275105S000000	250/5A	7.5VA
XM18-285115S000000	300/5A	10VA
XM18-315135S000000	400/5A	15VA
XM18-325145S000000	500/5A	20VA
XM18-335155S000000	600/5A	30VA
XM18-365155S000000	750/5A	30VA
XM18-375155S000000	800/5A	30VA
XM18-395155S000000	1000/5A	30VA

Primary Ratios available from 100A to 1000A

Cat No.	Ratio	VA at CL 1.0
XM18-185071S000000	100/5A	3.75VA
XM18-205081S000000	125/5A	5VA
XM18-225081S000000	150/5A	5VA
XM18-245101S000000	200/5A	7.5VA
XM18-275121S000000	250/5A	12.5VA
XM18-285131S000000	300/5A	15VA
XM18-315141S000000	400/5A	20VA
XM18-325151S000000	500/5A	30VA
XM18-335151S000000	600/5A	30VA
XM18-365151S000000	750/5A	30VA
XM18-375151S000000	800/5A	30VA
XM18-395151S000000	1000/5A	30VA

Primary Ratios available from 60A to 1000A

### Dimensions



## LCTB 86/50



Note: Model available in Class 0.2S  
please refer to page 31

### LCTB 86/50 (86mm wide x 45mm deep x (51 x 51mm) I.D.)

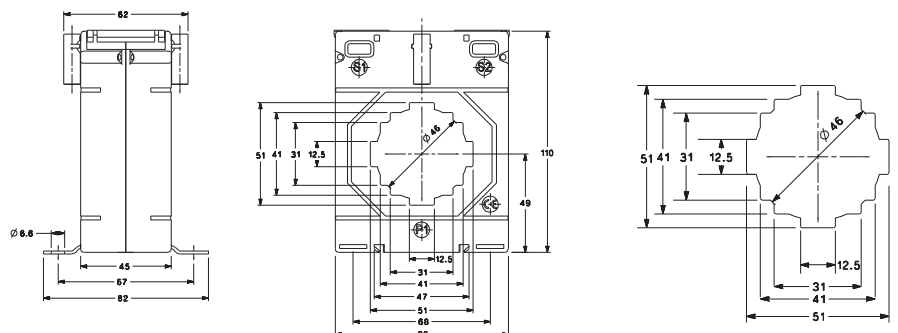
Cat No.	Ratio	VA at CL 0.5
XM19-245085S000000	200/5A	5VA
XM19-275105S000000	250/5A	7.5VA
XM19-285105S000000	300/5A	7.5VA
XM19-315135S000000	400/5A	15VA
XM19-325135S000000	500/5A	15VA
XM19-335135S000000	600/5A	15VA
XM19-365135S000000	750/5A	15VA
XM19-375145S000000	800/5A	20VA
XM19-395155S000000	1000/5A	30VA
XM19-405155S000000	1200/5A	30VA
XM19-415155S000000	1250/5A	30VA

Primary Ratios available from 125A to 1250A

Cat No.	Ratio	VA at CL 1.0
XM19-245101S000000	200/5A	7.5VA
XM19-275111S000000	250/5A	10VA
XM19-285111S000000	300/5A	10VA
XM19-315131S000000	400/5A	15VA
XM19-325141S000000	500/5A	20VA
XM19-335141S000000	600/5A	20VA
XM19-365141S000000	750/5A	20VA
XM19-375151S000000	800/5A	30VA
XM19-395151S000000	1000/5A	30VA
XM19-405151S000000	1200/5A	30VA
XM19-415151S000000	1250/5A	30VA

Primary Ratios available from 100A to 1250A

### Dimensions



All dimensions are in mm.

NOTE: Please consult Sifam Tinsley on 1A secondary for availability.

Features given vary from product to product -  
for more detailed product specific info please  
visit our website [www.sifamtinsley.co.uk](http://www.sifamtinsley.co.uk)

### LCTB 86/60 (86mm wide x 45mm deep x (61 x 51mm) I.D.)

Cat No.	Ratio	VA at CL 0.5
XM20-275055S000000	250/5A	2.5VA
XM20-285085S000000	300/5A	5VA
XM20-315115S000000	400/5A	10VA
XM20-325115S000000	500/5A	10VA
XM20-335135S000000	600/5A	15VA
XM20-365135S000000	750/5A	15VA
XM20-375145S000000	800/5A	20VA
XM20-395145S000000	1000/5A	20VA
XM20-405145S000000	1200/5A	20VA
XM20-415145S000000	1250/5A	20VA
XM20-425145S000000	1500/5A	20VA
XM20-435145S000000	1600/5A	20VA

Primary Ratios available from 200A to 1600A

Cat No.	Ratio	VA at CL 1.0
XM20-275051S000000	250/5A	2.5VA
XM20-285081S000000	300/5A	5VA
XM20-315111S000000	400/5A	10VA
XM20-325111S000000	500/5A	10VA
XM20-335131S000000	600/5A	15VA
XM20-365141S000000	750/5A	20VA
XM20-375141S000000	800/5A	20VA
XM20-395141S000000	1000/5A	20VA
XM20-405141S000000	1200/5A	20VA
XM20-415141S000000	1250/5A	20VA
XM20-425141S000000	1500/5A	20VA
XM20-435141S000000	1600/5A	20VA

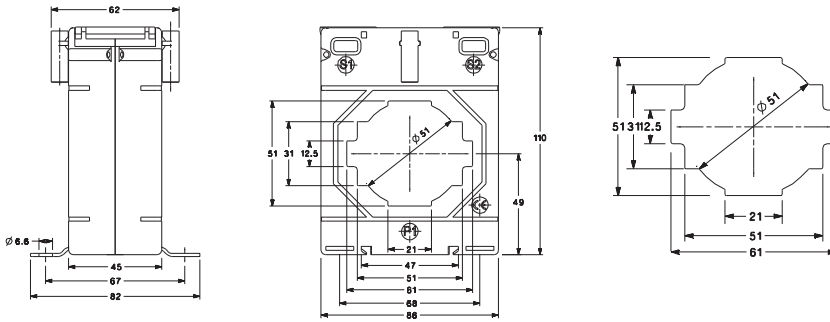
Primary Ratios available from 100A to 1600A

### LCTB 86/60



Note: Model available in Class 0.2S please refer to page 31

### Dimensions



### LCTB 104/60 (104mm wide x 45mm deep x (60 x 12mm) I.D.)

Cat No.	Ratio	VA at CL 0.5
XM21-275105S000000	250/5A	7.5VA
XM21-285115S000000	300/5A	10VA
XM21-315115S000000	400/5A	10VA
XM21-325135S000000	500/5A	15VA
XM21-335135S000000	600/5A	15VA
XM21-365145S000000	750/5A	20VA
XM21-375155S000000	800/5A	30VA
XM21-395155S000000	1000/5A	30VA
XM21-405155S000000	1200/5A	30VA
XM21-415155S000000	1250/5A	30VA
XM21-425155S000000	1500/5A	30VA
XM21-365155S000000	1600/5A	30VA

Primary Ratios available from 150A to 1600A

Cat No.	Ratio	VA at CL 1.0
XM21-275121S000000	250/5A	12.5VA
XM21-285131S000000	300/5A	15VA
XM21-315131S000000	400/5A	15VA
XM21-325141S000000	500/5A	20VA
XM21-335151S000000	600/5A	30VA
XM21-365151S000000	750/5A	30VA
XM21-375151S000000	800/5A	30VA
XM21-395161S000000	1000/5A	45VA
XM21-405161S000000	1200/5A	45VA
XM21-415161S000000	1250/5A	45VA
XM21-425161S000000	1500/5A	45VA
XM21-365161S000000	1600/5A	45VA

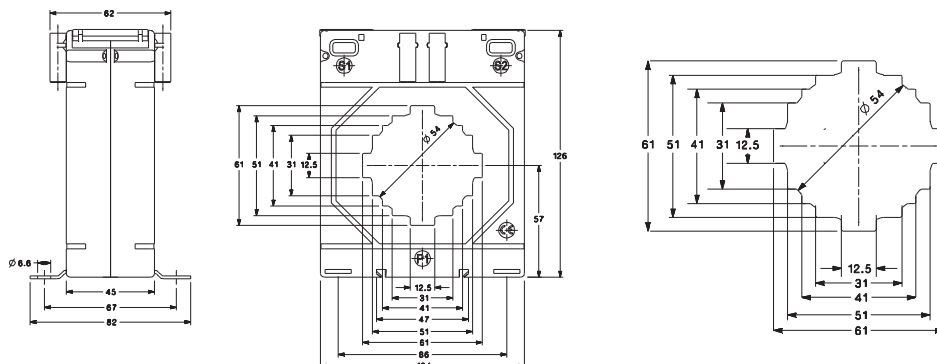
Primary Ratios available from 100A to 1600A

### LCTB 104/60



Note: Model available in Class 0.2S please refer to page 32

### Dimensions





## LCTB 104/80



Note: Model available in Class 0.2S please refer to page 32

### LCTB 104/80 (104mm wide x 45mm deep x (80 x 12mm) I.D.)

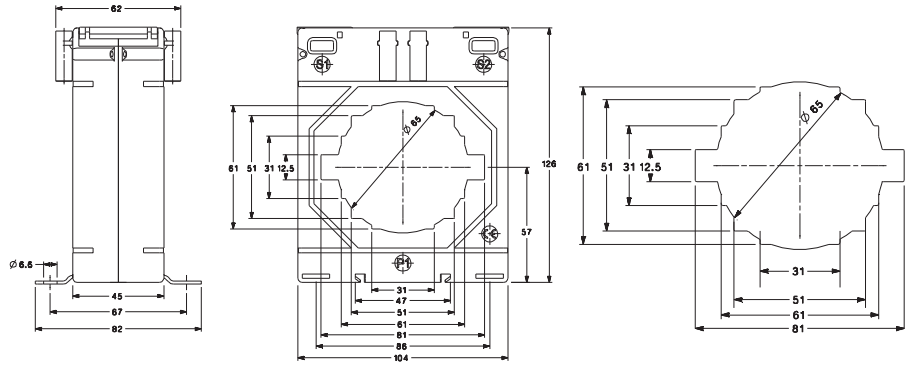
Cat No.	Ratio	VA at CL 0.5
XM22-275035S000000	250/5A	1.5VA
XM22-285055S000000	300/5A	2.5VA
XM22-315085S000000	400/5A	5VA
XM22-325085S000000	500/5A	5VA
XM22-335105S000000	600/5A	7.5VA
XM22-365115S000000	750/5A	10VA
XM22-375115S000000	800/5A	10VA
XM22-395145S000000	1000/5A	20VA
XM22-405145S000000	1200/5A	20VA
XM22-415145S000000	1250/5A	20VA
XM22-425145S000000	1500/5A	20VA
XM22-435145S000000	1600/5A	20VA
XM22-445145S000000	2000/5A	20VA

Primary Ratios available from 250A to 2000A

Cat No.	Ratio	VA at CL 1.0
XM22-275051S000000	250/5A	2.5VA
XM22-285101S000000	300/5A	7.5VA
XM22-315111S000000	400/5A	10VA
XM22-325111S000000	500/5A	10VA
XM22-335121S000000	600/5A	12.5VA
XM22-365131S000000	750/5A	15VA
XM22-375131S000000	800/5A	15VA
XM22-395141S000000	1000/5A	20VA
XM22-405151S000000	1200/5A	30VA
XM22-415151S000000	1250/5A	30VA
XM22-425151S000000	1500/5A	30VA
XM22-435151S000000	1600/5A	30VA
XM22-445151S000000	2000/5A	30VA

Primary Ratios available from 200A to 2000A

### Dimensions



## LCTB 140/80



Note: Model available in Class 0.2S please refer to page 33

### LCTB 140/80 (140mm wide x 45mm deep x (80mm x 30mm) I.D.)

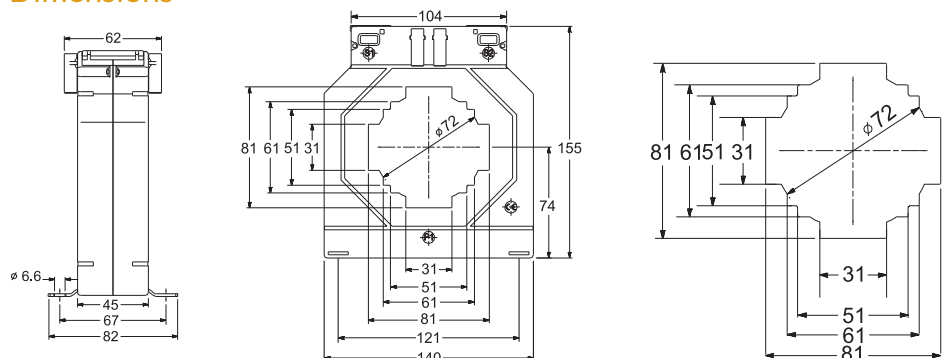
Cat No.	Ratio	VA at CL 0.5
XM23-275085S000000	250/5A	5VA
XM23-285105S000000	300/5A	7.5VA
XM23-315115S000000	400/5A	10VA
XM23-325135S000000	500/5A	15VA
XM23-335135S000000	600/5A	15VA
XM23-365135S000000	750/5A	15VA
XM23-375135S000000	800/5A	15VA
XM23-395155S000000	1000/5A	30VA
XM23-405155S000000	1200/5A	30VA
XM23-415175S000000	1250/5A	60VA
XM23-425175S000000	1500/5A	60VA
XM23-435175S000000	1600/5A	60VA
XM23-445175S000000	2000/5A	60VA

Primary Ratios available from 200A to 2000A

Cat No.	Ratio	VA at CL 1.0
XM23-275111S000000	250/5A	10VA
XM23-285131S000000	300/5A	15VA
XM23-315141S000000	400/5A	20VA
XM23-325151S000000	500/5A	30VA
XM23-335151S000000	600/5A	30VA
XM23-365161S000000	750/5A	45VA
XM23-375161S000000	800/5A	45VA
XM23-395171S000000	1000/5A	60VA
XM23-405171S000000	1200/5A	60VA
XM23-415171S000000	1250/5A	60VA
XM23-425171S000000	1500/5A	60VA
XM23-435171S000000	1600/5A	60VA
XM23-445171S000000	2000/5A	60VA

Primary Ratios available from 200A to 2000A

### Dimensions



All dimensions are in mm.

NOTE: Please consult Sifam Tinsley on 1A secondary for availability.

Features given vary from product to product - for more detailed product specific info please visit our website [www.sifamtinsley.co.uk](http://www.sifamtinsley.co.uk)

### LCTB 140/100H (140mm wide x 45mm deep x (100 x 30mm) I.D.)

Cat No.	Ratio	VA at CL 0.5	Cat No.	Ratio	VA at CL 1.0
XM24-325115S000000	500/5A	10VA	XM24-325151S000000	500/5A	12.5VA
XM24-335115S000000	600/5A	10VA	XM24-335151S000000	600/5A	15VA
XM24-365135S000000	750/5A	15VA	XM24-365161S000000	750/5A	20VA
XM24-375135S000000	800/5A	15VA	XM24-375141S000000	800/5A	20VA
XM24-395135S000000	1000/5A	15VA	XM24-395141S000000	1000/5A	20VA
XM24-405135S000000	1200/5A	15VA	XM24-405151S000000	1200/5A	30VA
XM24-415135S000000	1250/5A	15VA	XM24-415151S000000	1250/5A	30VA
XM24-425145S000000	1500/5A	20VA	XM24-425151S000000	1500/5A	30VA
XM24-435145S000000	1600/5A	20VA	XM24-435161S000000	1600/5A	45VA
XM24-445165S000000	2000/5A	45VA	XM24-445161S000000	2000/5A	45VA
XM24-466165S000000	2500/5A	45VA	XM24-466161S000000	2500/5A	45VA
XM24-485175S000000	3000/5A	60VA	XM24-485171S000000	3000/5A	60VA
XM24-515175S000000	4000/5A	60VA	XM24-515171S000000	4000/5A	60VA

Primary Ratios available from 200A to 4000A

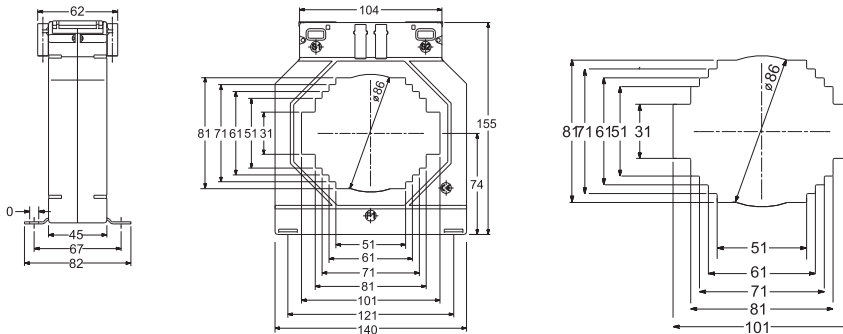
Primary Ratios available from 200A to 4000A

### LCTB 140/100H



Note: Model available in Class 0.2S please refer to page 33

### Dimensions



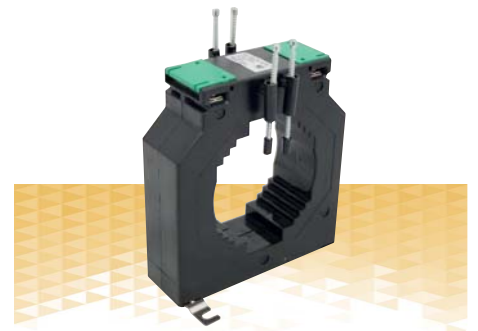
### LCTB 140/100V (140mm wide x 45mm deep x (81 x 101mm) I.D.)

Cat No.	Ratio	VA at CL 0.5	Cat No.	Ratio	VA at CL 1.0
XM25-325115S000000	500/5A	10VA	XM25-325121S000000	500/5A	12.5VA
XM25-335125S000000	600/5A	12.5VA	XM25-335131S000000	600/5A	15VA
XM25-365135S000000	750/5A	15VA	XM25-365141S000000	750/5A	20VA
XM25-375135S000000	800/5A	15VA	XM25-375141S000000	800/5A	20VA
XM25-395135S000000	1000/5A	15VA	XM25-395141S000000	1000/5A	20VA
XM25-405135S000000	1200/5A	15VA	XM25-405151S000000	1200/5A	30VA
XM25-415135S000000	1250/5A	15VA	XM25-415151S000000	1250/5A	30VA
XM25-425155S000000	1500/5A	30VA	XM25-425151S000000	1500/5A	30VA
XM25-435165S000000	1600/5A	45VA	XM25-435161S000000	1600/5A	45VA
XM25-445165S000000	2000/5A	45VA	XM25-445161S000000	2000/5A	45VA
XM25-466165S000000	2500/5A	45VA	XM25-466161S000000	2500/5A	45VA
XM25-485175S000000	3000/5A	60VA	XM25-485171S000000	3000/5A	60VA

Primary Ratios available from 200A to 3000A

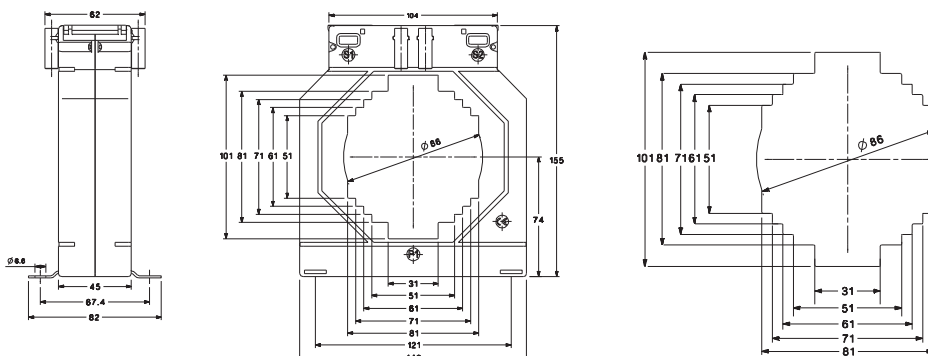
Primary Ratios available from 200A to 3000A

### LCTB 140/100V



Note: Model available in Class 0.2S please refer to page 34

### Dimensions



# OMEGA Split Core

## OMEGA 10

Omega series split core transformers offer a cost effective and efficient method by which the current can be measured without the need to break the conductor, thereby reducing installation and commissioning time.

### Specifications

- Primary current 100A to 5000A
- Secondary current 1A or 5A
- System voltage 720V (0.72kV) maximum
- Test voltage 3kV for 1 minute
- System frequency 50 or 60 Hz
- Insulation class E
- Overload withstand 1.2 times rated current continuously
- Short circuit thermal 60 x rated primary for 1 second
- Operating temperature 20°C to 70°C
- Relative humidity 0-90% (non condensing)
- Compliant with EN 60044-1 / IEC 61869-1
- Accuracy Class 3, 1 & 0.5
- Rated dynamic current = 2.55 x 1ht
- Enclosure Flame retardant grade classified UL 94V-O



### Features

- Compliant with EN 60044-1 / IEC 61869-1
- Flame retardant grade enclosure (UL 94V-O)
- Operation free installation
- Test voltage 3kV 50Hz 1min.
- System voltage 720V max.
- Ratio ratings from 100/5A to 5000/5A
- Available in 0.5, 1 and 3 accuracy class
- Insulation class: E

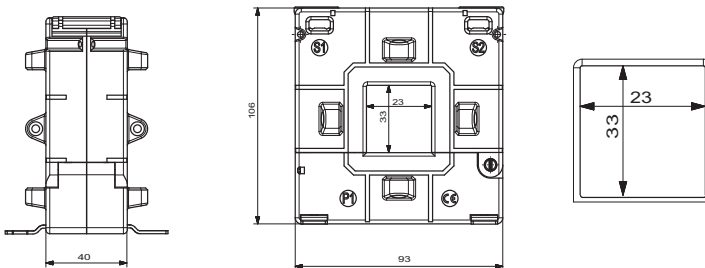
OMEGA 10

## OMEGA 10A (93mm wide x 40mm deep x (33mm x 23mm) I.D.)

Cat No.	Ratio	VA at CL 1.0	Cat No.	Ratio	VA at CL 1.0
XS01-185031S000000	100/5A	1.5VA	XS01-275071S000000	250/5A	3.75VA
XS01-225221S000000	150/5A	1.75VA	XS01-285081S000000	300/5A	5VA
XS01-245051S000000	200/5A	2.5VA	XS01-315091S000000	400/5A	6.25VA

Note Class 0.5 possible on ratio's 300 and 400 amps

### Dimensions



## OMEGA 10A



## OMEGA 10B

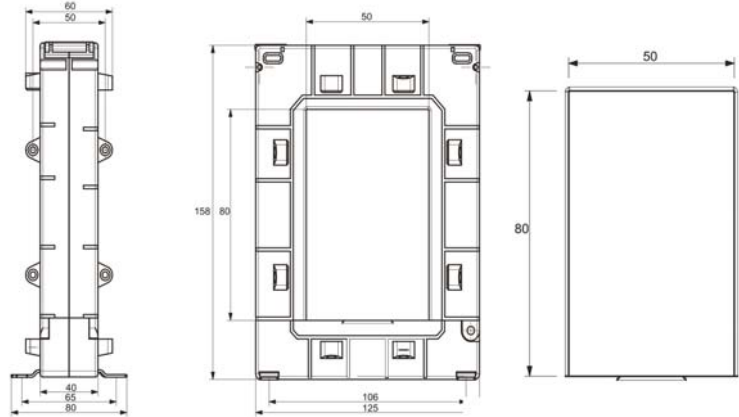


### OMEGA 10B (125mm wide x 40mm deep x (50mm x 80mm) I.D.)

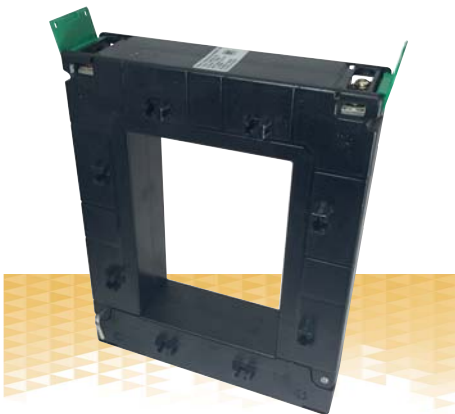
Cat No.	Ratio	VA at CL 0.5
XS02-275015S000000	250/5A	1VA
XS02-285055S000000	300/5A	2.5VA
XS02-315055S000000	400/5A	2.5VA
XS02-325075S000000	500/5A	3.75VA
XS02-335085S000000	600/5A	5VA
XS02-375105S000000	800/5A	7.5VA
XS02-395115S000000	1000/5A	10VA
XS02-405115S000000	1200/5A	10VA
XS02-415115S000000	1250/5A	10VA
XS02-425115S000000	1500/5A	10VA
XS02-435115S000000	1600/5A	10VA

Cat No.	Ratio	VA at CL 1.0
XS02-275051S000000	250/5A	2.5VA
XS02-285071S000000	300/5A	3.75VA
XS02-315071S000000	400/5A	3.75VA
XS02-325081S000000	500/5A	5VA
XS02-335101S000000	600/5A	7.5VA
XS02-375111S000000	800/5A	10VA
XS02-395131S000000	1000/5A	15VA
XS02-405131S000000	1200/5A	15VA
XS02-415131S000000	1250/5A	15VA

### Dimensions



## OMEGA 10C

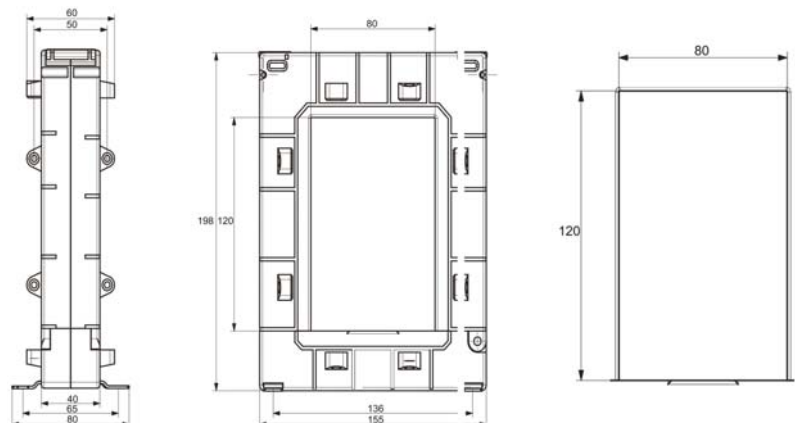


### OMEGA 10C (155mm wide x 40mm deep x (120mm x 80mm) I.D.)

Cat No.	Ratio	VA at CL 0.5
XS03-335085S000000	600/5A	5VA
XS03-375105S000000	800/5A	7.5VA
XS03-395115S000000	1000/5A	10VA
XS03-405135S000000	1200/5A	15VA
XS03-415135S000000	1250/5A	15VA
XS03-425145S000000	1500/5A	20VA
XS03-435145S000000	1600/5A	20VA
XS03-445145S000000	2000/5A	20VA
XS03-465205S000000	2500/5A	25VA
XS03-485155S000000	3000/5A	30VA

Cat No.	Ratio	VA at CL 1.0
XS03-335105S000000	600/5A	7.5VA
XS03-375111S000000	800/5A	10VA
XS03-395131S000000	1000/5A	15VA
XS03-405151S000000	1200/5A	30VA
XS03-415151S000000	1250/5A	30VA
XS03-425161S000000	1500/5A	45VA
XS03-435161S000000	1600/5A	45VA
XS03-445161S000000	2000/5A	45VA
XS03-465161S000000	2500/5A	45VA
XS03-485161S000000	3000/5A	45VA

### Dimensions



All dimensions are in mm

Features given vary from product to product - for more detailed product specific info please visit our website [www.sifamtinsley.co.uk](http://www.sifamtinsley.co.uk)

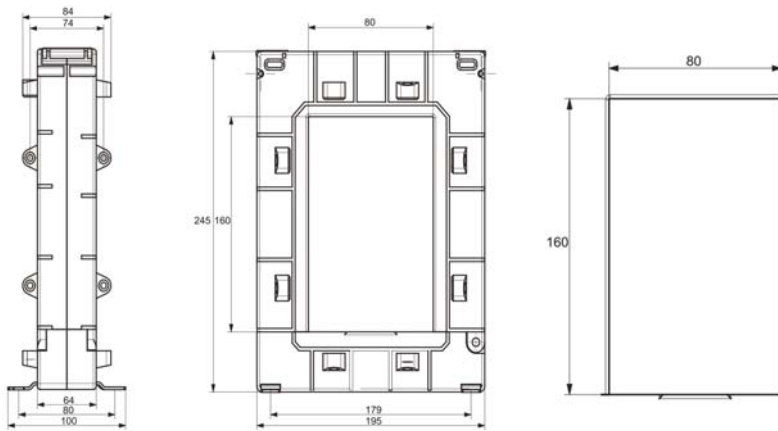
### OMEGA 10D (195mm wide x 64mm deep x (80mm x 160mm) I.D.)

Cat No.	Ratio	VA at CL 0.5	Cat No.	Ratio	VA at CL 1.0
XS04-395115S000000	1000/5A	10VA	XS04-395141S000000	1000/5A	20VA
XS04-405135S000000	1200/5A	15VA	XS04-405141S000000	1200/5A	20VA
XS04-415135S000000	1250/5A	15VA	XS04-415141S000000	1250/5A	20VA
XS04-425145S000000	1500/5A	20VA	XS04-425151S000000	1500/5A	30VA
XS04-435145S000000	1600/5A	20VA	XS04-435151S000000	1600/5A	30VA
XS04-445205S000000	2000/5A	25VA	XS04-445151S000000	2000/5A	30VA
XS04-465205S000000	2500/5A	25VA	XS04-465151S000000	2500/5A	30VA
XS04-485155S000000	3000/5A	30VA	XS04-485161S000000	3000/5A	45VA
XS04-515155S000000	4000/5A	30VA	XS04-515161S000000	4000/5A	45VA
XS04-525155S000000	5000/5A	30VA	XS04-525161S000000	5000/5A	45VA

### OMEGA 10D



### Dimensions



### OMEGA 10E (105mm wide x 50mm deep x (55mm x 43mm) I.D.)

Cat No.	Ratio	VA at CL 0.5	Cat No.	Ratio	VA at CL 1.0
XS05-245035S000000	200/5A	1.5VA	XS05-245071S000000	200/5A	3.75VA
XS05-275055S000000	250/5A	2.5VA	XS05-275081S000000	250/5A	5VA
XS05-285055S000000	300/5A	2.5VA	XS05-285081S000000	300/5A	5VA
XS05-315085S000000	400/5A	5.0VA	XS05-315101S000000	400/5A	7.5VA
XS05-325085S000000	500/5A	5.0VA	XS05-325101S000000	500/5A	7.5VA
XS05-335095S000000	600/5A	6.25VA	XS05-335111S000000	600/5A	10VA
XS05-375105S000000	800/5A	7.5VA	XS05-375121S000000	800/5A	12.5VA

### OMEGA 10E



### Dimensions

