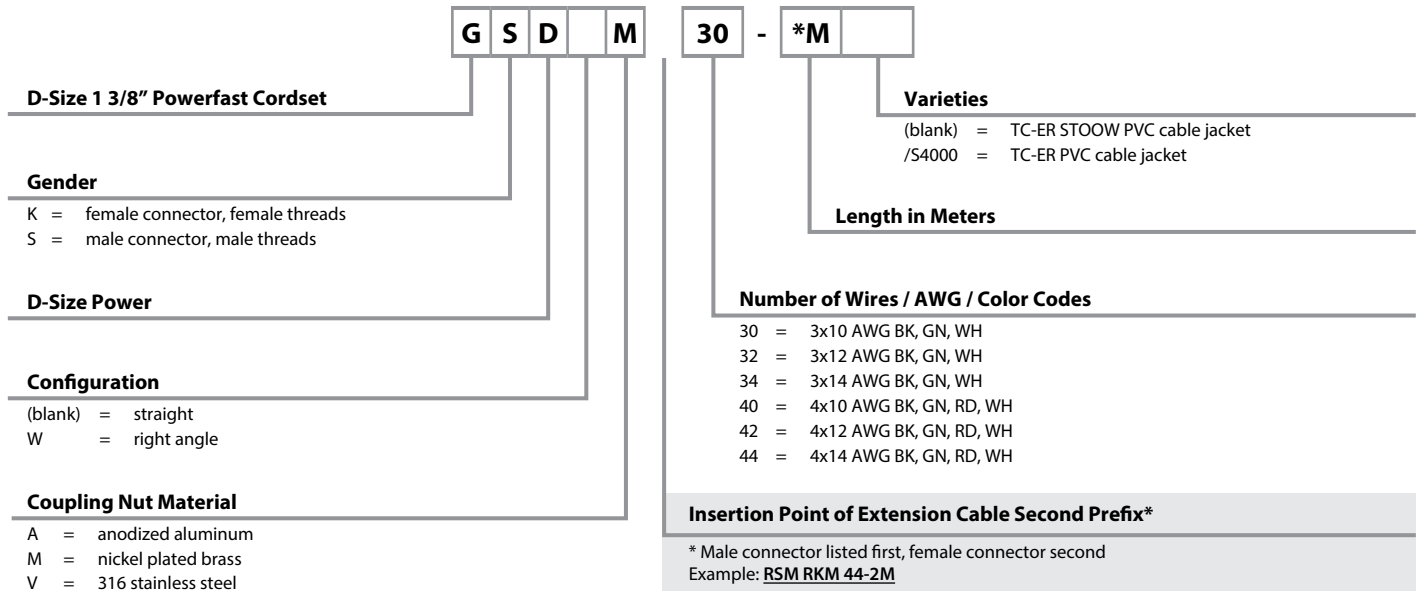


D-Size 1 3/8" powerfast Connectivity

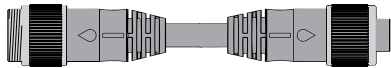


D-Size 1 3/8" Powerfast Cordset Part Number Key

Part Number Keys are to assist in IDENTIFICATION ONLY. Consult factory for catalog items not identified.



Extension Examples

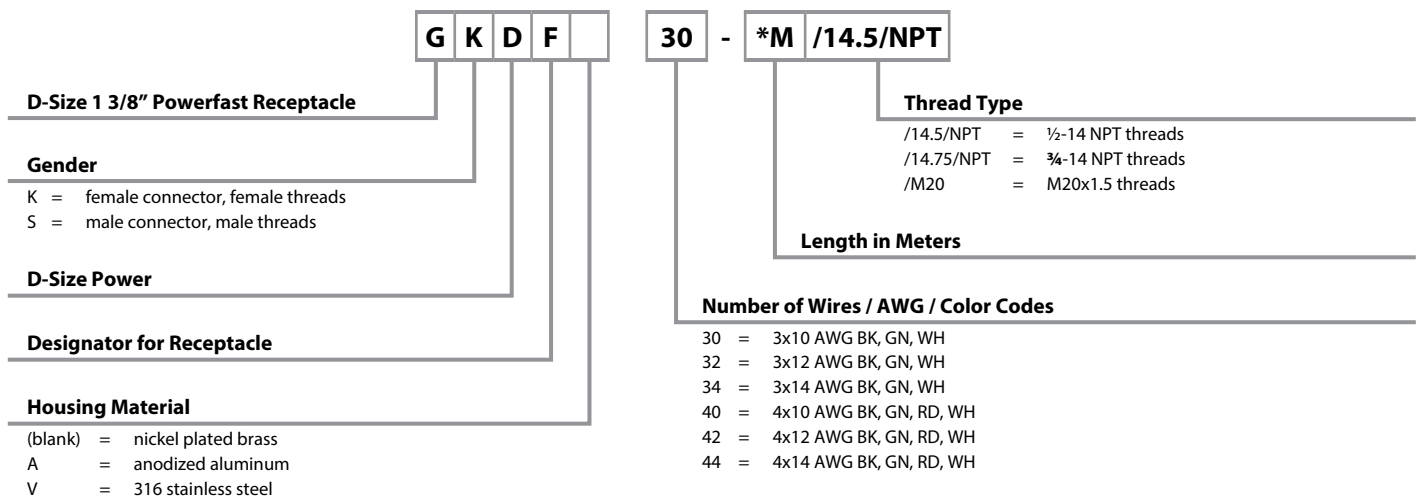


G S D M

G K D M

30 - *M

D-Size 1 3/8" Powerfast Receptacle Part Number Key



2 and 3-Wire Receptacles, Front Mount, 1/4-18 NPT Threads

Part Number Keys are to assist in IDENTIFICATION ONLY. Consult factory for catalog items not identified.

D-Size (1 3/8") Powerfast Tees

Trunk(1) Identifier
 K = female connector
 S = male connector

Coupling Nut Material
 A = anodized aluminum
 M = nickel plated brass
 V = 316 stainless steel

D-Size (1 3/8") Powerfast Tees

Trunk(2) and Drop(3) Identifiers

2GKDM = female trunk(2) and female drop(3)
 GSDM/GKDM = male trunk(2) and female drop(3)
 GKDM/T = female trunk (2) and cable drop(3)
 GKDM/RKM = female trunk(2) and female A-Size Power drop(3)
 GKDM/BKM = female trunk(2) and female M16 Power drop(3)

Part Number Key Example: G S D M / 2GKDM 30 - * - /S..

Varieties

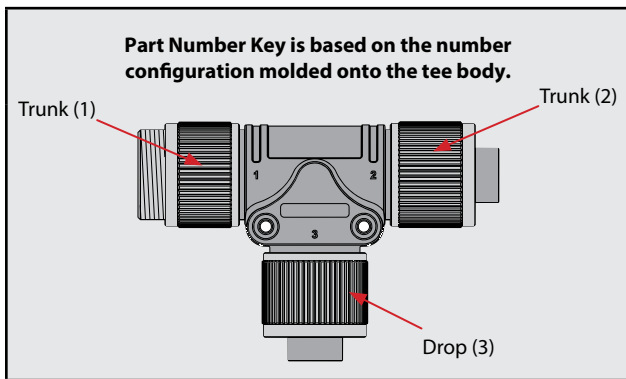
- /S = consult factory, special
- /CS = consult factory, special
- /S4000 = designates TC-ER cable

Length in Meters

Number of Wires / AWG / Color Codes

- 30 = 3x10 AWG BK, GN, WH
- 32 = 3x12 AWG BK, GN, WH
- 34 = 3x14 AWG BK, GN, WH
- 40 = 4x10 AWG BK, GN, RD, WH
- 42 = 4x12 AWG BK, GN, RD, WH
- 44 = 4x14 AWG BK, GN, RD, WH

Note: Only one male connector per tee available.
 Standard female coupling nut material for A-Size Power drop and M16 Power drop is nickel plated brass.



Tee Examples

G S D M / 2GKDM 30

G S D M / GKDM / RKM 44 - *

D-Size 1 3/8" powerfast

D-Size 1 3/8" powerfast Connectivity



D-Size 1 3/8" Powerfast Cordset Specifications

Mechanical

Mold material/color:	PVC/Black
Housing material/plating:	PVC
Standard:	Nickel plated brass
Additional options:	Anodized aluminum 316 stainless steel
Environmental protection:	NEMA 1, 3, 4, 6P and IEC IP67, IP68, IP69K
Temperature rating:	-40 °C to +90 °C (-40 °F to +194 °F)

Electrical

Contact material:	Brass or copper with gold plating
Cable jacket material/color:	
Standard:	TC-ER STOOW PVC/Black
Additional options:	TC-ER PVC/Black (/S4000 version)
Ratings:	15-30 Amps, 600 VAC



D-Size 1 3/8" Powerfast Receptacle Specifications

Mechanical

Contact carrier material:	PVC
Housing material/plating:	
Standard:	Nickel plated brass
Additional options:	Anodized aluminum 316 stainless steel
Environmental protection:	NEMA 1, 3, 4, 6P and IEC IP67, IP68, IP69K
Temperature rating:	-40 °C to +105 °C (-40 °F to +221 °F)

Electrical

Contact material:	Brass or copper with gold plating
Conductor insulation:	PVC
Ratings:	15-30 Amps, 600 VAC



D-Size 1 3/8" Powerfast Field Wireable Specifications

Mechanical

Housing material/color:	Nylon/Black
Contact carrier material:	PVC
Coupling nut material:	
Standard:	Nickel plated brass
Additional options:	Anodized aluminum 316 stainless steel
Environmental protection:	NEMA 6P and IEC IP67
Temperature rating:	-40 °C to +90 °C (-40 °F to +194 °F)

Electrical

Contact material:	Brass or copper with gold plating
Ratings:	Up to 30 Amps, 600 VAC

We reserve the right to make technical alterations without prior notice.