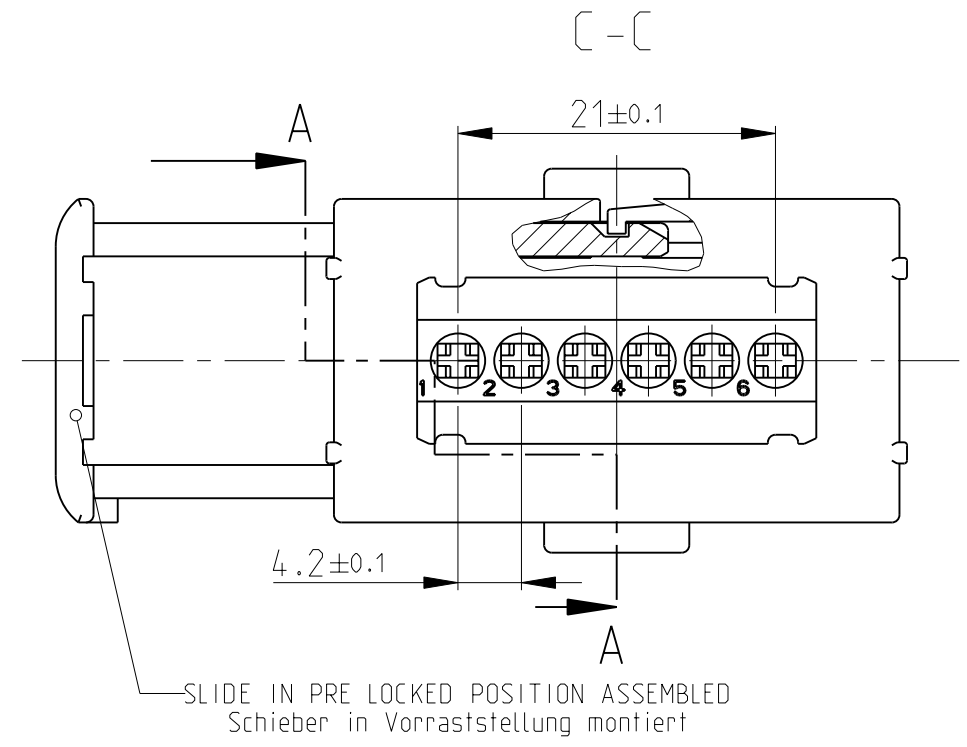
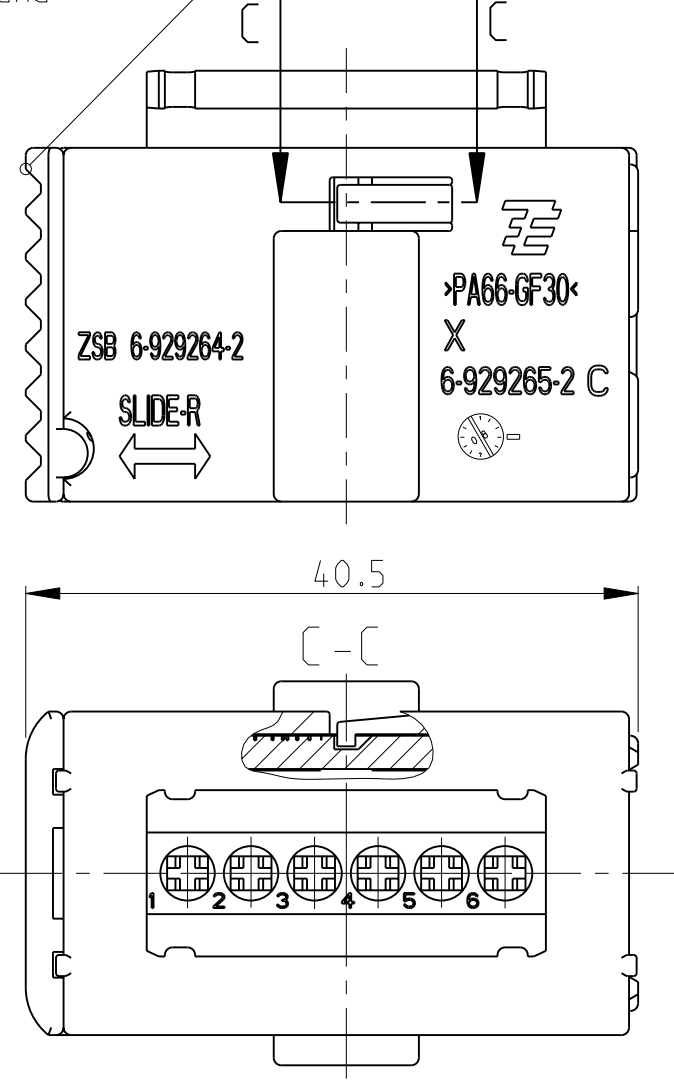


LOC	DIST	REVISIONS			
P	LTR	DESCRIPTION	DATE	DWN	APVD
A		NEW DRAWING	06NOV2008	CA	HS
A1		SEE E-11-001103	17JAN2011	HS	RH

ASSEMBLAGE CONDITION  
 Montagezustand

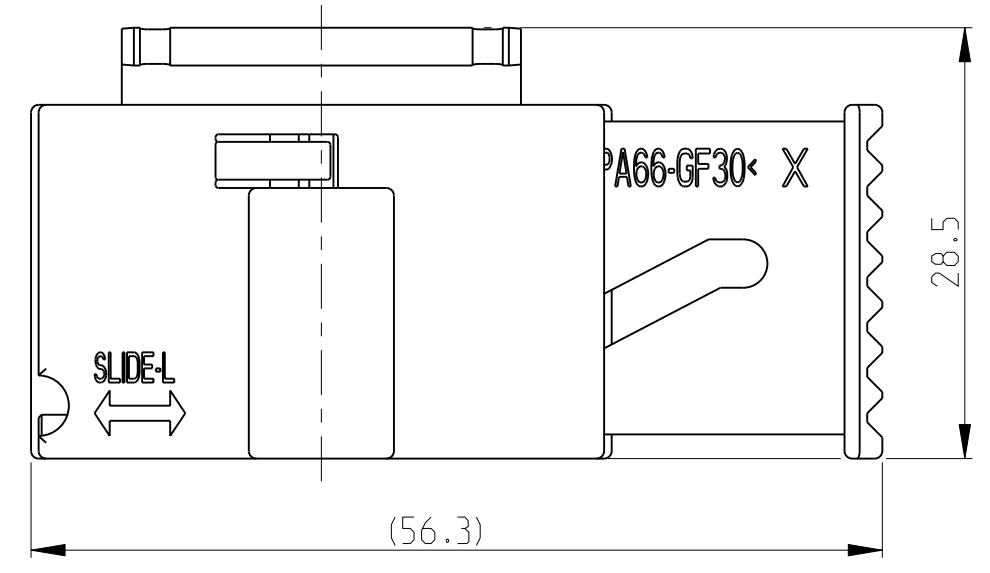
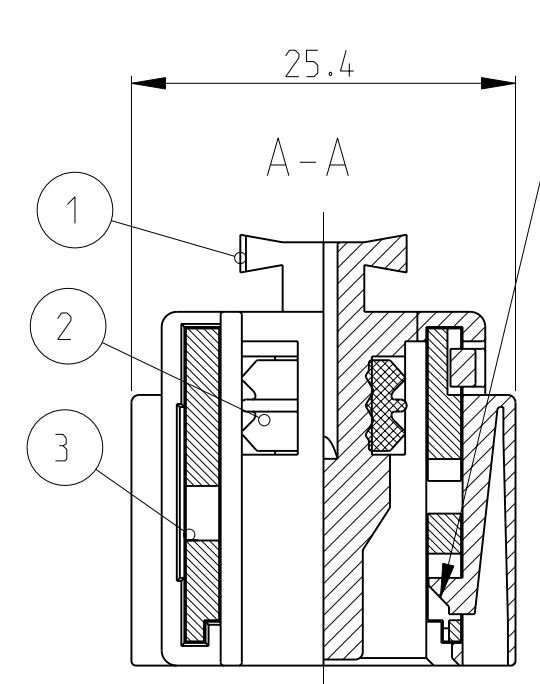
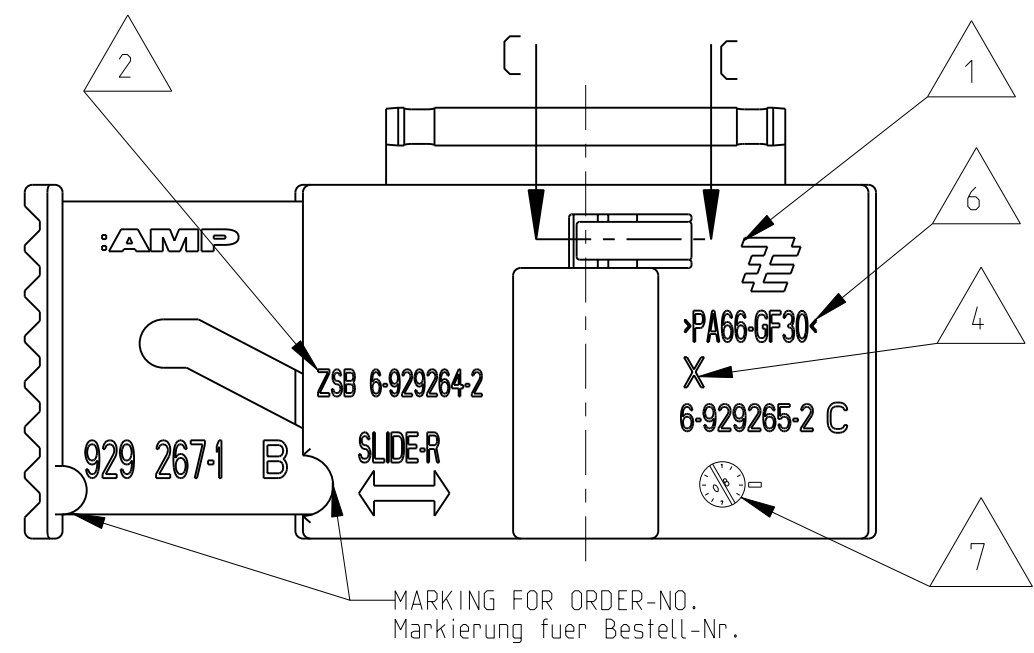
DELIVERY CONDITION  
 Anlieferungszustand



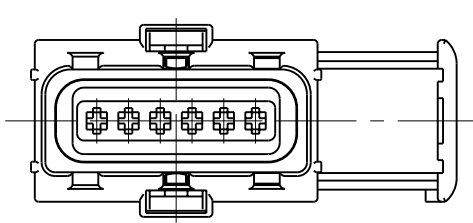
NOTES  
 Bemerkungen

- 1 AMP-LOGO OR TE-LOGO  
AMP-Logo oder TE-Logo
- 2 ORDER-NUMBER  
Bestell-Nummer
- 3 REVISIONS-NUMBER  
Werkzeugaenderungsindex
- 4 CAVITY MARKING  
Nestmarkierung
- NV CUSTOMER SIGN  
Kunden-Kurzzeichen
- 5 PACKAGING IN CARTON  
Verpackung in Karton
- 6 MATERIAL MARKING  
Werkstoffkennzeichnung
- 7 PRODUCTION-DATE  
Produktions-Datum

WAS 97-52263-104



PN 6-929264-2  
 CODING N  
 Kodierung N  
 1:1



MICRO TIMER	962 876-2	963 711-2	0.5 - 1.0	CuFe2	PRE TIN PLATED	FOR HIS REGULATION	878 616-2	HAND TOOL 734 560-1	963 530-1
CONTACT	ORDER NO. STRIP FORM	ORDER NO. LOOSE PIECE	WIRE RANGE MM <sup>2</sup>	MATERIAL	FINISH	APPLICATOR	CRIMP TOOL	HAND TOOL	SEAL

TE ORDER NO TE BESTELLNUMMER	REV	QTY	DESCRIPTION NAME	MATERIAL	SURFACE COLOR	WEIGHT GEWICHT [g]	ITEM NO
6-929264-2	D	1	SLIDE	PA66-GF30	RED		3
		1	SEALING	SILICON	RED		2
		1	MT2 HSG. 6POS. COD. N	PA66-GF30	BLACK	-	1

THIS DRAWING IS A CONTROLLED DOCUMENT FOR TYCO ELECTRONICS CORPORATION IT IS SUBJECT TO CHANGE AND THE CONTROLLING ENGINEERING ORGANIZATION SHOULD BE CONTACTED FOR THE LATEST REVISION.

DWN: C. Anghel 06NOV2008  
 CHK: H. Schmitt 07NOV2008  
 APVD: -

Tyco Electronics Tyco Electronics AMP GmbH  
 64625 Bensheim, Germany

NAME: MT2 HOUSING, 6POS., ASS'Y  
 MT2 Gehäuse, 6pol., Ass'y

SIZE: A2 CAGE CODE: 00779 DRAWING NO: 929264 RESTRICTED TO: -

MATERIAL: SEE TABLE DIMENSIONS: mm TOLERANCES UNLESS OTHERWISE SPECIFIED: 0 PLC ±0.5, 1 PLC ±0.5, 2 PLC ±0.5, 3 PLC ±0.5, 4 PLC ±0.5, ANGLES ±5° FINISH: SEE TABLE WEIGHT: 16.1g

Customer Drawing SCALE: 2:1 SHEET 1 OF 1 REV A1

# Mouser Electronics

Authorized Distributor

Click to View Pricing, Inventory, Delivery & Lifecycle Information:

[TE Connectivity:](#)

[6-929264-2](#)