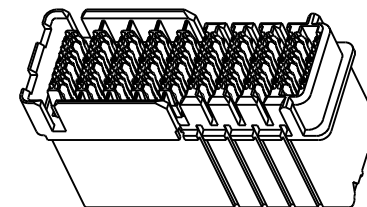
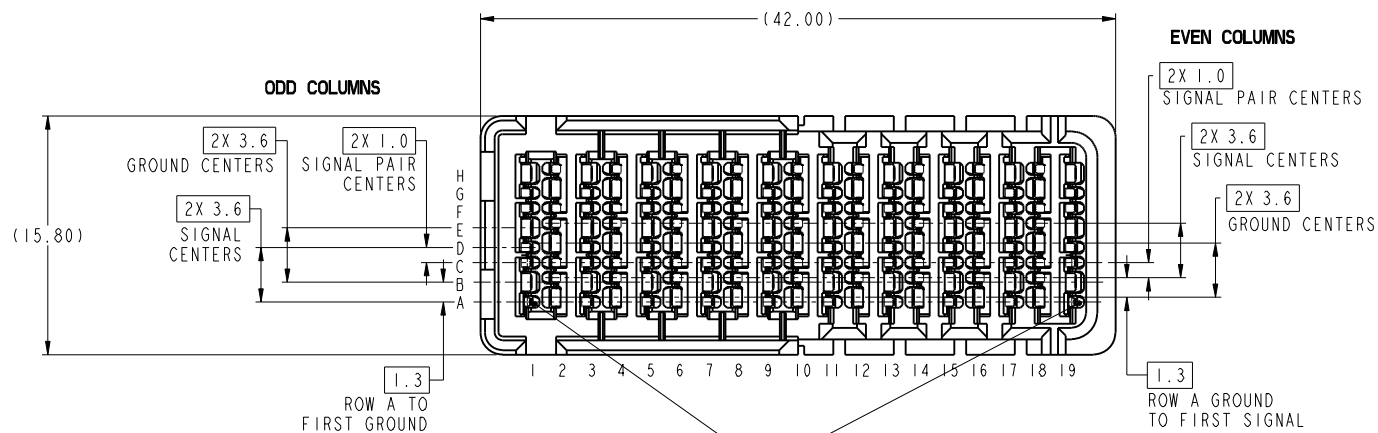
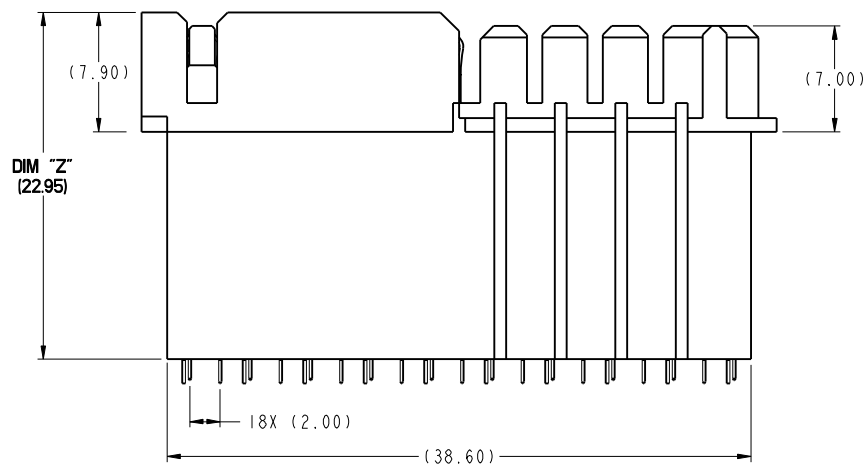
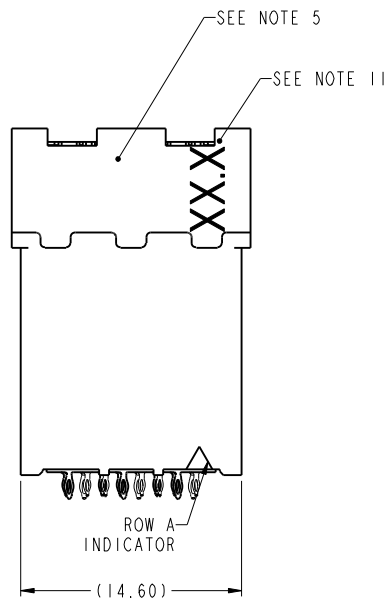


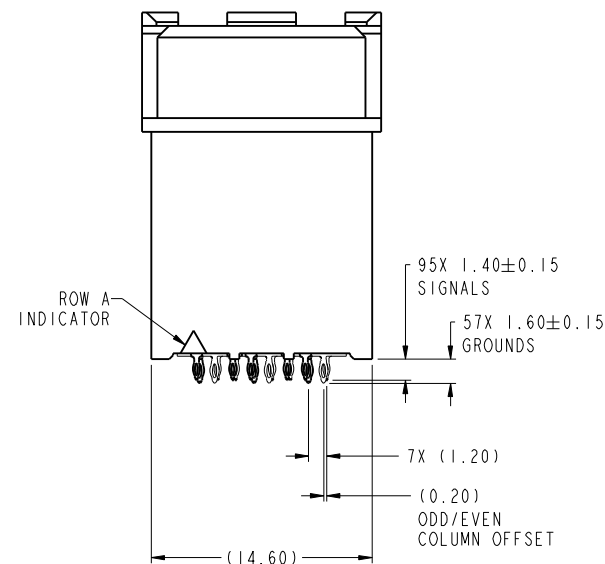
PRODUCT NUMBERS SEE TABLE ON LAST SHEET



SCALE 2:1



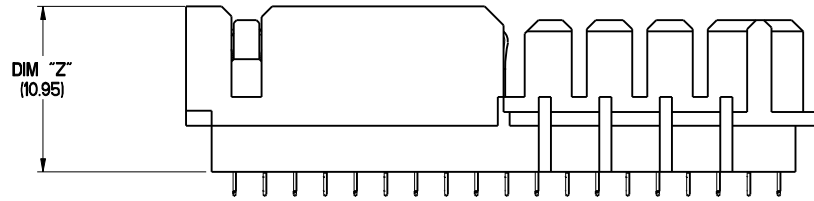
10127225-119500ULF SHOWN
SCALE 4:1



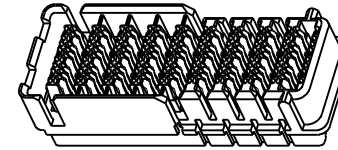
spec ref	SEE NOTES	dr	M. LAUERMANN	2013-09-10	projection	mm	size	A2	scale	4:1			
tolerance std	TOLERANCES UNLESS OTHERWISE SPECIFIED	eng	M. LAUERMANN	2013-09-10			echn no rel level In Work	rev 14					
ASME Y14.5M		chr	M. LAUERMANN	2013-09-10					product family		ExoMEZZ		
		appr	M. LAUERMANN	2013-09-10					www.fci.com		cat. no.	Product - Customer	Draw
surface	linear 0.x ±0.3 0.xx ±0.10 0.xxx ±0.05 angular 0° ±2°			title ExoMEZZ CONNECTOR ASSEMBLY HERMAPHRODITIC, 2 PAIR, 19 IMLA		ang no 10127225							



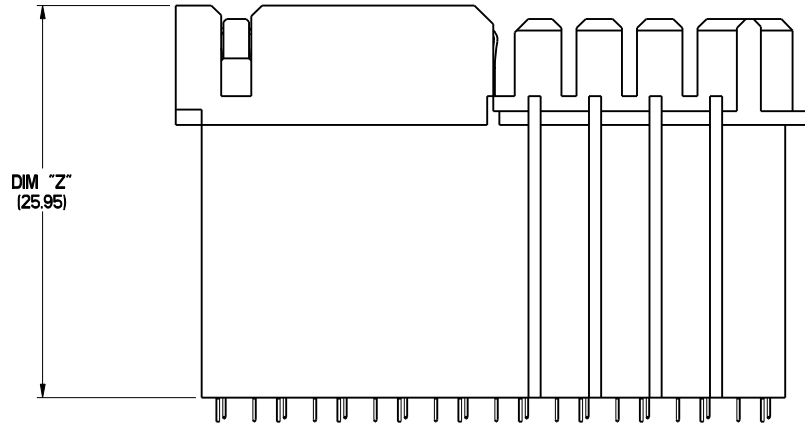
Copyright FCI.



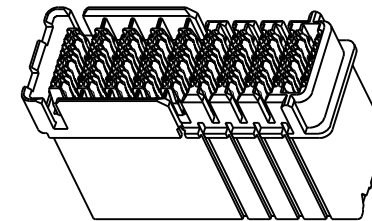
SHORTEST HEIGHT
10127225-107500ULF SHOWN
SCALE 4:1



SCALE 2:1



TALLEST HEIGHT
10127225-122500ULF SHOWN
SCALE 4:1



SCALE 2:1

spec ref	SEE NOTES		dr	M. LAUERMANN	2013-09-10	projection	mm	size	A2	scale	4:1
tolerance std	ASME Y14.5M		eng	M. LAUERMANN	2013-09-10			ech no			
TOLERANCES UNLESS OTHERWISE SPECIFIED		chr	M. LAUERMANN	2013-09-10	product family			ExaMEZZ	rel level	In Work	
surface	<input checked="" type="checkbox"/> linear	0.X	±0.3		ExaMEZZ CONNECTOR ASSEMBLY	HERMAPHRODITIC, 2 PAIR, 19 IMLA	ang no 10127225	rev 14			
		0.XX	±0.10								
		0.XXX	±0.05								
		angular	0°	±2°	www.fci.com	cat. no.	-	Product - Customer	Drw	sheet 2 of 4	



Copyright FCI.

BOARD-LEVEL CONNECTOR OUTLINE SEE NOTE 10

57X $\varnothing 0.500$
 $\varnothing 0.10$
 SEE NOTE 8

7X 1.20

(3.60) (3.00)

POSITION A1
 CONNECTOR #1

0.40 OFFSET OF PCB HOLES
 BETWEEN COMPONENT SIDE OF
 BOARD #1 TO BACK SIDE OF BOARD #2
 WHEN CONNECTORS ARE MATED
 SEE APPLICATION SPECIFICATION

(1.50)

(3.20)

18X 2.00
 SEE NOTE 9

95X $\varnothing 0.360$
 $\varnothing 0.10$
 SEE NOTE 8

SEE NOTE 9

10127225-XXXXXXULF
RECOMMENDED PCB LAYOUT
 SCALE 5:1

(42.00)

(38.60)

19X EXTRA SIGNAL ANTIPAD
 SEE NOTE 9

38X ANTIPAD
 SEE NOTE 9

38X ANTIPAD
 SEE NOTE 9

8.40

(14.60)

(15.80)

(1.10)

(2.80)

9X 0.20
 ODD AND EVEN
 COLUMN OFFSET

**BOARD FOOTPRINT
 CONNECTOR #1
 COMPONENT SIDE**

(3.20)

(1.50)

(1.10)

(2.80)

POSITION A1
 CONNECTOR #2
 (MATING CONNECTOR)

**BOARD FOOTPRINT
 CONNECTOR #2 (MATING CONNECTOR)
 (SAME FOOTPRINT, DIFFERENT A1 LOCATION)
 COMPONENT SIDE**

spec ref	SEE NOTES	dr	M. LAUERMAN	2013-09-10	projection	mm	size	A2	scale	2:1											
tolerance std	TOLERANCES UNLESS OTHERWISE SPECIFIED	eng	M. LAUERMAN	2013-09-10			ech no	rel level	In Work	rev											
ASME Y14.5M		chr	M. LAUERMAN	2013-09-10																	
surface	<table border="1"> <tr> <td>linear</td> <td>0.x</td> <td>± 0.3</td> </tr> <tr> <td></td> <td>0.xx</td> <td>± 0.10</td> </tr> <tr> <td></td> <td>0.xxx</td> <td>± 0.05</td> </tr> <tr> <td>angular</td> <td>0°</td> <td>$\pm 2^\circ$</td> </tr> </table>	linear	0.x	± 0.3		0.xx	± 0.10		0.xxx	± 0.05	angular	0°	$\pm 2^\circ$	appr	M. LAUERMAN	2013-09-10	product family	ExoMEZZ	eng no	10127225	14
linear	0.x	± 0.3																			
	0.xx	± 0.10																			
	0.xxx	± 0.05																			
angular	0°	$\pm 2^\circ$																			
				ExoMEZZ CONNECTOR ASSEMBLY HERMAPHRODITIC, 2 PAIR, 19 IMLA		Product - Customer Draw		sheet 3 of 4													



Copyright FCI.

1 - CONNECTOR MATERIALS:
 HOUSING: HIGH TEMP THERMOPLASTIC, NATURAL, UL94-V0
 IMLA PLASTIC: HIGH TEMP THERMOPLASTIC, BLACK, UL94-V0
 CONTACT: COPPER ALLOY

2 - CONTACT PLATING:
 SEPARABLE INTERFACE:
 PERFORMANCE-BASED PLATING, QUALIFIED TO MEET THE
 REQUIREMENTS OF FCI PRODUCT SPECIFICATION GS-12-1150
 INCLUDING TELCORDIA GR-1217-CORE (NOVEMBER 1995)
 CENTRAL OFFICE TEST SEQUENCE.

PRESS-FIT TAILS:
 TIN OVER NICKEL (LEAD-FREE)

3 - PRODUCT SPECIFICATION: GS-12-1150

4 - APPLICATION SPECIFICATION: GS-20-0373

5 - PRODUCT MARKING (PART NUMBER & LOT CODE) ON THIS SURFACE.

6 - LEAD FREE PRODUCT MEETS THE EUROPEAN UNION DIRECTIVES &
 OTHER COUNTRY REGULATIONS AS DESCRIBED IN GS-47-0004.

7 - PACKAGING MEETS GS-14-920 LEAD FREE LABELING
 SPECIFICATION.

8 - REFER TO CUSTOMER DRAWING 10119933 FOR INFORMATION
 ON PCB HOLE DIAMETERS AND PLATING OPTIONS

9 - PLEASE REFER TO THE APPLICATION SPECIFICATION FOR
 TRACE ROUTING EXAMPLES THAT INCLUDE DIMENSIONS
 FOR ANTIPADS, TRACE WIDTHS, TRACE SPACINGS, ETC.

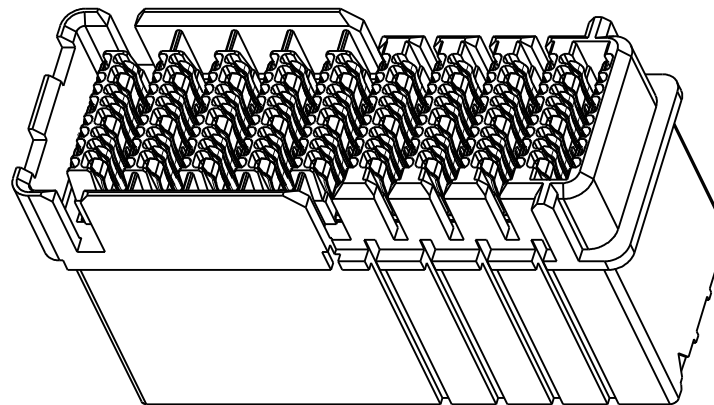
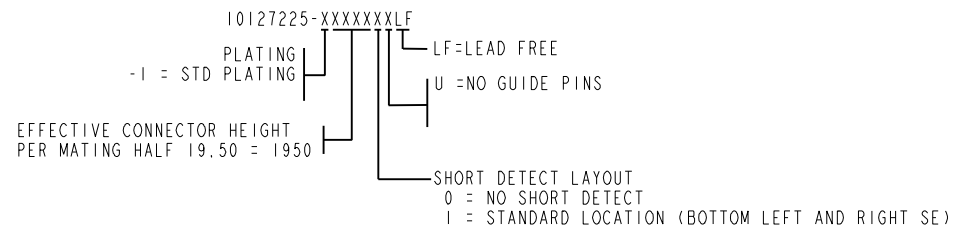
10 - CONNECTOR OUTLINE MAY BE SCREEN PRINTED ONTO CUSTOMER PCB TO BE USED AS A GUIDE
 FOR MANUAL CONNECTOR PLACEMENT.

11 - PRODUCT STACK HEIGHT (7.5, 12.5, 19.5, OR 22.5) LASER MARKED ON THIS SURFACE.

12 - THE SHORT DETECT CONNECTOR (WHEN MATED WITH A NON-SHORT DETECT
 CONNECTOR) WILL PROVIDE CONTACTS THAT MATE 1.00mm AFTER THE REMAINDER
 OF STANDARD LENGTH SIGNAL AND GROUND CONTACTS MATE. NEVER MATE A SHORT DETECT
 CONNECTOR WITH ANOTHER SHORT DETECT CONNECTOR.

13. THE HOUSING WILL WITHSTAND EXPOSURE TO 260 °C FOR 10-30 SECONDS
 IN A CONVECTION, INFRA-RED, OR VAPOR PHASE REFLOW OVEN.

PRODUCT NUMBER	STACK HEIGHT EACH SIDE	DIM "Z"	SHORT DETECTS
10127225-107500ULF	7.5 mm	10.95	NO
10127225-107501ULF	7.5 mm	10.95	YES
10127225-110500ULF	10.5 mm	13.95	NO
10127225-110501ULF	10.5 mm	13.95	YES
10127225-112500ULF	12.5 mm	15.95	NO
10127225-112501ULF	12.5 mm	15.95	YES
10127225-113500ULF	13.5 mm	16.95	NO
10127225-113501ULF	13.5 mm	16.95	YES
10127225-117500ULF	17.5 mm	20.95	NO
10127225-117501ULF	17.5 mm	20.95	YES
10127225-119500ULF	19.5 mm	22.95	NO
10127225-119501ULF	19.5 mm	22.95	YES
10127225-122500ULF	22.5 mm	25.95	NO
10127225-122501ULF	22.5 mm	25.95	YES



spec ref	SEE NOTES	dr	M. LAUERMANN	2013-09-10	projection	mm	size	A2	scale	4:1											
tolerance std	TOLERANCES UNLESS OTHERWISE SPECIFIED	eng	M. LAUERMANN	2013-09-10																	
ASME Y14.5M		chr	M. LAUERMANN	2013-09-10																	
		appr	M. LAUERMANN	2013-09-10																	
surface	<table border="1"> <tr><td>linear</td><td>0.X</td><td>±0.3</td></tr> <tr><td></td><td>0.XX</td><td>±0.10</td></tr> <tr><td></td><td>0.XXX</td><td>±0.05</td></tr> <tr><td>angular</td><td>0°</td><td>±2°</td></tr> </table>	linear	0.X	±0.3		0.XX	±0.10		0.XXX	±0.05	angular	0°	±2°			ExaMEZZ CONNECTOR ASSEMBLY HERMAPHRODITIC, 2 PAIR, 19 IMLA		product family ExaMEZZ	rel level In Work	eng no 10127225	rev 14
linear	0.X	±0.3																			
	0.XX	±0.10																			
	0.XXX	±0.05																			
angular	0°	±2°																			
		www.fci.com		cat. no.		Product - Customer Draw		sheet 4 of 4													



Copyright FCI.

Mouser Electronics

Authorized Distributor

Click to View Pricing, Inventory, Delivery & Lifecycle Information:

[FCI / Amphenol:](#)

[10127225-122500ULF](#) [10127225-107500ULF](#) [10127225-119500ULF](#) [10127225-407500ULF](#)