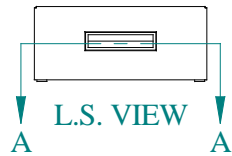
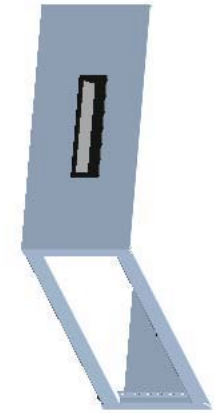


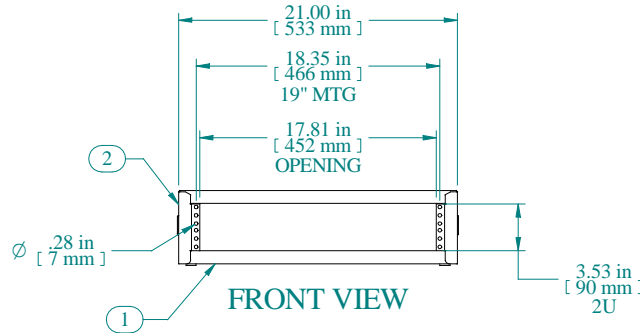
SECTION A-A



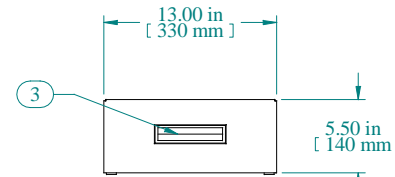
TOP VIEW



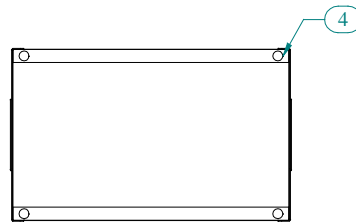
L.S. VIEW



FRONT VIEW



R.S. VIEW



BOTTOM VIEW

Item Number	Title	Quantity
1	RCBS - BOTTOM	1
2	RCBS - TOP & SIDES	1
3	BLACK PLASTIC HANDLE	2
4	PLUG BUMPER	4

**PART NUMBERS**

RCBS1900313BK1	PAINTED BLACK TEXTURED
RCBS1900313CG1	PAINTED CONT. GRAY TEXTURED
RCBS1900313LG1	PAINTED RAL7035 TEXTURED

**NOTES**

Shipped with a starter pack of 10-32 clip nuts & matching quantity of 1421ABK black screws

Data subject to change without notice. Isometric drawing not to scale.

**HAMMOND  
MANUFACTURING™**

www.hammondmfg.com

PART NO. RCBS1900313

# Mouser Electronics

Authorized Distributor

Click to View Pricing, Inventory, Delivery & Lifecycle Information:

[Hammond:](#)

[RCBS1900313GY2](#) [RCBS1900313CG1](#)