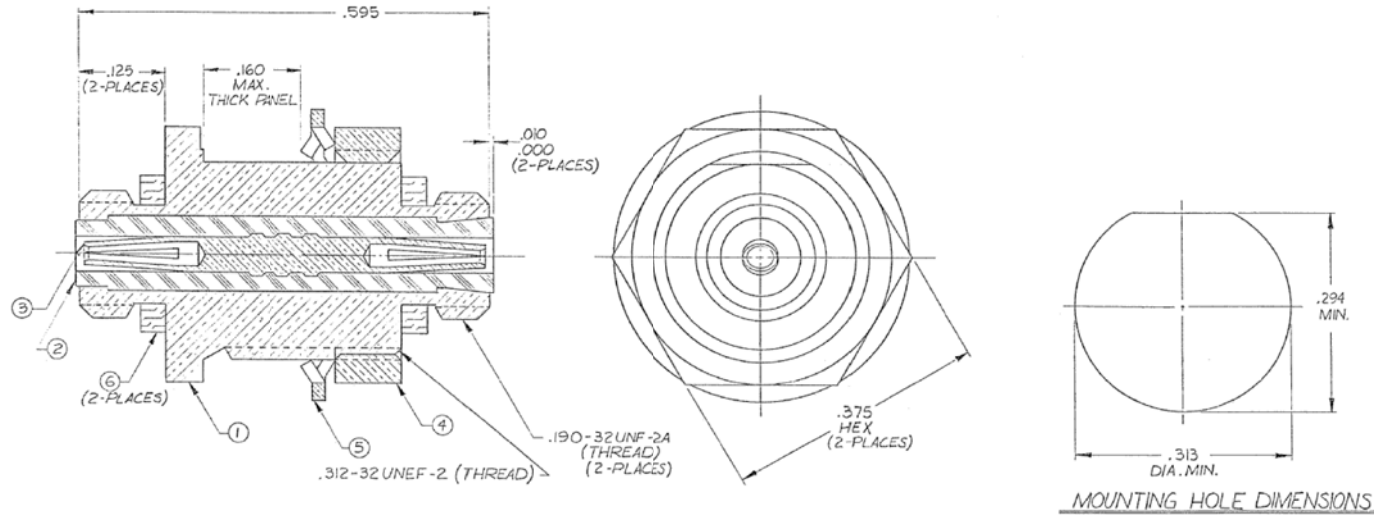


THIS DRAWING IS UNPUBLISHED. RELEASED FOR PUBLICATION
 © COPYRIGHT BY TYCO ELECTRONICS CORPORATION. ALL RIGHTS RESERVED.

LOC	DIST	REVISIONS			
P	LTR	DESCRIPTION	DATE	OWN	APPD
	R1	DRAWING MAINTENANCE	12-16-05	JDM	MKS

REVISIONS					
ZONE	LTR	ECN	DESCRIPTION	DATE	APPROVED
N	26025		REV. & REDRAWN. ORIGINAL RELEASE 1-28-56 BY J.B.D. & S.P.R.	8-21 81	<i>[Signature]</i>
P	28326		ITEM 5 MATL WAS: PHOSPHOR BRONZE QQ-B-750	11-15-56	<i>[Signature]</i>
R	40169		GASKET WAS: 003-0211-0001	1/1/57	<i>[Signature]</i>
R1			SEE TYCO TITLE BLOCK		



NOTES: UNLESS OTHERWISE SPECIFIED
 1. THIS CONNECTOR MATES WITH ALL SCREW-ON PLUGS IN S-50 SERIES AS LISTED IN MALCO CATALOG.
 ⚠ SILVER PLATE .0002 MIN PER QQ-S-365, TYPE II, GRADE A.
 ⚠ GOLD PLATE PER MIL-6-45204, TYPE II, GRADE C, CLASS I.

QTY REQD	FINISH	PART OR IDENTIFYING NO.	DESCRIPTION	MATERIAL & SPECIFICATION	ITEM
2		003-0268-0000	GASKET	SILICONE PER ZZ-R-765	6
1		003-0258-0001	LOCKWASHER	# 425 BRONZE ALLOY	5
1		003-0209-0001	NUT, HEX	BRASS PER QQ-B-626	4
1		000-0201-0050	CONTACT, SOCKET	BERYLLIUM COPPER PER QQ-C-530	3
1		003-0222-0001	INSULATOR	TEFLON PER L-P-403	2
1		003-0221-0001	HOUSING	BRASS PER QQ-B-626	1

UNLESS OTHERWISE SPECIFIED DIMENSIONS ARE IN INCHES TOLERANCES ARE:			CONTRACT NO.		MALCO A MICRODOT COMPANY, INC. 300 PASADENA AVE., 50, PASADENA, CALIF. 91303	PROD. CODE 931 CODE CDM
FRACTIONS	DECIMALS	ANGLES	APPROVALS	DATE		
XX =	XXX =	.010 =	DRAWN <i>[Signature]</i>	9-12-81	ADAPTER - BULKHEAD FEED-THRU	
			CHKD <i>[Signature]</i>	8-20-81		
			PR. ENG. <i>[Signature]</i>	8-21-81		
MATERIAL			APPRD. <i>[Signature]</i>		SIZE	CODE IDENT NO.
NOTED					C	98278
FINISH					DRAWING NO.	033-0053-0001
NOTED					SCALE	1 X 1
NEXT ASSY			APPLICATION		SHEET 1 OF 1	
			DO NOT SCALE DRAWING			

DIMENSIONS:		TOLERANCES UNLESS OTHERWISE SPECIFIED:		DRAWN		Tyco Electronics Corporation	
INCHES		0 PLC ± .005		D. MORALES 12-16-05		Harrisburg, PA 17105-3608	
⊕		1 PLC ± .005		CHK M. STORRY 12-16-05		ADAPTER-BULKHEAD, FEED-THRU MICRODOT P/N 033-0053-0001 TYCO P/N 1466295-1	
		2 PLC ± .005		APPD. M. STORRY 12-16-05			
		3 PLC ± .010		NAME M. STORRY			
		4 PLC ± .010		PRODUCT SPEC		SIZE	
		ANGLES ± .010		APPLICATION SPEC		A2 98278	
MATERIAL		FINISH		WEIGHT		CAGE CODE DRAWING NO.	
				-		1466295	
				CUSTOMER DRAWING		RESTRICTED TO	
				SCALE NONE		SHEET 1 of 1	
				REV R1			