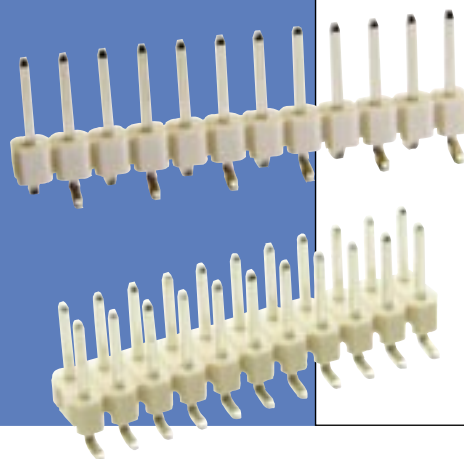


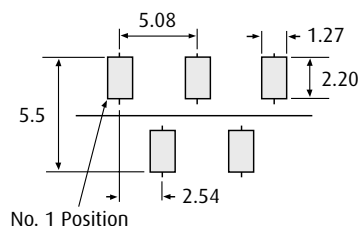
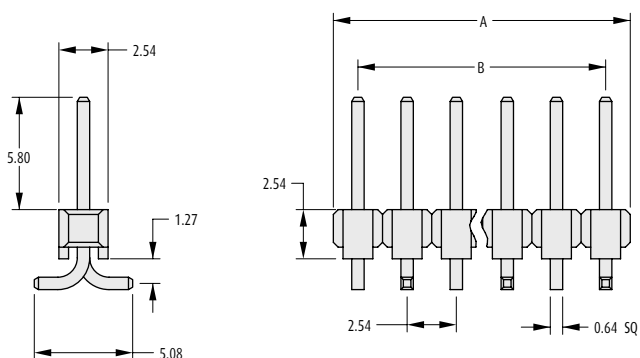
M20 Connectors

Vertical SMT Male Connectors

- ❖ For pick and place cap and packed in tube – add P to the end of the part number.
- ❖ For pick and place cap in tape & reel packaging – add R to the end of the part number.



SINGLE ROW

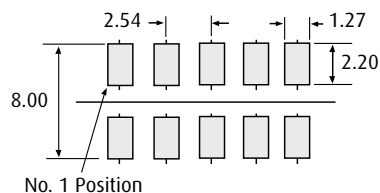
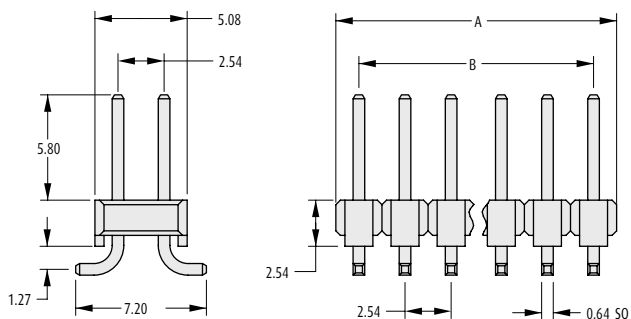


Recommended PC Board Pattern

CALCULATION

- A** 2.54 x No. of ways per row
- B** 2.54 x (No. of ways per row - 1)

DOUBLE ROW



Recommended PC Board Pattern

HOW TO ORDER

M20 - 87 X XX XX

SERIES CODE

TAIL SPACING

6	Double Row
7	Single Row

FINISH

06	Tin/Lead
22	Gold + Tin/Lead
42	Gold + Tin
46	Tin

NO. OF WAYS PER ROW

02 to 40

www.harwin.com

