



Bowden Cable for Power Entry Modules



Type A (Snap-in mounting)

Type B (Screw-on mounting)



Description

- Component:
Snap-in or screw-on mounting, front or rear-side
- Approved together with power entry module

Characteristics

- Designed for universal industrial applications

References

Fits to type: [CD-Bowdencable](#); [CG-Bowdencable](#); [KD-Bowdencable](#); [KG-Bowdencable](#)

Weblinks

[pdf-datasheet](#), [html-datasheet](#), [General Product Information](#), [Approvals](#), [CE declaration of conformity](#), [RoHS](#), [CHINA-RoHS](#), [Mating Connectors](#), [e-Shop](#), [SCHURTER-Stock-Check](#), [Distributor-Stock-Check](#), [CAD-Drawings](#), [Accessories](#), [Mounting instruction](#), [Detailed request for product](#)

Remote Actuator Technology

The remote actuator cable assembly consists of a wire cable inside of a plastic insulated spiral wire casing. Identifying a proper routing of the cable assembly is important. Deviations from line to line placement will require bends in the cable with resulting losses in the overall assembly. These inefficiencies show up as friction losses and lost motion. Frictional losses are increases in actuation force due to losses in the assembly. Lost motion is an undesirable difference between the input end of the assembly and the output end. The principle element of lost motion is backlash and deflection. Backlash is caused by the wire cable moving inside the casing with the change in direction of motion. It is the function of clearance between the wire cable and casing, plus the number of degrees of bend in the cable assembly. Deflection of the cable assembly, while usually low, can be minimized by anchoring the casing.

This is especially true in those applications of cable assemblies with long lengths and/or large degrees of bend in the system.

All of these losses and resulting inefficiencies can be reduced by the equipment designer through minimizing the total degrees of bend in the assembly. Because of the number of variables effecting proper operation of any remotely actuated switch assembly, it is important that the ordering instructions be used to determine proper cable length and to provide samples for customer approval.

Consult figure for minimum information required to describe cable assembly application.

How to specify length of a Bowden cable:

R Mounting parallel to direction of actuation

B1 Actuating part

B2 Power entry module

S Mounting 90° to direction of actuation

B1 Actuating part

B2 Power entry module

R a / b / c /

S a / b / c /

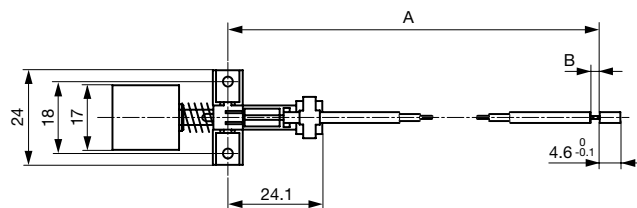
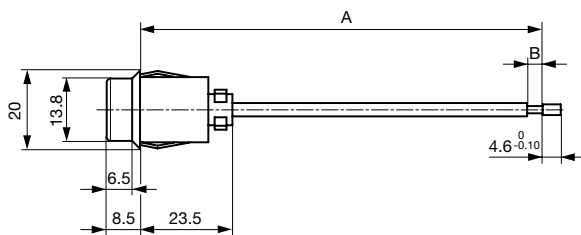
Ordering example:

The following 3 positions are necessary to place an order:

1. Order No. socket KD14.4199.151
2. Order No. fuse drawer 4303.2024.03
3. Bowden cable (type of mounting /dimensions in mm) *R a/200 b/180 c/40

* The Order No. for a customer specific Bowden cable you'll get with the acknowledgment. Delivery time for a customer specific Bowden cable sample approx. 2 weeks. Standard Bowden cable sample, Order No. 0886.0101, ex stock

Dimensions

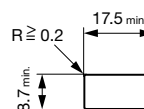
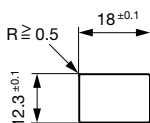


Type A (Snap-in mounting)

Dimension A will be evaluated and defined in trials by SCHURTER based on customer information a, b and c. (See Type R and Type S diagram below.)

Type B (Screw-on mounting)

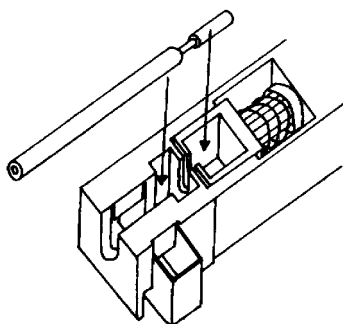
Dimension A will be evaluated and defined in trials by SCHURTER based on customer information a, b and c. (See Type R and Type S diagram below.)



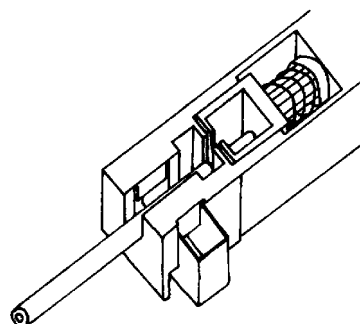
Panel cut-out for snap-in version

Panel cut-out for screw version

Mounting instructions

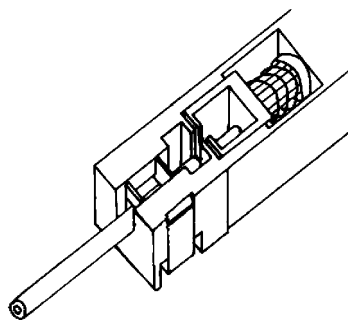


Drop bowden barrel into seat of switch

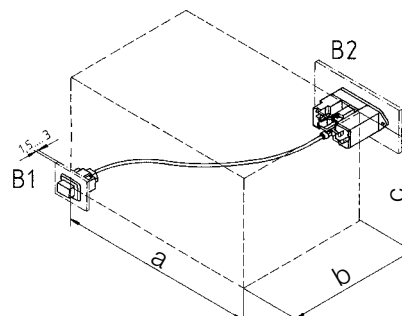


Slide clamp around cable

Type R



Bowden cable locked into assembly



Type R

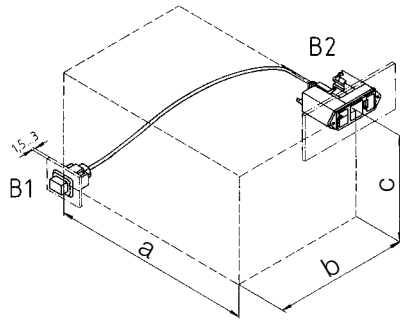
R Mounting parallel to direction of actuation

B1 Actuation part

B2 Power entry module

Dimensions in mm (center of mounting Ø [B1], outer surface to center of mounting Ø [B2] outer surface)

Type S



Type S

S Mounting 90° to direction of actuation

B1 Actuating part

B2 Power entry module

Dimensions in mm (center of mounting Ø [B1], outer surface to center of mounting

Ø [B2], outer surface)

Packaging unit 50 Pcs
