

Dialight

609 Series

LED Panel Mount Indicators for 9.35mm Mounting Hole w/ Optional Watertight Capability



FEATURES / BENEFITS

- ▲ RoHS compliant*
- ▲ Long Life - typically 100K hours
- ▲ Low power consumption - uses up to 90% less energy than an incandescent indicator
- ▲ No heat generated
- ▲ Colors include red, green, and yellow
- ▲ Front panel mounting
- ▲ LED can be recessed or protrude from housing (see figure below)
- ▲ Available Watertight version: NEMA 4x/IP66

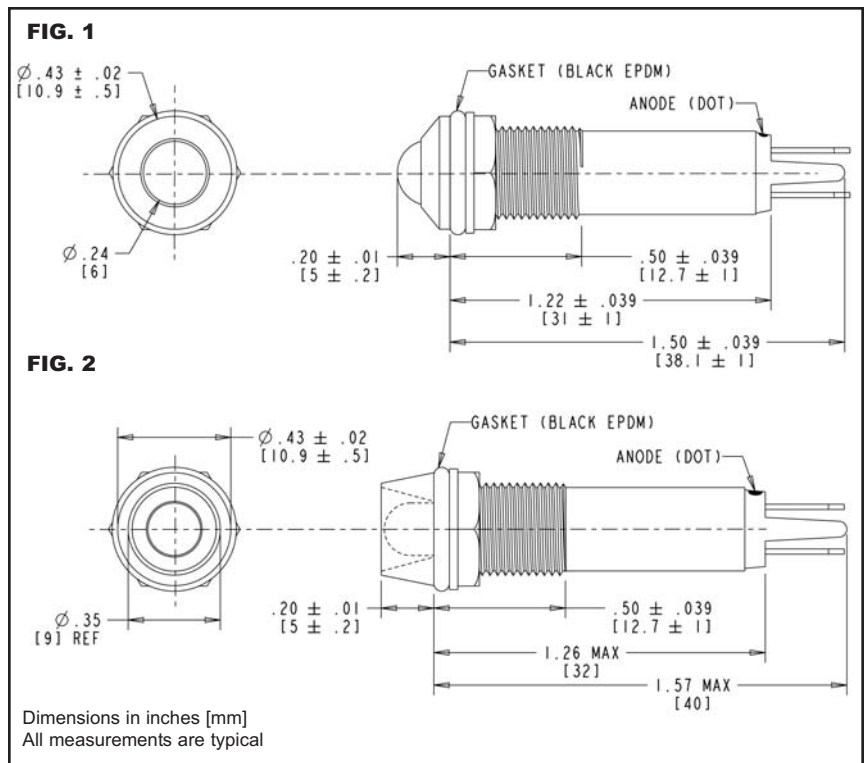
APPLICATIONS

Dialight's 600 series of metric indicators are designed for a variety of applications such as:

- Main and remote power indication
- Status Indication
- Maintenance and warning indication
- Instrumentation
- ...and many more!

SPECIFICATIONS

- ▲ Voltage requirements: 6, 12 and 24 VDC (no resistor required)
- ▲ Electrical connection through solder terminals
- ▲ Mounting hole size: 0.368 inches [9.35 mm]
- ▲ Maximum panel thickness:
0.376 inches [9.50mm]
w/ Gasket: 0.318 inches [8.0mm]
- ▲ Mounts with lock washer and nut (0.362 lbs/ft or 5 Kg/cm torque recommended)
- ▲ Operating Temperature : -30°C to +85°C
- ▲ Storage Temperature: -40°C to + 85°C
- ▲ Housing Material: Chrome plated brass or Black painted brass (See ordering note on back)
- ▲ Watertight Seal from front of panel meets NEMA 4X/IP66



*Compliant with exemption 6c, lead used as an alloying element in brass (up to 4% by weight)

Dialight Europe Ltd

Exning Road • Newmarket • Suffolk, United Kingdom, CB8 0AX

Tel :+44 (0)1638 666541 • www.dialight.com



Dialight reserves the right to make changes at any time
in order to supply the best product possible.



Dialight Corporation

1501 Route 34 South • Farmingdale, NJ 07727 USA

Tel: (1) 732-919-3119 • Fax: (1) 732-751-5778 • www.dialight.com



MDEL609X001_E

STANDARD VERSIONS

Part Number*	Color	Voltage (VDC)	Intensity** TYP. (mcd)	LED Positions	Fig.
609-1122-120F	Red	6	60	Protruding	1
609-1222-120F	Green	6	110	Protruding	1
609-1322-120F	Yellow	6	90	Protruding	1
609-1122-130F	Red	12	60	Protruding	1
609-1222-130F	Green	12	110	Protruding	1
609-1322-130F	Yellow	12	90	Protruding	1
609-1122-140F	Red	24	60	Protruding	1
609-1222-140F	Green	24	110	Protruding	1
609-1322-140F	Yellow	24	90	Protruding	1
609-2122-120F	Red	6	60	Recessed	2
609-2222-120F	Green	6	110	Recessed	2
609-2322-120F	Yellow	6	90	Recessed	2
609-2122-130F	Red	12	60	Recessed	2
609-2222-130F	Green	12	110	Recessed	2
609-2322-130F	Yellow	12	90	Recessed	2
609-2122-140F	Red	24	60	Recessed	2
609-2222-140F	Green	24	110	Recessed	2
609-2322-140F	Yellow	24	90	Recessed	2

WATERTIGHT VERSIONS

Part Number*	Color	Voltage (VDC)	Intensity** TYP. (mcd)	LED Positions	Fig.
609-1122-320F	Red	6	60	Protruding	1
609-1222-320F	Green	6	110	Protruding	1
609-1322-320F	Yellow	6	90	Protruding	1
609-1122-330F	Red	12	60	Protruding	1
609-1222-330F	Green	12	110	Protruding	1
609-1322-330F	Yellow	12	90	Protruding	1
609-1122-340F	Red	24	60	Protruding	1
609-1222-340F	Green	24	110	Protruding	1
609-1322-340F	Yellow	24	90	Protruding	1
609-2122-320F	Red	6	60	Recessed	2
609-2222-320F	Green	6	110	Recessed	2
609-2322-320F	Yellow	6	90	Recessed	2
609-2122-330F	Red	12	60	Recessed	2
609-2222-330F	Green	12	110	Recessed	2
609-2322-330F	Yellow	12	90	Recessed	2
609-2122-340F	Red	24	60	Recessed	2
609-2222-340F	Green	24	110	Recessed	2
609-2322-340F	Yellow	24	90	Recessed	2

*Also available in Chrome-plated brass housing. Insert "1" into the 6th position for the part number to designate chrome housing.

Ex: 609-1112-120F

**15 mA current

**Dialight reserves the right to make changes at any time
in order to supply the best product possible.**

Dialight Europe Ltd

Exning Road • Newmarket • Suffolk, United Kingdom, CB8 0AX

Tel: +44 (0)1638 666541 • www.dialight.com



Dialight Corporation

1501 Route 34 South • Farmingdale, NJ 07727 USA

Tel: (1) 732-919-3119 • Fax: (1) 732-751-5778 • www.dialight.com



MDEL609X001_E

Mouser Electronics

Authorized Distributor

Click to View Pricing, Inventory, Delivery & Lifecycle Information:

Dialight:

[609-1312-130F](#) [609-2112-120F](#) [609-2212-130F](#) [609-2312-130F](#) [609-2112-130F](#) [609-1122-120F](#) [609-1312-140F](#)
[609-2212-140F](#) [609-1322-130F](#) [609-2322-130F](#) [609-2122-130F](#) [609-2222-120F](#) [609-2122-120F](#) [609-1222-120F](#)
[609-2312-140F](#) [609-2322-140F](#) [609-2112-140F](#) [609-2122-140F](#) [609-1222-140F](#) [609-1222-130F](#) [609-2222-120](#) [609-](#)
[2222-140](#) [609-2222-130F](#) [609-2322-120F](#) [609-2312-120F](#) [609-2222-330F](#) [609-1222-340F](#) [609-1212-340F](#) [609-](#)
[2222-340F](#) [609-1112-330F](#) [609-2122-330F](#) [609-1122-330F](#) [609-2122-340F](#) [609-1122-340F](#) [609-1112-340F](#) [609-](#)
[2122-320F](#) [609-1312-340F](#) [609-2322-330F](#) [609-2312-340F](#) [609-1322-340F](#) [609-1122-320F](#) [609-2112-330F](#) [609-](#)
[2222-320F](#) [609-1222-330F](#) [609-2312-330F](#) [609-2212-330F](#) [609-1212-330F](#) [609-1222-320F](#) [609-1322-320F](#)