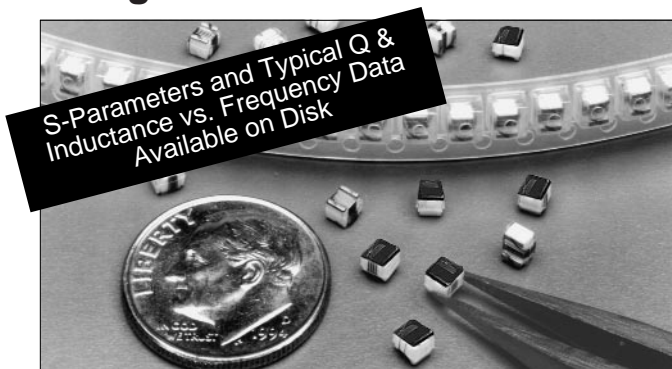


1008CX MINIATURE RF CHIP INDUCTORS

Designed for Wireless Products



S-Parameters and Typical Q & Inductance vs. Frequency Data Available on Disk

- ④ Wirewound ceramic core construction
- ④ High Q values
- ④ High self resonant frequency
- ④ Gold terminations
- ④ Industry standard 1008 (2520) surface mount land pattern

Electrical Specifications @ 25°C

Part Number	Inductance ⁽¹⁾ (nH)	Standard Tolerance	Optional Tolerance	Q ⁽²⁾ Min	SRT Min ⁽³⁾ (MHz)	R _{DC} ⁽⁴⁾ (Ω MAX)	I _{DC} ⁽⁵⁾ (mA MAX)
PE-1008CX040MTG	4.7 @ 50 MHz	±20% (M)	±10% (K)	60 @ 1500 MHz	6000	0.025	1000
PE-1008CX080MTG	8.2 @ 50 MHz	±20% (M)	—	60 @ 1500 MHz	6000	0.050	1000
PE-1008CX100MTG	10 @ 50 MHz	±10% (K)	±5%	50 @ 500 MHz	5000	0.090	1000
PE-1008CX120MTG	12 @ 50 MHz	±10% (K)	±5%	65 @ 500 MHz	2300	0.090	1000
PE-1008CX150MTG	15 @ 50 MHz	±10% (K)	±5%	55 @ 500 MHz	1850	0.190	1000
PE-1008CX180MTG	18 @ 50 MHz	±10% (K)	±5%	55 @ 350 MHz	2200	0.060	1000
PE-1008CX220MTG	22 @ 50 MHz	±10% (K)	±5%	55 @ 350 MHz	1800	0.090	1000
PE-1008CX270KTG	27 @ 50 MHz	±10% (K)	±5%, ±2%, ±1%	60 @ 350 MHz	1500	0.090	1000
PE-1008CX330KTG	33 @ 50 MHz	±10% (K)	±5%, ±2%, ±1%	60 @ 350 MHz	1800	0.180	800
PE-1008CX390KTG	39 @ 50 MHz	±10% (K)	±5%, ±2%, ±1%	70 @ 350 MHz	1400	0.120	1000
PE-1008CX470KTG	47 @ 50 MHz	±10% (K)	±5%, ±2%, ±1%	70 @ 350 MHz	1200	0.075	1000
PE-1008CX560KTG	56 @ 50 MHz	±10% (K)	±5%, ±2%, ±1%	60 @ 350 MHz	1150	0.120	1000
PE-1008CX680KTG	68 @ 50 MHz	±10% (K)	±5%, ±2%, ±1%	70 @ 350 MHz	1100	0.070	1000
PE-1008CX820KTG	82 @ 50 MHz	±10% (K)	±5%, ±2%, ±1%	65 @ 350 MHz	950	0.140	950
PE-1008CX101KTG	100 @ 25 MHz	±10% (K)	±5%, ±2%, ±1%	65 @ 350 MHz	900	0.150	650
PE-1008CX121KTG	120 @ 25 MHz	±10% (K)	±5%, ±2%, ±1%	60 @ 350 MHz	825	0.220	650
PE-1008CX151KTG	150 @ 25 MHz	±10% (K)	±5%, ±2%, ±1%	50 @ 100 MHz	625	0.160	580
PE-1008CX181KTG	180 @ 25 MHz	±10% (K)	±5%, ±2%, ±1%	50 @ 100 MHz	650	0.250	620
PE-1008CX221KTG	220 @ 25 MHz	±10% (K)	±5%, ±2%, ±1%	50 @ 100 MHz	625	0.240	500
PE-1008CX271KTG	270 @ 25 MHz	±10% (K)	±5%, ±2%, ±1%	45 @ 100 MHz	525	0.500	500
PE-1008CX331KTG	330 @ 25 MHz	±10% (K)	±5%, ±2%, ±1%	50 @ 100 MHz	500	0.800	450
PE-1008CX391KTG	390 @ 25 MHz	±10% (K)	±5%, ±2%, ±1%	50 @ 100 MHz	475	0.750	425
PE-1008CX471KTG	470 @ 25 MHz	±10% (K)	±5%, ±2%, ±1%	50 @ 100 MHz	450	0.700	350
PE-1008CX561KTG	560 @ 25 MHz	±10% (K)	±5%, ±2%, ±1%	50 @ 100 MHz	425	0.800	350
PE-1008CX621KTG	620 @ 25 MHz	±10% (K)	±5%, ±2%, ±1%	45 @ 100 MHz	375	1.900	200
PE-1008CX681KTG	680 @ 25 MHz	±10% (K)	±5%, ±2%, ±1%	45 @ 100 MHz	375	2.300	200
PE-1008CX751KTG	750 @ 25 MHz	±10% (K)	±5%, ±2%, ±1%	45 @ 100 MHz	350	1.600	200
PE-1008CX821KTG	820 @ 25 MHz	±10% (K)	±5%, ±2%, ±1%	40 @ 100 MHz	325	3.300	200
PE-1008CX911KTG	910 @ 25 MHz	±10% (K)	±5%, ±2%, ±1%	40 @ 50 MHz	300	2.100	200
PE-1008CX102KTG	1000 @ 25 MHz	±10% (K)	±5%, ±2%, ±1%	40 @ 50 MHz	300	1.700	200
PE-1008CX122KTG	1200 @ 10 MHz	±10% (K)	±5%, ±2%, ±1%	40 @ 50 MHz	250	3.000	200
PE-1008CX152KTG	1500 @ 10 MHz	±10% (K)	±5%, ±2%, ±1%	40 @ 50 MHz	200	3.800	150
PE-1008CX182KTG	1800 @ 10 MHz	±10% (K)	±5%, ±2%, ±1%	40 @ 50 MHz	150	4.000	150
PE-1008CX222KTG	2200 @ 10 MHz	±10% (K)	±5%, ±2%, ±1%	30 @ 25 MHz	80	4.400	150
PE-1008CX272KTG	2700 @ 10 MHz	±10% (K)	±5%, ±2%, ±1%	30 @ 25 MHz	90	7.000	150
PE-1008CX332KTG	3300 @ 10 MHz	±10% (K)	±5%, ±2%, ±1%	25 @ 15 MHz	40	7.800	150
PE-1008CX392KTG	3900 @ 10 MHz	±10% (K)	±5%, ±2%, ±1%	20 @ 15 MHz	35	8.300	135
PE-1008CX472KTG	4700 @ 10 MHz	±10% (K)	±5%, ±2%, ±1%	16 @ 15 MHz	25	6.000	150

Notes:

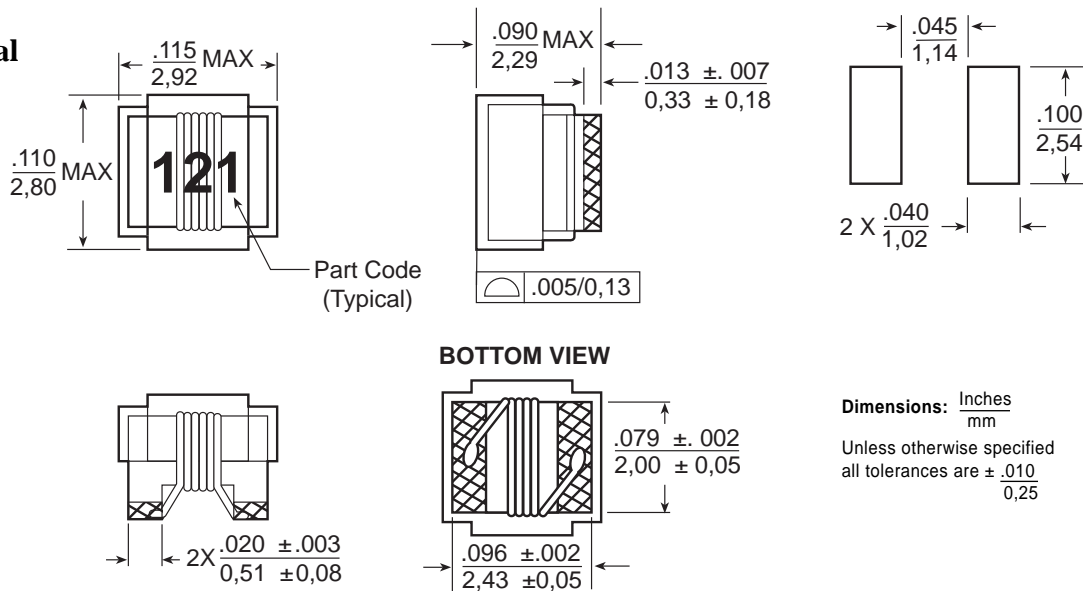
1. Inductance measured using a HP4191A RF Impedance Analyzer.
2. Q measured using a HP4291A RF Impedance Analyzer with a HP16193A Test Fixture.
3. SRF measured using a HP8753C Network Analyzer.
4. R_{DC} measured using a Valhalla Scientific model 4100 ATC Digital Ohmmeter.
5. Based on a 15°C maximum temperature rise.
6. Sample Kit Part Number: PE-1008CXXKIT-G
7. Component Weight: 0.032 grams typical.
8. S-Parameters and Q & inductance vs. frequency information available on 3.5" disk. Please request AN944-1.

1008CX MINIATURE RF CHIP INDUCTORS



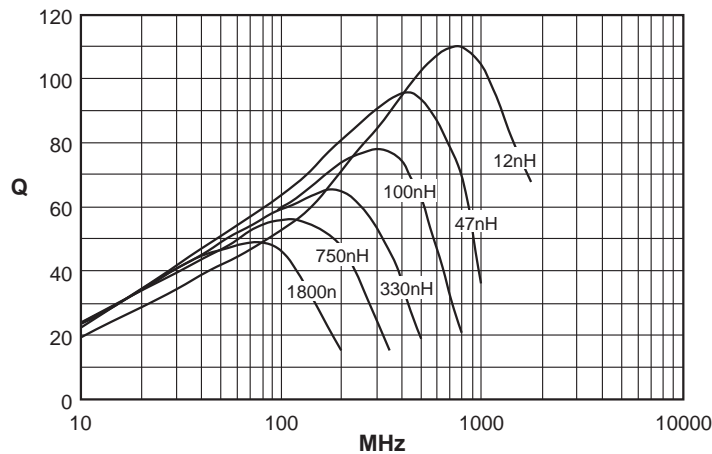
Designed for Wireless Products

Mechanical



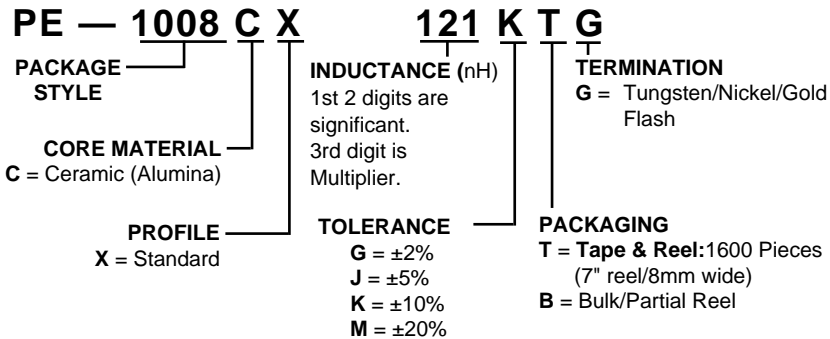
Dimensions: $\frac{\text{Inches}}{\text{mm}}$
Unless otherwise specified
all tolerances are $\pm \frac{.010}{0,25}$

Typical Q vs Frequency



Part Number Legend

EXAMPLE: 1008 Size, Ceramic Core,
Standard Height, 120 nH, 10%
Tolerance, Tape & Reel,
Gold Termination



For More Information :

Corporate

12220 World Trade Drive
San Diego, CA 92128
Tel: 619 674 8100
FAX: 619 674 8262
<http://www.pulseeng.com>
Quick-Facts: 619 674 9672

Europe

1 & 2 Huxley Road
The Surrey Research Park
Guildford, Surrey GU2 5RE
United Kingdom
Tel: 44 1483 401700
FAX: 44 1483 401701

Asia

150 Kampong Ampat
#07-01/02
KA Centre
Singapore 368324
Tel: 65 287 8998
FAX: 65 280 0080

Distributor

Performance warranty of products offered on this data sheet is limited to the parameters specified. Data is subject to change without notice.

Printed on recycled paper. ©1999, Pulse Engineering, Inc.

W701.C (1/99)