

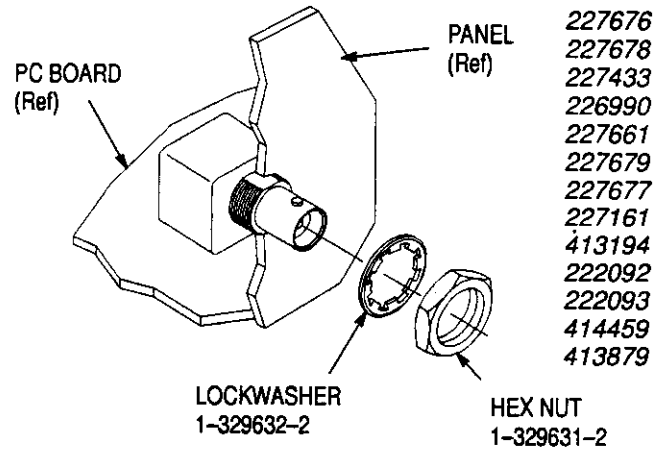
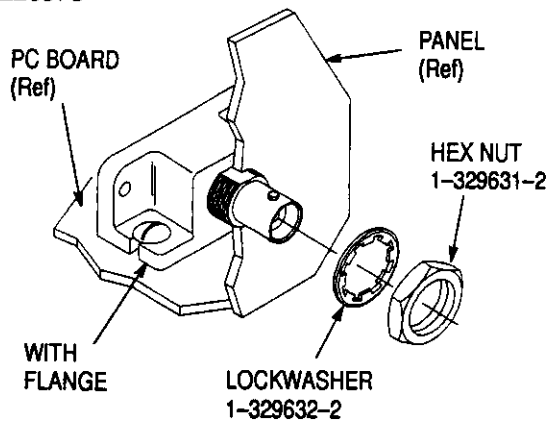


AMP* Commercial BNC Jack Connectors
 for PC Board and Panel Mounting

CONNECTOR P/N
 226978

RIGHT-ANGLE MOUNTING

CONNECTOR P/N



- 227676
- 227678
- 227433
- 226990
- 227661
- 227679
- 227677
- 227161
- 413194
- 222092
- 222093
- 414459
- 413879

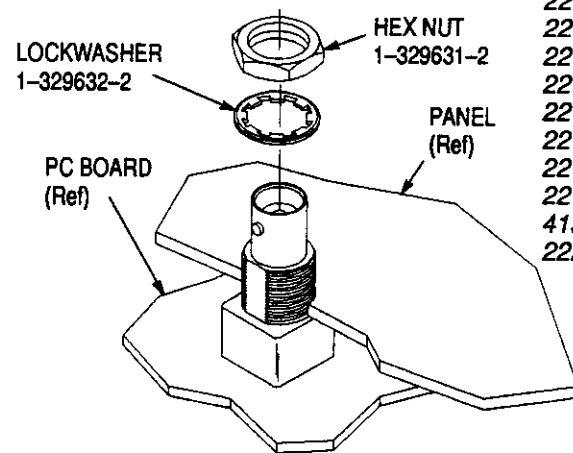
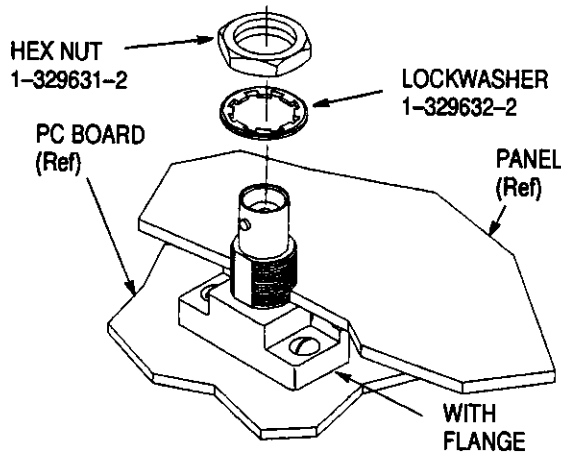
NOTE SEE FIGURE 2(A) FOR MOUNTING DIMENSIONS

NOTE SEE FIGURE 2(B) FOR MOUNTING DIMENSIONS

CONNECTOR P/N
 226987

VERTICAL MOUNTING

CONNECTOR P/N



- 226993
- 227670
- 227671
- 227674
- 227675
- 227672
- 227673
- 227222
- 413528
- 222132

NOTE SEE FIGURE 2(C) FOR MOUNTING DIMENSIONS

NOTE SEE FIGURE 2(D) FOR MOUNTING DIMENSIONS

Figure 1

200-153E

1. INTRODUCTION

This instruction sheet covers the installation of AMP Commercial BNC Jack Connectors with the base part numbers listed in Figure 1.

NOTE

All dimensions on this sheet are in millimeters [with inch equivalents provided in brackets]. Illustrations are for identification only and are not drawn to scale.

2. DESCRIPTION

These connectors are designed for printed circuit (pc) board and panel-mount applications. There are styles available with and without mounting flanges for right-angle and vertical-mount installation, with metal and plastic body materials, with and without mounting posts, and with tin-, silver-, and gold-plated center contacts. The style used will depend on the

application requirements. Refer to the applicable AMP Customer Drawing for additional information.

3. MOUNTING PROCEDURE (Figure 2)

A. PC Board Mounting

NOTE

The maximum recommended pc board thickness is 3.175 mm [.125 in].

1. Make a hole layout in the pc board using the dimensions provided in the illustration for the connector being installed.
2. Secure the connector to the pc board.
 - a. If mounting a connector with mounting flanges, use two 5-40 screws, and secure the connector to the board with two nuts on the underside of the pc board.
 - b. If mounting a connector without mounting flanges and without mounting posts, use two

2-56 self-tapping screws, and secure the connector through the underside of the pc board.

NOTE

For flangeless, metal-body connectors, use 6.350 mm [.250 in.] self-tapping screws (AMP part no. 221108-4) with 1.587 mm [.0625 in.] thick pc board, and 7.925 mm [.312 in.] self-tapping screws (AMP part no. 221108-2) with 3.175 mm [.125 in.] thick pc board. For flangeless, plastic-body connectors, use 7.925 mm [.312 in.] self-tapping screws (AMP part no. 221108-2) with either pc board thickness.

c. If mounting a connector without mounting flanges and with mounting posts, solder the posts in the mounting holes.

B. Panel Mounting

NOTE

The recommended panel thickness is from 1.168 mm [.046 in.] through 6.350 mm [.250 in.].

1. If the connector is to be mounted through a panel, make a D-shaped hole using the applicable dimensions provided in the illustration below.
2. Secure the connector to the panel with AMP Hex Nut 1-329631-2 and AMP Lockwasher 1-329632-2, or equivalent.

NOTE

Signal and ground posts should be hand- or wave-soldered to the pc board.

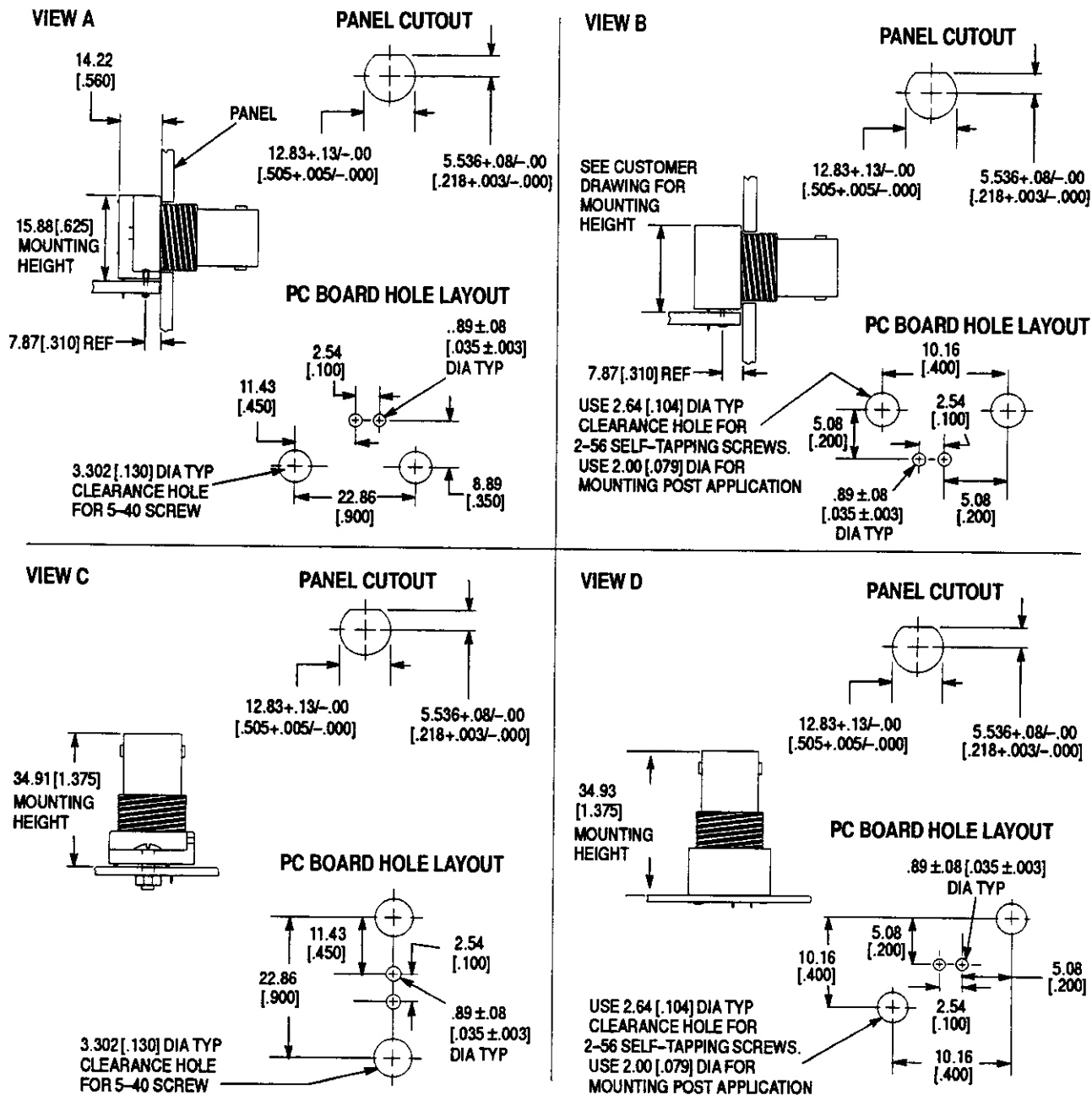


Figure 2

200-154E