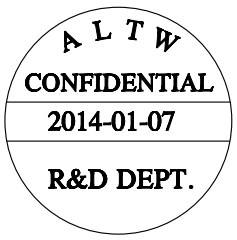
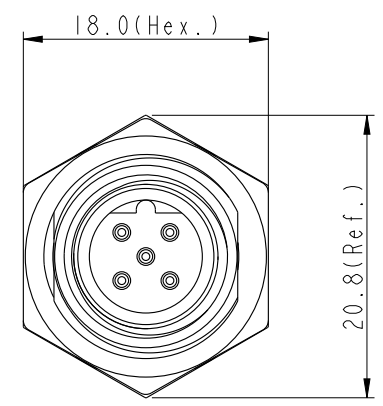
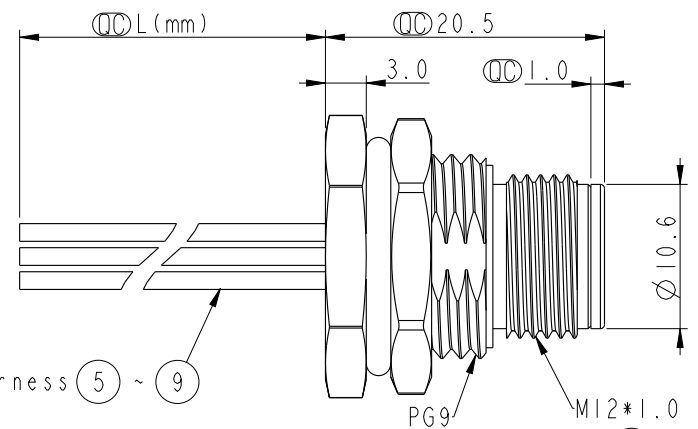


THIS DOCUMENT IS SUBJECT TO CHANGE WITHOUT NOTICE. IT IS CONFIDENTIAL AND A PROPERTY OF AMPHENOL LTW. DISCLOSURE TO THIRD PARTY HAS TO BE AUTHORIZED BY AMPHENOL LTW.

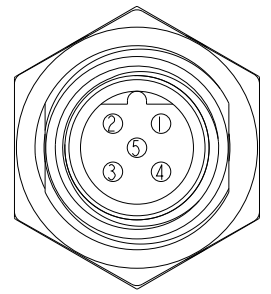
REV.	ECN NO.	DATE	SIGN	DESCRIPTION
B	LE31410230~32	2014-01-07	Tony_leng	Change Ball No. & Wire Length

12B-05PMMS-SF8BXX $\triangle B$

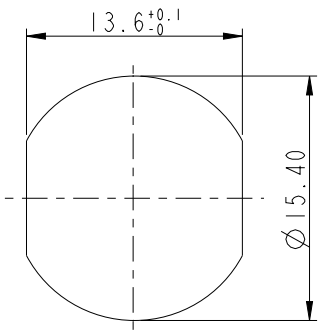
XX: 150~1500mm
 15: 150mm
 30: 300mm
 50: 500mm
 A0: 1000mm
 A5: 1500mm
 Wire Length(L): 150~1500mm



Wire Harness (5) ~ (9)
 With Liquid Glue (2)
 O-Ring (3) (4) Screw Nut
 (1) 12B-05PMMS-SF8B00



Pin Assignment Front View



Recommended Panel Cut-Out

5	Gray	灰
4	Black	黑
3	Blue	藍
2	White	白
1	Brown	棕
Conn.	Wire Color	Pin Out

Note:
 * $\text{\textcircled{O}}$ Important Dimension.
 * Waterproof Rate: IP68
 * Housing: Black, Nylon+GF
 * Male Pin: Copper Alloy, Gold Plated
 * Shield: Zinc Alloy, Nickel Plated
 * Nut: Zinc Alloy, Nickel Plated
 * O-Ring: Black, EPDM
 * Wire Harness: UL1061, 22AWG
 * For Panel Thickness Max 4.5mm
 * Nut Torque: 4-6 Kgf.cm
 * Wire harness Tolerance: 150~300±15mm
 301~1000±20mm
 Over1000 ±40mm

UNIT:mm

TOLERANCE	
.X	±0.25
.XX	±0.1
.XXX	±0.05
ANGLES	±1°

TITLE M12 Conn. Panel Screw 5Pin B Code M Conn M Pin			
SCALE	SIZE	SHEET	OF
1:1	A4	1	1
REV.	WC-REV.	$\text{\textcircled{O}}$: Inspection item	
B	A.6		

Amphenol LTW
 安費諾亮泰企業股份有限公司

ITEM NO	DRAWN BY	DATE
	Tony_leng	2014-01-07
DWG NO	CHECKED BY	DATE
12B-05PMMS-SF8BXX	Jimmy	2014-01-07
CUSTOMER	APPROVED BY	DATE
ALTW	Jerry	2014-01-07

