

SCALA NON IMPEGNATIVA
(DO NOT SCALE)
DIMENSIONI IN mm
(DIMENSIONS IN mm)

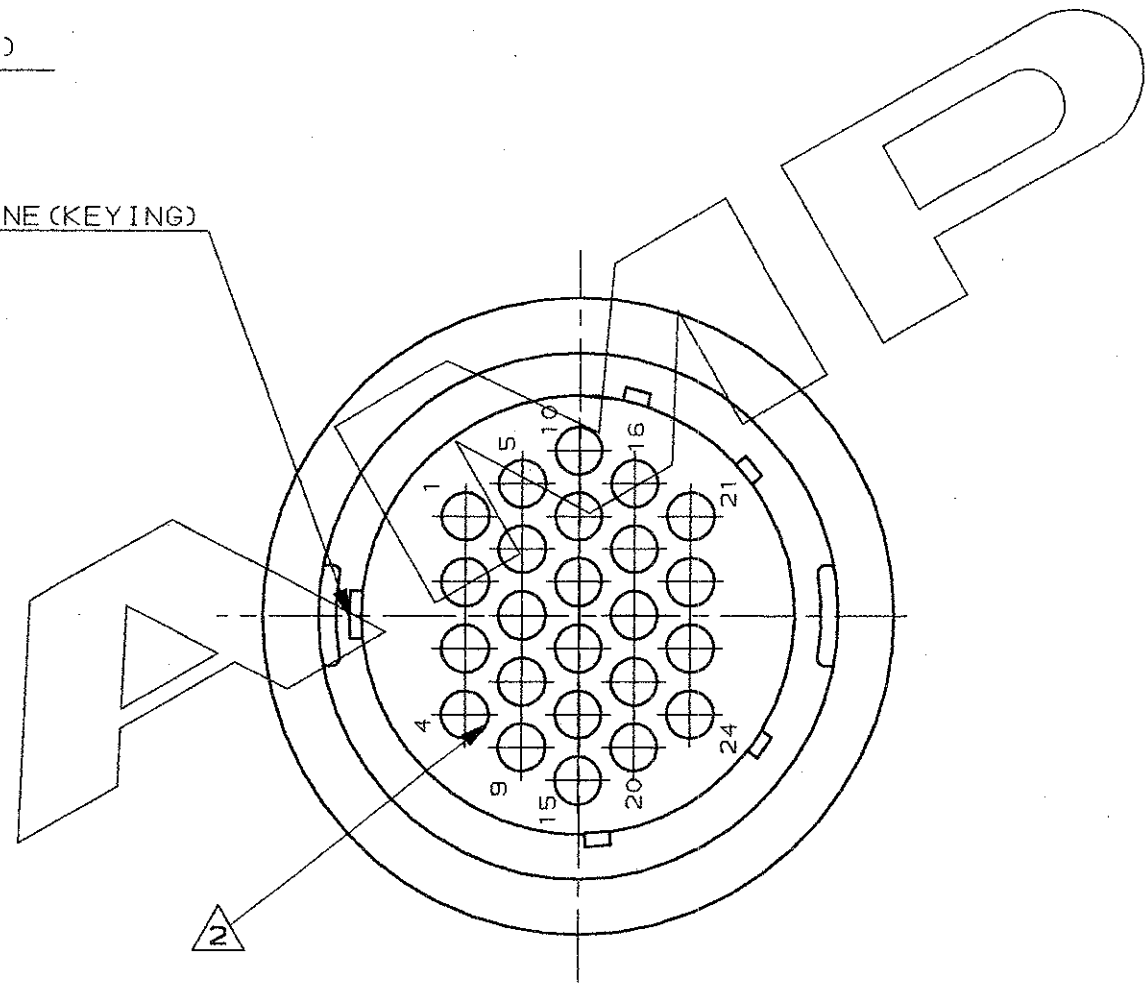
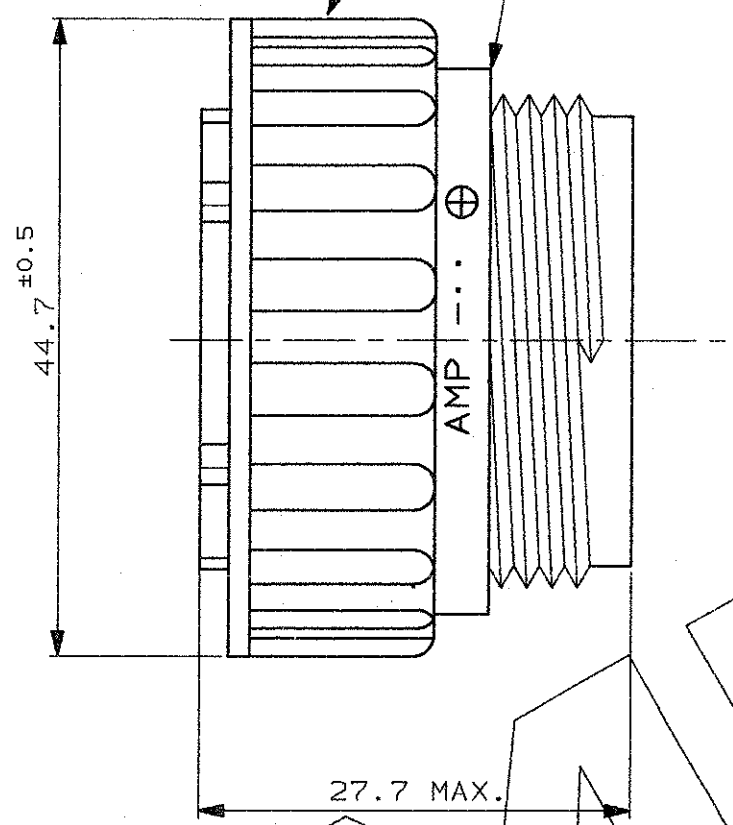
METRIC

PROIEZIONE EUROPEA
(EUROPEAN PROJECTION)

GHIERA DI ACCOPPIAMENTO (COUPLING RING)

CORPO CONNETTORE (PLUG HOUSING)

POLARIZZAZIONE (KEYING)



NOTE (NOTES)

1. MATERIALE CORPO: PA 6-6 CARICATO VETRO UL RECOGNIZED, COLORE NERO
(MATERIAL PLUG HOUSING: PA 6-6 G.F. FILLED UL RECOGNIZED, COLOR BLACK)

2. OGNI CAVITA' E' IDENTIFICATA DAL NUMERO POSTO SIA SUL FRONTE CHE SUL RETRO DEL CONNETTORE.
(CONTACT CAVITIES IDENTIFIED BY CHARACTERS)
(ON FRONT AND REAR FACES OF CONNECTOR.)

3. QUESTO CONNETTORE E' APPROVATO CON FILE N.E28476 E CERTIFICATO CON FILE N.LR7189A-259
(THIS CONNECTOR IS RECOGNIZED BY FILE N.E28476 AND CERTIFIED BY FILE N.LR7189A-259)

IL DISEGNO INDICA IL P.N. 183073-1
(P.N. 183073-1 AS SHOWN)

CUSTOMER DRAWING FOR REFERENCE ONLY		DISEGNO PER CLIENTE SOLO PER RIFERIMENTO	
THIS DRAWING IS UNPUBLISHED		RELEASE FOR PUBLICATION 1991	
© COPYRIGHT 19 BY AMP INCORPORATED, HARRISBURG, PA. ALL INTERNATIONAL RIGHT RESERVED. AMP PRODUCTS MAY BE COVERED BY U.S. AND FOREIGN PATENT AND/OR PATENT PENDING			
TOLLERANZE, SE NON DIVERSAMENTE SPECIFICATO (TOLERANCES, UNLESS OTHERWISE SPECIFIED)	DIAM. ISOLANTE (INS. DIA. RANGE)	RANGO FILO (WIRE RANGE)	SCALA (SCALE)
± 0.3	-	-	-
ANGOLI (ANGLES)	AMP AMP ITALIA S.p.A. Corso F.lli Cervi, 15 COLLEGNO (TORINO)		
DIS. (DR.)	18 MAR. '94	DESCRIZIONE (DESCRIPTION)	C.P.C. PLUG ASS'Y SIZE 23-24 STD SEX SERIES 1
A1 REVISED	ET00 0123-99	G.S. 02/92	CONT. (CHK)
A	RELEASED FOR PROD. ET00-0226-94	C.P.	17/91
REV.	REVISIONI (REVISION RECORD)	DIS. (DR)	DATA (DATE)
APP. (APP.)		LOC. SIZE NUMERO (DWG NO)	REV. FOGLIO (SHEET)
R. CANTORE		IA3C-183073	A1 1 OF 1

DISTRIBUZIONE
(PRINT DIST.)

Mouser Electronics

Authorized Distributor

Click to View Pricing, Inventory, Delivery & Lifecycle Information:

[TE Connectivity:](#)

[183073-1](#)