

High Pressure Ball Valves **HYDAC**

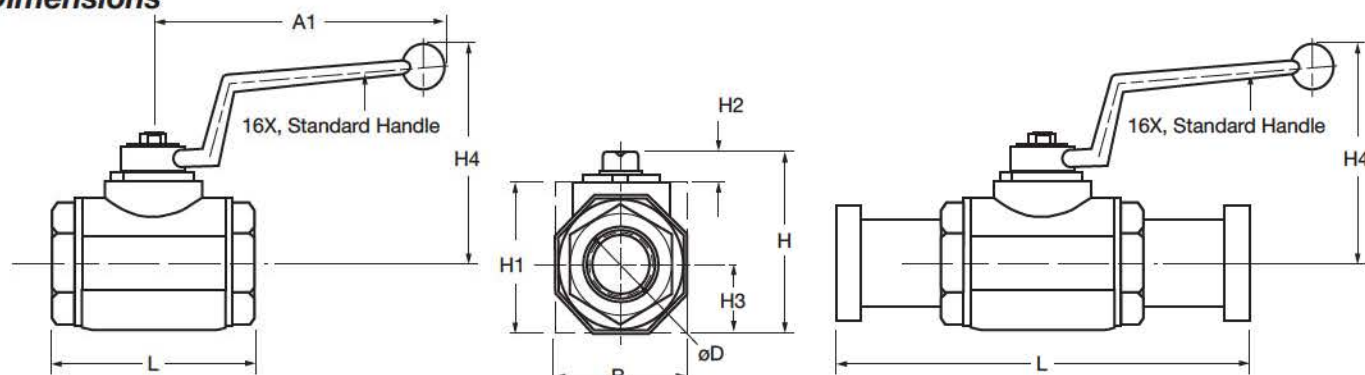
KHM Series 2-way Stainless Steel Ball Valves



Specifications:

- 1/4" to 2" Full Port Design
- Connection types available:
NPT: Tapered Pipe Threads, ANSI/ASME B.1.20.1
SAE: SAE J1926/1 Straight Thread O-ring Boss Port
F3: SAE J518 (Code 61), split flange halves not included.
F6: SAE J518 (Code 62), split flange halves not included.
- Materials:
Housing, Ball and Spindle made of 1.4571 SS (~316 SS)
Polyacetal (POM + MoS2) Ball Seals
Fluorocarbon (FPM) O-rings
- Offset Zinc-plated Steel Handles
- Temperature Range: -4° to 176°F at full pressure

Dimensions



Nom. Size	Connection Size/Type	Model Code	Part Number	Press Rating	Dimensions in millimeters								
					A1	B	øD	H	H1	H2	H3	H4	L
DN 06 (1/4")	1/4" NPT	KHM-06NPT-3314-16X	02078586	7250	101	28	6	49	37	8	14	54	69
	SAE-4	KHM-06SAE-3314-16X	02078587	7250	101	28	6	49	37	8	14	54	69
DN 10 (3/8")	3/8" NPT	KHM-10NPT-3314-16X	02078588	7250	101	36	10	53	41	8	18	54	72
	SAE-6	KHM-10SAE-3314-16X	02077119	7250	101	36	10	53	41	8	18	54	72
DN 16 (1/2")	1/2" NPT	KHM-16NPT-3314-16X	02078589	5800	175	46	16	66	49	8	23	91	83
	SAE-8	KHM-16SAE-3314-16X	02066415	5800	175	46	16	66	49	11	23	91	83
	1/2" code 61	KHM-16F3-3314X-16X	02077118	5000	175	46	16	66	49	11	23	91	150.8
	1/2" code 62	KHM-16F6-3314X-16X	02078590	5800	175	46	16	66	49	11	23	91	150.8
DN 20 (3/4")	3/4" NPT	KHM-20NPT-3314-16X	02066406	5000	175	56	20	78	60	12	28	98	95
	SAE-12	KHM-20SAE-3314-16X	02078591	5000	175	56	20	78	60	12	28	98	95
	3/4" code 61	KHM-20F3-3314X-16X	02078592	5000	175	56	20	78	60	12	28	98	169.8
	3/4" code 62	KHM-20F6-3314X-16X	02068045	5000	175	56	20	78	60	12	28	98	169.8
DN 25 (1")	1" NPT	KHM-25NPT-3314-16X	02078593	5000	175	65	25	83	66	12	30	101	113
	SAE-16	KHM-25SAE-3314-16X	02078594	5000	175	65	25	83	66	12	30	101	113
	1" code 61	KHM-25F3-3314X-16X	02070901	5000	175	65	25	83	66	12	30	101	176.5
	1" code 62	KHM-25F6-3314X-16X	02073032	5000	175	65	25	83	66	12	30	101	198.5
DN 32 (1-1/4")	1-1/4" NPT	KHM-32NPT-3314-16X	02062809	5000	306	78	30	104	86	12	39	151	110
	SAE-20	KHM-32SAE-3314-16X	02078359	5000	306	78	30	104	86	12	39	151	110
	1-1/4" code 61	KHM-32F3-3314X-16X	02077117	4000	306	78	30	104	86	12	39	151	191.4
	1-1/4" code 62	KHM-32F6-3314X-16X	02078595	5000	306	78	30	104	86	12	39	151	223.4
DN 40 (1-1/2")	1-1/2" NPT	KHM-40NPT-3314-16X	02062807	5000	306	91	38	117	99	12	46	157	130
	SAE-24	KHM-40SAE-3314-16X	02070209	5000	306	91	38	117	99	12	46	157	130
	1-1/2" code 61	KHM-40F3-3314X-16X	02069236	3000	306	91	38	117	99	12	46	157	231
	1-1/2" code 62	KHM-40F6-3314X-16X	02073038	5000	306	91	38	117	99	12	46	157	281
DN 50 (2")	2" NPT	KHM-50NPT-3314-16X	02065778	5000	306	109	48	133	115	12	55	164	140
	SAE-32	KHM-50SAE-3314-16X	02078596	5000	306	109	48	133	115	12	55	164	140
	2" code 61	KHM-50F3-3314X-16X	02078597	3000	306	109	48	133	115	12	55	164	234
	2" code 62	KHM-50F6-3314X-16X	02072531	5000	306	109	48	133	115	12	55	164	315

Dimensions are for general information only, all critical dimensions should be verified by requesting a certified print.
Dimensions are in mm.

For information on stainless steel code 61 & 62 flanges, see page 151.

Model Codes containing selections listed in RED are non-standard items – Minimum quantities will apply – Contact HYDAC for information and availability