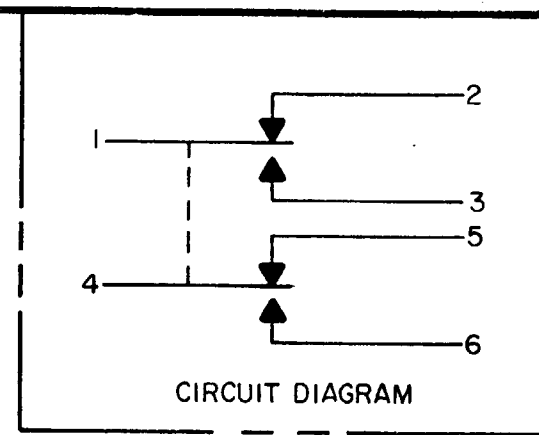
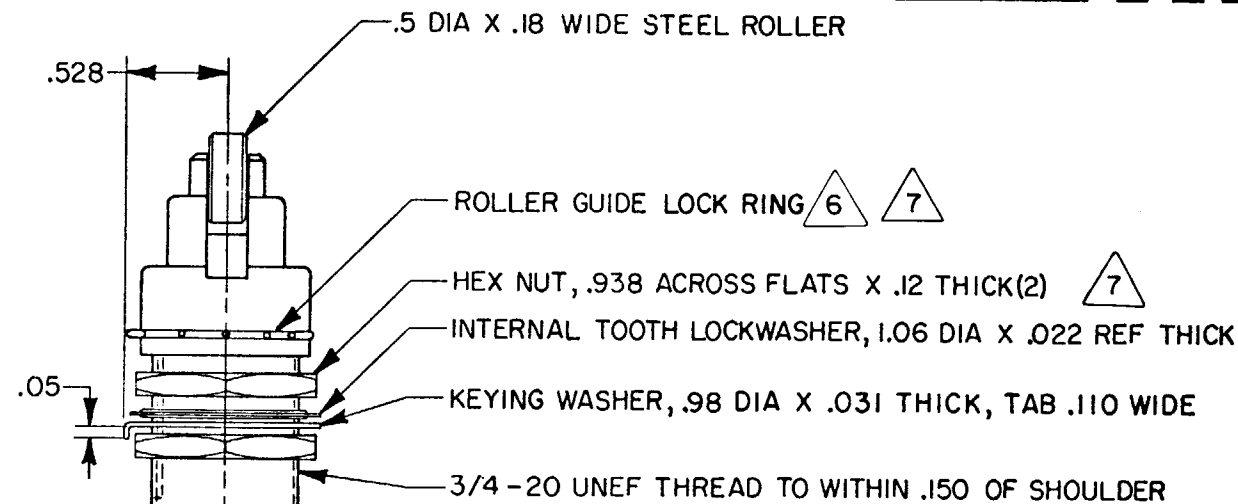
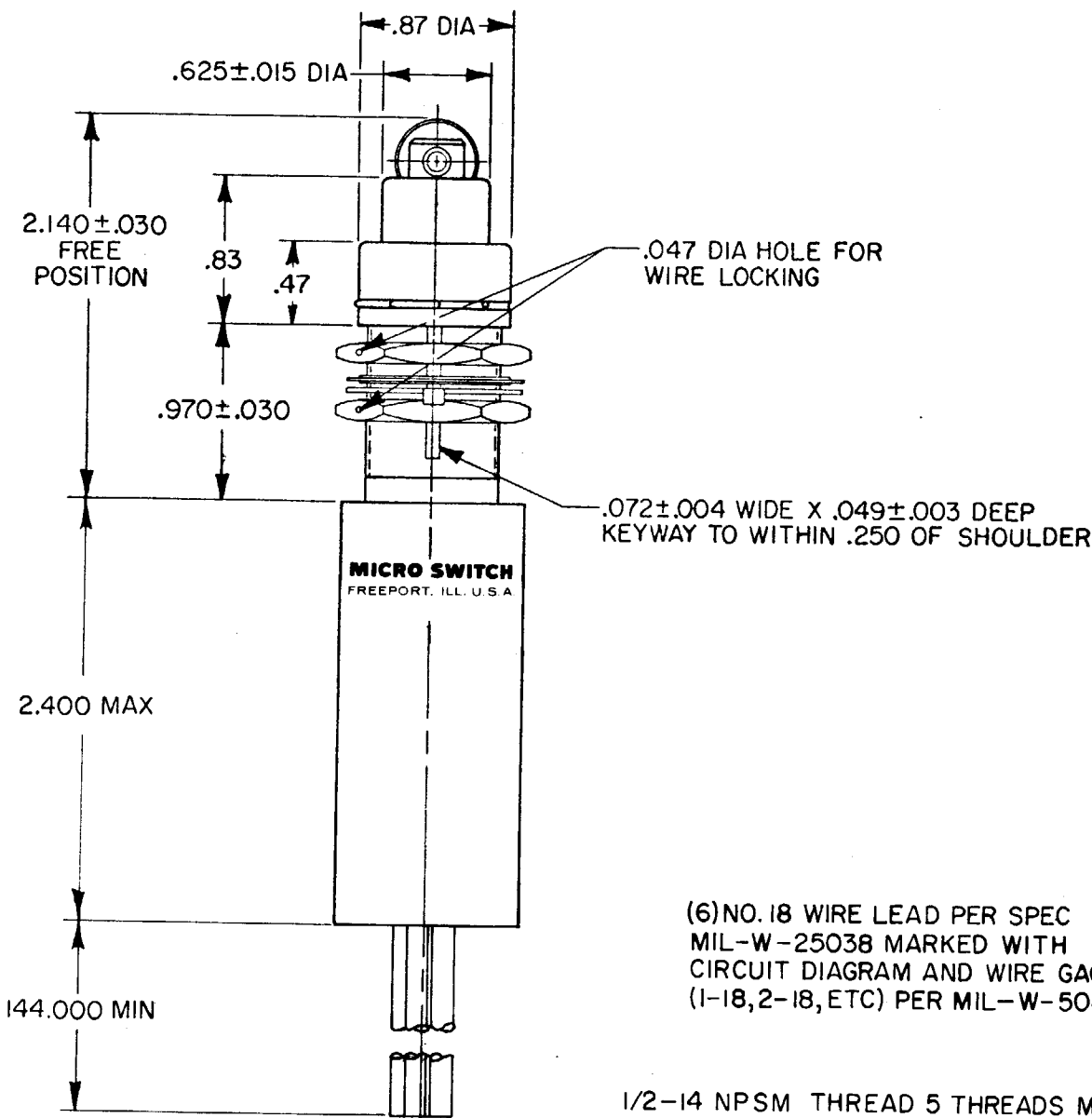
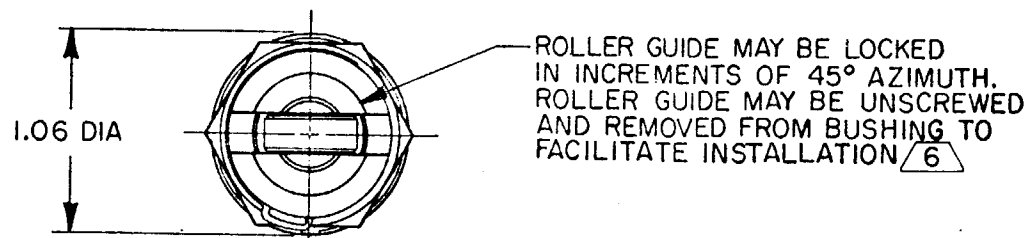


MICRO SWITCH
 FREEPORT ILLINOIS U.S.A.
 A DIVISION OF HONEYWELL
 FED. MFG. CODE 91929

SWITCH-ENCLOSED

CATALOG LISTING
22HR29-12



NOTES

- 1 SWITCH WILL OPERATE SATISFACTORILY IN TEMPERATURES FROM -85°F TO +599°F
- 2 SWITCH SEALED PER MIL-S-8805 SYMBOL 5 SWITCH CHAMBER. WATERTIGHT TEST NOT APPLICABLE
- 3 ALL EXPOSED PARTS ARE CORROSION RESISTANT
- 4 CIRCUIT DIAGRAM PERMANENTLY MARKED ON SWITCH HOUSING
- 5 LEAD IDENTIFICATION IS SHOWN ON CIRCUIT DIAGRAM
- (6) TO ADJUST ROLLER DIRECTION, REMOVE ROLLER GUIDE LOCK RING, SCREW ROLLER GUIDE DOWN AS FAR AS POSSIBLE, THEN UNSCREW TO DESIRED DIRECTION, SECURE BY REPLACING ROLLER GUIDE LOCK RING
- (7) HARDWARE MAY BE PACKAGED UNASSEMBLED PER MIL-S-8805
- 8 COINCIDENCE OF OPERATING AND RELEASING POINTS .005 INCH OF PLUNGER TRAVEL

(6) NO. 18 WIRE LEAD PER SPEC MIL-W-25038 MARKED WITH CIRCUIT DIAGRAM AND WIRE GAGE (1-18, 2-18, ETC) PER MIL-W-5088

1/2-14 NPSM THREAD 5 THREADS MIN

THIS DRAWING COVERS A PROPRIETARY ITEM AND IS THE PROPERTY OF MICRO SWITCH, A DIVISION OF HONEYWELL. THIS DRAWING IS NOT TO BE COPIED OR USED WITHOUT THE APPROVAL OF MICRO SWITCH.

THIRD ANGLE PROJECTION

SCALE FULL

DO NOT SCALE PRINT

TOLERANCES
 APPLY TO DESIGN UNITS. CONVERSIONS ARE ONLY FOR REFERENCE. UNLESS NOTED, TOLERANCES ARE ±

DIM.	TOL.	DIM.	TOL.
mm	mm/in	in	mm/in
NO PLACES	X	1/04	
ONE PLACE	X,X	0.4/0.16	X,X 0.8/0.03
TWO PLACES	X,XX	0.15/0.06	X,XX 0.38/0.015
THREE PLACES	X,XXX		X,XXX 0.13/0.005

DESIGN UNITS SI METRIC US CUSTOMARY

RAW MATERIAL-COMMERCIAL STANDARD
 MICRO SWITCH STANDARDS APPLY
 DIMENSIONS ARE TO BE MET BEFORE
 PROTECTIVE COATINGS ARE APPLIED

WEIGHT 15.7 OZ MAX

CHARACTERISTICS	
OPERATING FORCE	6-12 LB
FULL OVERTRAVEL FORCE	35 LB MAX
RELEASE FORCE	5 LB MIN
PRETRAVEL	.050 MAX
DIFFERENTIAL TRAVEL	.015 MAX
OVERTRAVEL	.250 MIN

ELECTRICAL DATA	
CONTACT ARRANGEMENT SPDT (2)	
LOAD	28 VDC
	SEA LEVEL 50,000 FT.
RES	5
IND	2
MOTOR	

22HR29-12

M

DRAWING NUMBER

128

ISSUE 14

REPLACES

RELEASE NO. PR-8638

CHECK

REVISIONS

A	PR-8638	D J W	22 APR 80
B	CO47573	TSM	17 JULY 80
C	CO47277	J A P	9 JAN 81

CHECK

23 APR 80

CHECK

80

22 APR

D J W

FO-52851-A

Mouser Electronics

Authorized Distributor

Click to View Pricing, Inventory, Delivery & Lifecycle Information:

[Honeywell:](#)

[22HR29-12](#)