



General Specifications

Motor Protection:

Auto Restart/Polarity Protection

Insulation Resistance: 10M Ω or over with a DC500V Megger

Dielectric Withstand Voltage: AC 700V 1s

Allowable Ambient Temperature Range:

-10°C ~ +60°C (Operating)

-40°C ~ +70°C (Operating)

(non-condensing environment)

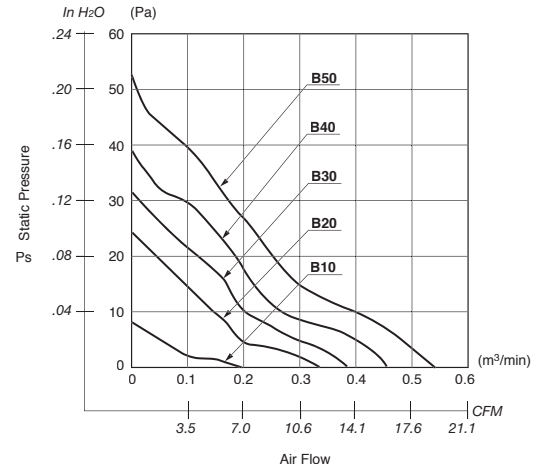
Expected Life

Failure Rate: 10%

25°C 70,000 Hours (L00)

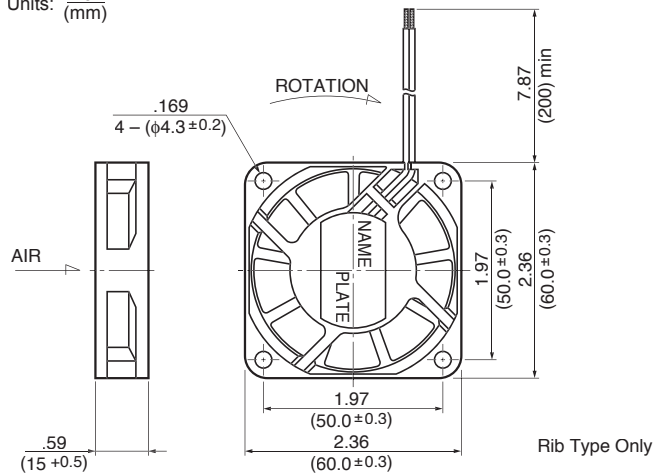
25°C 60,000 Hours (T00)

Characteristic Curves

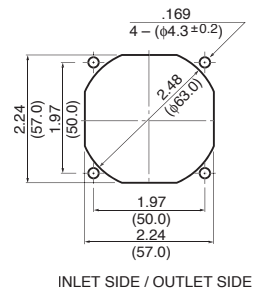


Outline

Units: $\frac{\text{inch}}{\text{mm}}$



Panel Cut-outs



Material

Casing : Plastic (Black) 94V-0

Impeller : Plastic (Black) 94V-0

Bearing : Ball Bearing

Lead Wire : UL1007, AWG26, +Red, -Black

Specifications

| MODEL | Product No. | Rated Voltage | Operating Voltage | Current | Input Power | Speed | Max. Air Flow | | Max. Static Pressure | | Noise | Mass |
|-----------------|-------------|---------------|-------------------|-------------------|-------------------|------------------------------------|-------------------|-------------------------------------|----------------------|--------------------|--------------------|------|
| | | (V) | (V) | (A) ^{*1} | (W) ^{*1} | (min ⁻¹) ^{*1} | CFM ^{*1} | (m ³ /min) ^{*1} | in H ₂ O | (Pa) ^{*1} | (dB) ^{*1} | (g) |
| 2406KL-04W-B10- | X00 | 12 | 7.0 ~ 13.8 | 0.04 | 0.48 | 1800 | 6.7 | 0.19 | .03 | 8.5 | 19.0 | 45 |
| 2406KL-04W-B20- | X00 | 12 | 6.0 ~ 13.8 | 0.07 | 0.84 | 3100 | 11.6 | 0.33 | .09 | 23.4 | 25.0 | 45 |
| 2406KL-04W-B30- | X00 | 12 | 6.0 ~ 13.8 | 0.09 | 1.08 | 3600 | 14.1 | 0.40 | .13 | 31.3 | 28.0 | 45 |
| 2406KL-04W-B40- | X00 | 12 | 6.0 ~ 13.8 | 0.13 | 1.56 | 4100 | 15.9 | 0.45 | .16 | 39.7 | 31.0 | 45 |
| 2406KL-04W-B50- | X00 | 12 | 6.0 ~ 13.8 | 0.16 | 1.92 | 4600 | 18.3 | 0.52 | .20 | 51.2 | 34.0 | 45 |
| 2406KL-05W-B10- | X00 | 24 | 18.5 ~ 27.6 | 0.04 | 0.96 | 1800 | 6.7 | 0.19 | .03 | 8.5 | 19.0 | 45 |
| 2406KL-05W-B20- | X00 | 24 | 12.0 ~ 27.6 | 0.06 | 1.44 | 3100 | 11.6 | 0.33 | .09 | 23.4 | 25.0 | 45 |
| 2406KL-05W-B30- | X00 | 24 | 12.0 ~ 27.6 | 0.06 | 1.44 | 3600 | 14.1 | 0.40 | .13 | 31.3 | 28.0 | 45 |
| 2406KL-05W-B40- | X00 | 24 | 10.0 ~ 27.6 | 0.07 | 1.68 | 4100 | 15.9 | 0.45 | .16 | 39.7 | 31.0 | 45 |
| 2406KL-05W-B50- | X00 | 24 | 10.0 ~ 27.6 | 0.10 | 2.40 | 4600 | 18.3 | 0.52 | .20 | 51.2 | 34.0 | 45 |

Rotation: Clockwise

Airflow Outlet: Air Out Over Struts

*1: Average Values in Free Air

For information on 2406KL-04W-B80 contact the sales office.

Mouser Electronics

Authorized Distributor

Click to View Pricing, Inventory, Delivery & Lifecycle Information:

[NMB Technologies:](#)

[2406KL-04W-B29-B50](#) [2406KL-04W-B29-B00](#) [2406KL-05W-B49-B50](#) [2406KL-05W-B50-L00](#) [2406KL-04W-B59-L50](#)
[2406KL-04W-B19-L00](#) [2406KL-05W-B39-L00](#) [2406KL-05W-B49-L00](#) [2406KL-04W-B30-L00](#) [2406KL-05W-B29-L50](#)
[2406KL-04W-B50-L00](#) [2406KL-05W-B39-L50](#) [2406KL-04W-B39-L00](#) [2406KL-04W-B59-L00](#) [2406KL-05W-B40-L00](#)
[2406KL-04W-B39-L50](#) [2406KL-04W-B40-L00](#) [2406KL-05W-B30-L00](#) [2406KL-05W-B59-L50](#) [2406KL-05W-B10-L00](#)
[2406KL-05W-B59-L00](#) [2406KL-04W-B49-L00](#) [2406KL-05W-B20-L00](#) [2406KL-04W-B49-L50](#) [2406KL-04W-B20-L00](#)
[2406KL-04W-B10-L00](#)