

## Mounting plate - EM-MPG 45 - 2944177


Please be informed that the data shown in this PDF Document is generated from our Online Catalog. Please find the complete data in the user's documentation. Our General Terms of Use for Downloads are valid (<http://phoenixcontact.com/download>)



Mounting plate, closed version, for screwing on size 0 switchgear



### Key Commercial Data

Packing unit	1 pc
GTIN	 4 017918 081485
Weight per Piece (excluding packing)	69.92 g
Custom tariff number	39269097
Country of origin	Germany

### Technical data

#### General

Housing type	DIN rail adapter
Housing material	Polyamide fiber reinforced
Color	green

#### Ambient conditions

Ambient temperature (operation)	-40 °C ... 105 °C
---------------------------------	-------------------

#### Dimensions

Length	68 mm
Width	45 mm

#### Technical data

Flammability rating according to UL 94	V2
--	----

#### Standards and Regulations

# Mounting plate - EM-MPG 45 - 2944177

## Technical data

### Standards and Regulations

Flammability rating according to UL 94	V2
--	----

## Classifications

### eCl@ss

eCl@ss 4.0	27180401
eCl@ss 4.1	27180401
eCl@ss 5.0	27180506
eCl@ss 5.1	27180506
eCl@ss 6.0	27180802
eCl@ss 7.0	27182702
eCl@ss 8.0	27182702
eCl@ss 9.0	27182702

### ETIM

ETIM 2.0	EC001031
ETIM 3.0	EC001031
ETIM 4.0	EC001031
ETIM 5.0	EC001031

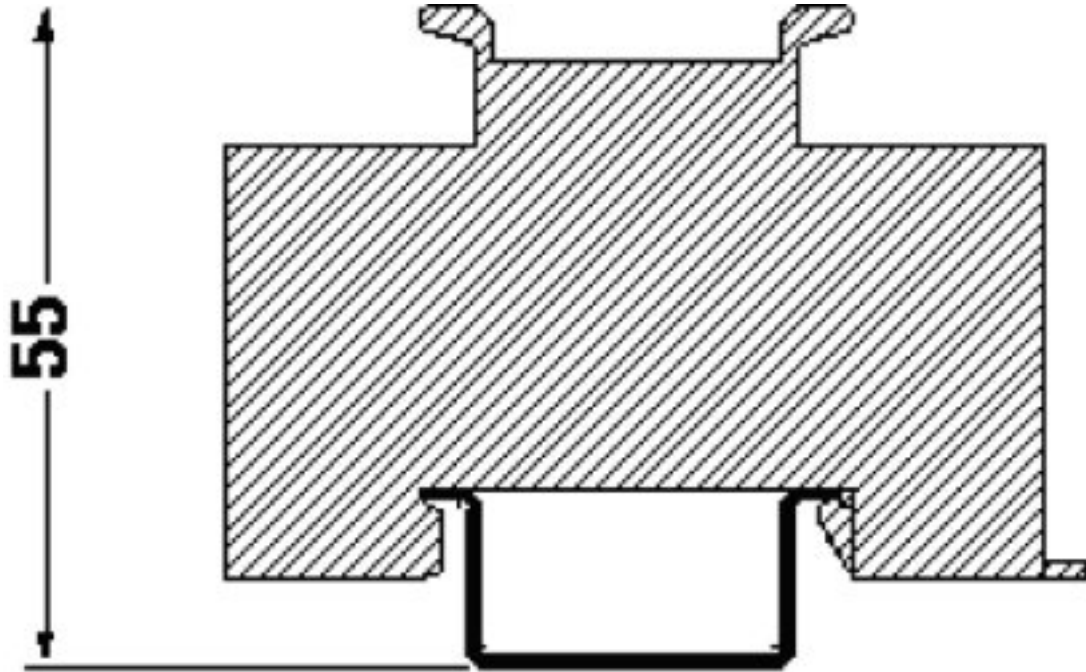
### UNSPSC

UNSPSC 6.01	31261501
UNSPSC 7.0901	31261501
UNSPSC 11	31261501
UNSPSC 12.01	31261501
UNSPSC 13.2	31261501

## Drawings

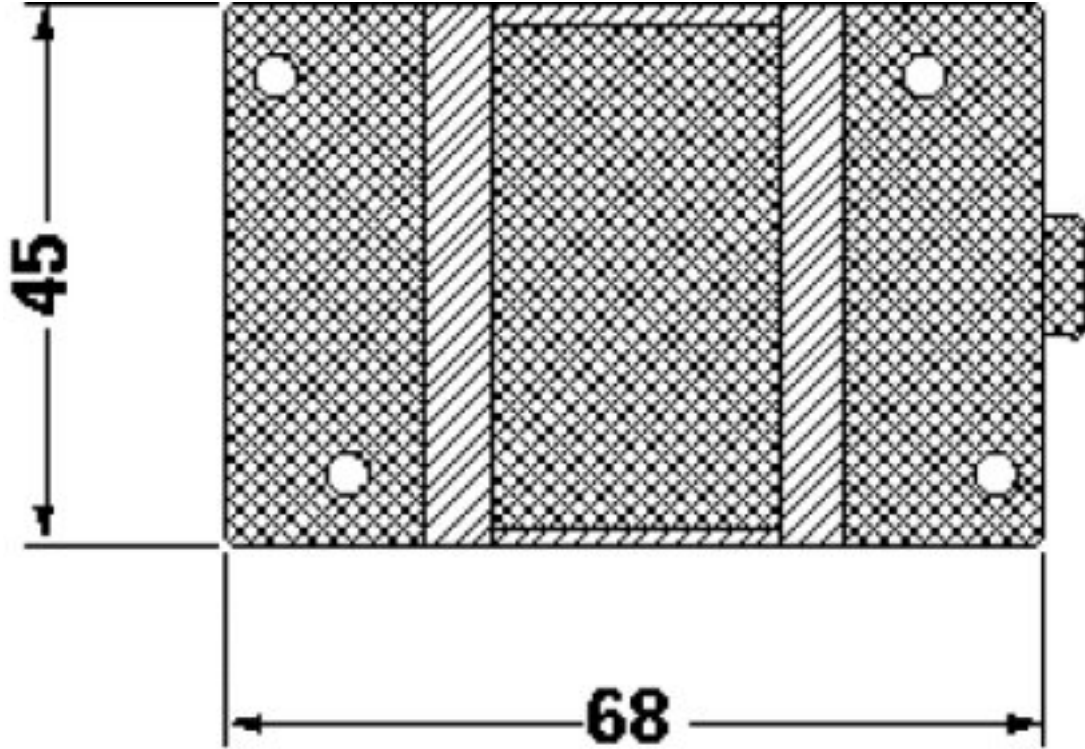
# Mounting plate - EM-MPG 45 - 2944177

Dimensional drawing



# Mounting plate - EM-MPG 45 - 2944177

Dimensional drawing



# Mouser Electronics

Authorized Distributor

Click to View Pricing, Inventory, Delivery & Lifecycle Information:

[Phoenix Contact:](#)

[2944177](#)