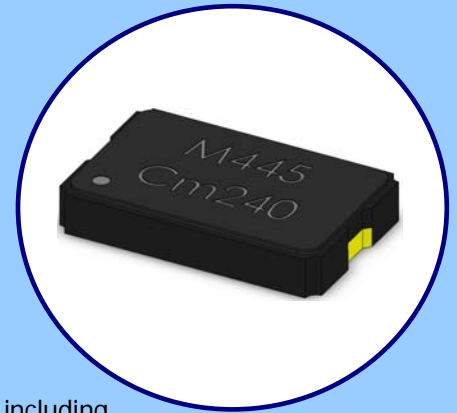


**FEATURES**

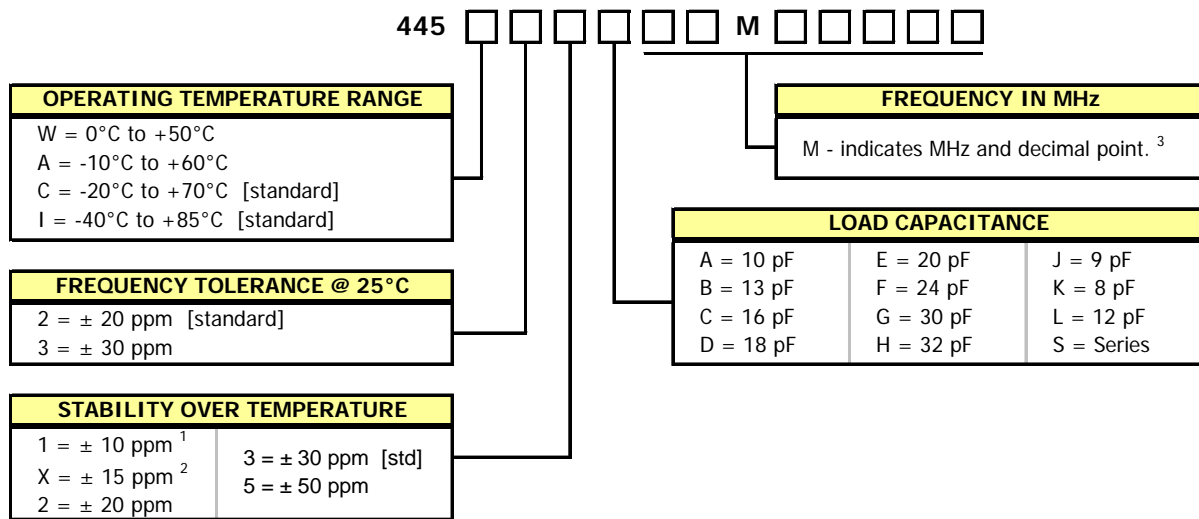
- **Standard 5.0mm x 3.2mm Glass Seal Package**
- **Fundamental Crystal Design**
- Frequency Range 10 – 50 MHz
- Frequency Tolerance,  $\pm 20$  ppm Standard [other tolerances available]
- Frequency Stability,  $\pm 30$  ppm Standard [other stabilities available]
- Operating Temperature to  $-40^{\circ}\text{C}$  to  $+85^{\circ}\text{C}$
- Tape & Reel Packaging Standard, EIA-481
- **RoHS Compliant in Accordance with EU Directive 2011/65/EU**
  - Lead-Free Termination Finish
  - Exemption 7(c)-1, Electrical and electronic components containing lead [Pb] in glass



**APPLICATIONS**

Model 445 is a low cost device used in a wide range of commercial applications including notebooks, computer peripherals, audio visual, Bluetooth and USB interfaces, PDAs, and automotive electronics.

**ORDERING INFORMATION**

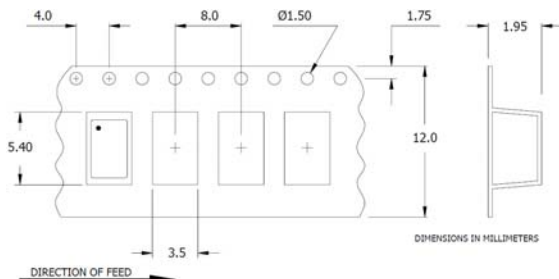


1) Only available with temperature range codes "W" and "A".  
 2) Only available with temperature range codes "W", "A" and "C".  
 3) Frequency is recorded with two leading digits before the 'M' and 5 significant digits after the 'M' (including zeros).

**Not all performance combinations and frequencies may be available.  
 Contact your local CTS Representative or CTS Customer Service for availability.**

**PACKAGING INFORMATION [Reference]**

Factory may package reels in quantities of 1k pcs. or 3k pcs. Reel size is 180mm.

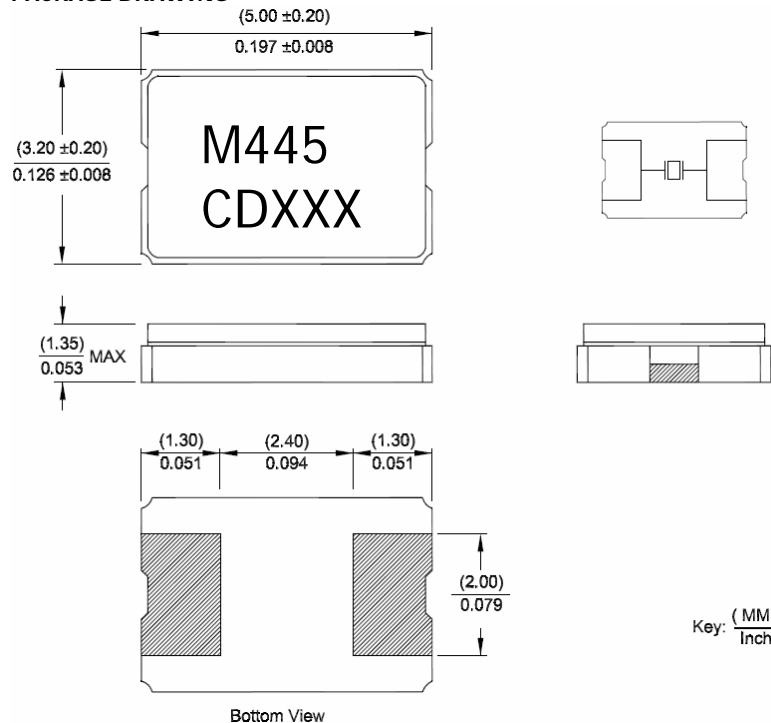


**ELECTRICAL CHARACTERISTICS**

PARAMETER		VALUE		
<b>ELECTRICAL PARAMETERS</b>	Frequency Range	10 MHz to 50 MHz		
	Operating Mode	Fundamental		
	Crystal Cut	AT-Cut		
	Frequency Tolerance @ +25°C	±20 ppm, ±30 ppm		
	Frequency Stability Tolerance (Operating Temperature Range, Referenced to 25°C Reading)	±10 ppm, ±15 ppm, ±20 ppm, ±30 ppm, ±50 ppm		
	Operating Temperature Ranges	0°C to +50°C	-10°C to +60°C	
		-20°C to +70°C	-40°C to +85°C	
	Equivalent Series Resistance [Maximum]	10 MHz - < 12 MHz	100 Ohms	
		12 MHz - < 16 MHz	50 Ohms	
		16 MHz - < 30 MHz	40 Ohms	
		30 MHz - < 50 MHz	30 Ohms	
	Load Capacitance or Resonance Mode	See Ordering Information		
	Shunt Capacitance (C <sub>0</sub> )	5.0 pF Typical, 7.0 pF Maximum		
Drive Level	10 µW Min., 100 µW Typ., 300 µW Max.			
Aging @ +25°C	±3 ppm/yr Typical			
Storage Temperature Range	-40°C to +85°C			

**MECHANICAL SPECIFICATIONS**

**PACKAGE DRAWING**



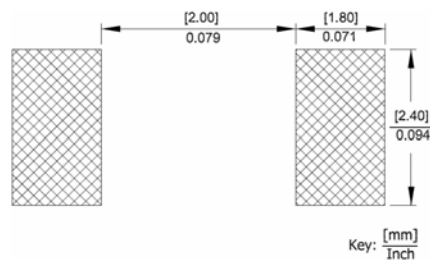
**MARKING INFORMATION**

1. M445 - CTS Model Series.
  2. C - CTS.
  3. D - Date code. See Table I for codes.
  4. XXX - Frequency code.
- Reference CTS document 016-1454-01.

**NOTES**

1. Complete CTS part number, frequency value, date code and manufacturing site code information must appear on reel and carton labels.
2. Termination pads (e4); barrier plating is nickel [Ni] with gold [Au] flash plate.
3. Reflow conditions per JEDEC J-STD-020; 260°C maximum, 10 seconds.
4. MSL - 1.

**SUGGESTED SOLDER PAD GEOMETRY**



**TABLE I - DATE CODE**

YEAR		MONTH				JAN	FEB	MAR	APR	MAY	JUN	JUL	AUG	SEP	OCT	NOV	DEC
		2001	2005	2009	2013												
2001	2005	2009	2013	2017	A	B	C	D	E	F	G	H	J	K	L	M	
2002	2006	2010	2014	2018	N	P	Q	R	S	T	U	V	W	X	Y	Z	
2003	2007	2011	2015	2019	a	b	c	d	e	f	g	h	j	k	l	m	
2004	2008	2012	2016	2020	n	p	q	r	s	t	u	v	w	x	y	z	

# Mouser Electronics

Authorized Distributor

Click to View Pricing, Inventory, Delivery & Lifecycle Information:

## CTS:

<a href="#">445A22A12M00000</a>	<a href="#">445A22A14M31818</a>	<a href="#">445A22A20M00000</a>	<a href="#">445A22A22M00000</a>	<a href="#">445A22A24M00000</a>
<a href="#">445A22A24M57600</a>	<a href="#">445A22A25M00000</a>	<a href="#">445A22A27M00000</a>	<a href="#">445A22A30M00000</a>	<a href="#">445A22C12M00000</a>
<a href="#">445A22C14M31818</a>	<a href="#">445A22C20M00000</a>	<a href="#">445A22C24M00000</a>	<a href="#">445A22C24M57600</a>	<a href="#">445A22C27M00000</a>
<a href="#">445A22C30M00000</a>	<a href="#">445A22D12M00000</a>	<a href="#">445A22D14M31818</a>	<a href="#">445A22D20M00000</a>	<a href="#">445A22D24M00000</a>
<a href="#">445A22D24M57600</a>	<a href="#">445A22D25M00000</a>	<a href="#">445A22D27M00000</a>	<a href="#">445A22D30M00000</a>	<a href="#">445A22E12M00000</a>
<a href="#">445A22E14M31818</a>	<a href="#">445A22E20M00000</a>	<a href="#">445A22E24M00000</a>	<a href="#">445A22E24M57600</a>	<a href="#">445A22E25M00000</a>
<a href="#">445A22E27M00000</a>	<a href="#">445A22E30M00000</a>	<a href="#">445A22K12M00000</a>	<a href="#">445A22K14M31818</a>	<a href="#">445A22K20M00000</a>
<a href="#">445A22K24M00000</a>	<a href="#">445A22K24M57600</a>	<a href="#">445A22K25M00000</a>	<a href="#">445A22K27M00000</a>	<a href="#">445A22K30M00000</a>
<a href="#">445A22L12M00000</a>	<a href="#">445A22L14M31818</a>	<a href="#">445A22L20M00000</a>	<a href="#">445A22L24M00000</a>	<a href="#">445A22L24M57600</a>
<a href="#">445A22L25M00000</a>	<a href="#">445A22L27M00000</a>	<a href="#">445A22L30M00000</a>	<a href="#">445A22S12M00000</a>	<a href="#">445A22S14M31818</a>
<a href="#">445A22S20M00000</a>	<a href="#">445A22S24M00000</a>	<a href="#">445A22S24M57600</a>	<a href="#">445A22S25M00000</a>	<a href="#">445A22S27M00000</a>
<a href="#">445A22S30M00000</a>	<a href="#">445A23A12M00000</a>	<a href="#">445A23A14M31818</a>	<a href="#">445A23A20M00000</a>	<a href="#">445A23A23M00000</a>
<a href="#">445A23A24M00000</a>	<a href="#">445A23A24M57600</a>	<a href="#">445A23A25M00000</a>	<a href="#">445A23A27M00000</a>	<a href="#">445A23A30M00000</a>
<a href="#">445A23C12M00000</a>	<a href="#">445A23C14M31818</a>	<a href="#">445A23C20M00000</a>	<a href="#">445A23C24M00000</a>	<a href="#">445A23C24M57600</a>
<a href="#">445A23C27M00000</a>	<a href="#">445A23C30M00000</a>	<a href="#">445A23D12M00000</a>	<a href="#">445A23D14M31818</a>	<a href="#">445A23D20M00000</a>
<a href="#">445A23D24M00000</a>	<a href="#">445A23D24M57600</a>	<a href="#">445A23D25M00000</a>	<a href="#">445A23D27M00000</a>	<a href="#">445A23D30M00000</a>
<a href="#">445A23E12M00000</a>	<a href="#">445A23E14M31818</a>	<a href="#">445A23E20M00000</a>	<a href="#">445A23E24M00000</a>	<a href="#">445A23E24M57600</a>
<a href="#">445A23E25M00000</a>	<a href="#">445A23E27M00000</a>	<a href="#">445A23E30M00000</a>	<a href="#">445A23K12M00000</a>	<a href="#">445A23K14M31818</a>
<a href="#">445A23K20M00000</a>	<a href="#">445A23K24M00000</a>	<a href="#">445A23K24M57600</a>	<a href="#">445A23K25M00000</a>	<a href="#">445A23K27M00000</a>
<a href="#">445A23K30M00000</a>	<a href="#">445A23L12M00000</a>	<a href="#">445A23L14M31818</a>	<a href="#">445A23L20M00000</a>	<a href="#">445A23L24M00000</a>