

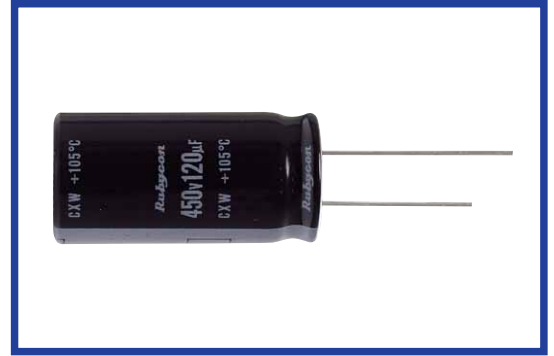
CXW SERIES

UPGRADE

105°C 5000 hours, Ultra Miniaturized

◆FEATURES

- Load Life : 105°C 5000 hours. (Temperature Range:-40°C~+105°C)
- Body diameter of φ8mm to φ18mm with high ripple current capability.
- This series is smaller and longer life than KXW series.
- RoHS compliance.



◆SPECIFICATIONS

| Items | Characteristics | | | | | | | | |
|--|---|---------|-------------------|--------------------|-----------------------------------|--------------------|--|-----------------|------------------------------------|
| Category Temperature Range | -40~+105°C | | | | | | | | |
| Rated Voltage Range | 400~500Vdc | | | | | | | | |
| Capacitance Tolerance | ±20% (20°C, 120Hz) | | | | | | | | |
| Leakage Current(MAX) | $I=3\sqrt{CV}$ (After 5 minutes application of rated voltage) I =Leakage Current(μA) C =Capacitance(μF) V =Rated Voltage(Vdc) | | | | | | | | |
| Dissipation Factor(MAX) (tanδ) | Rated Voltage (Vdc) | 400~450 | 500 (20°C, 120Hz) | | | | | | |
| | tanδ | 0.20 | 0.25 | | | | | | |
| Endurance | After applying rated voltage with rated ripple current for 5000 hours at 105°C, the capacitors shall meet the following requirements. <table border="1" style="width:100%; border-collapse: collapse;"> <tr> <td>Capacitance Change</td> <td>Within ±20% of the initial value.</td> </tr> <tr> <td>Dissipation Factor</td> <td>Not more than 200% of the specified value.</td> </tr> <tr> <td>Leakage Current</td> <td>Not more than the specified value.</td> </tr> </table> | | | Capacitance Change | Within ±20% of the initial value. | Dissipation Factor | Not more than 200% of the specified value. | Leakage Current | Not more than the specified value. |
| Capacitance Change | Within ±20% of the initial value. | | | | | | | | |
| Dissipation Factor | Not more than 200% of the specified value. | | | | | | | | |
| Leakage Current | Not more than the specified value. | | | | | | | | |
| Low Temperature Stability Impedance Ratio(MAX) | Rated Voltage (Vdc) | 400 | 420~500 (120Hz) | | | | | | |
| | Z(-25°C)/Z(20°C) | 5 | 6 | | | | | | |

◆MULTIPLIER FOR RIPPLE CURRENT

| | | | | | |
|----------------|--------|------|------|------|------|
| Frequency (Hz) | 60(50) | 120 | 500 | 1k | 10k≤ |
| Coefficient | 0.80 | 1.00 | 1.25 | 1.40 | 1.50 |

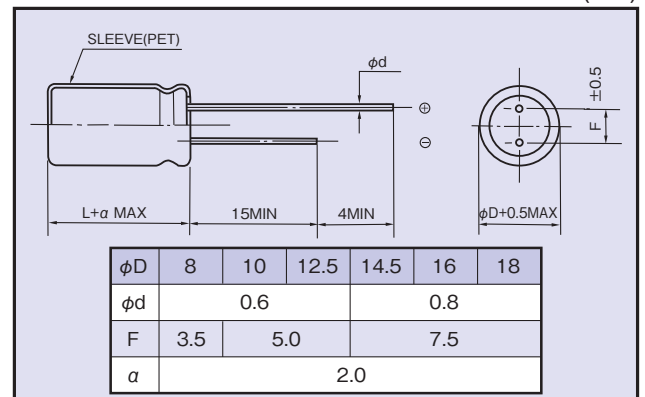
◆OPTION

| | |
|-------------------------|-------|
| | Code |
| PET Sleeve (-40~+105°C) | EFR ※ |

※PET Sleeve -25~+105°C(EFC) is also available, please consult our sales offices.

◆DIMENSIONS

(mm)



◆PART NUMBER

□□□ CXW
 □□□
 M
 □□□
 □□
 D×L
 Rated Voltage Series Capacitance Capacitance Tolerance Option Lead Forming Case Size

◆STANDARD SIZE

| Rated Voltage (Vdc) | Capacitance (μF) | Size φD×L (mm) | Rated Ripple Current (A r.m.s./105°C,120Hz) |
|---------------------|------------------|----------------|---|
| 400 | 15 | 8×25 | 0.16 |
| | 18 | 8×30 | 0.19 |
| | 22 | 8×35 | 0.22 |
| | 27 | 8×40 | 0.25 |
| | 33 | 8×45 | 0.29 |
| | 39 | 10×40 | 0.37 |
| | 47 | 10×45 | 0.42 |
| | 56 | 10×50 | 0.47 |
| | 68 | 12.5×40 | 0.54 |
| | 82 | 12.5×45 | 0.61 |
| | 82 | 14.5×31.5 | 0.57 |
| | 100 | 12.5×50 | 0.68 |
| | 100 | 14.5×40 | 0.69 |
| | 100 | 16×31.5 | 0.71 |
| | 120 | 14.5×45 | 0.79 |
| | 120 | 16×35 | 0.80 |
| | 150 | 16×40 | 0.92 |
| | 150 | 18×31.5 | 0.89 |
| | 150 | 18×40 | 1.05 |
| | 180 | 16×50 | 1.08 |
| 180 | 18×40 | 1.06 | |
| 220 | 18×45 | 1.20 | |
| 420 | 12 | 8×25 | 0.10 |
| | 15 | 8×30 | 0.12 |
| | 18 | 8×35 | 0.16 |
| | 22 | 8×40 | 0.19 |
| | 39 | 10×40 | 0.36 |
| | 47 | 10×50 | 0.43 |
| | 56 | 12.5×40 | 0.48 |
| | 68 | 12.5×40 | 0.52 |
| | 68 | 14.5×31.5 | 0.52 |
| | 82 | 12.5×45 | 0.59 |
| | 82 | 14.5×35 | 0.59 |
| | 100 | 14.5×40 | 0.67 |
| | 100 | 16×31.5 | 0.69 |
| | 120 | 14.5×45 | 0.75 |
| | 120 | 16×35 | 0.78 |
| | 120 | 18×31.5 | 0.80 |
| | 150 | 16×45 | 0.94 |
| | 150 | 18×35 | 0.92 |
| | 180 | 16×50 | 1.05 |
| | 180 | 18×40 | 1.04 |
| 220 | 18×50 | 1.22 | |

| Rated Voltage (Vdc) | Capacitance (μF) | Size φD×L (mm) | Rated Ripple Current (A r.m.s./105°C,120Hz) |
|---------------------|------------------|----------------|---|
| 450 | 10 | 8×25 | 0.12 |
| | 12 | 8×30 | 0.14 |
| | 15 | 8×35 | 0.16 |
| | 18 | 8×40 | 0.18 |
| | 22 | 8×50 | 0.22 |
| | 33 | 10×40 | 0.34 |
| | 39 | 10×45 | 0.38 |
| | 47 | 12.5×40 | 0.44 |
| | 56 | 12.5×40 | 0.49 |
| | 68 | 12.5×45 | 0.55 |
| | 68 | 14.5×31.5 | 0.52 |
| | 82 | 12.5×50 | 0.62 |
| | 82 | 14.5×40 | 0.63 |
| | 82 | 16×31.5 | 0.64 |
| | 82 | 16×35 | 0.60 |
| | 100 | 14.5×45 | 0.71 |
| | 100 | 16×35 | 0.73 |
| | 120 | 14.5×50 | 0.79 |
| | 120 | 16×40 | 0.82 |
| | 120 | 18×31.5 | 0.80 |
| 120 | 18×40 | 0.85 | |
| 150 | 16×50 | 0.98 | |
| 150 | 18×40 | 0.97 | |
| 180 | 18×45 | 1.09 | |
| 220 | 18×50 | 1.22 | |
| 500 | 82 | 16×45 | 0.61 |

| | | |
|---|----------------|------|
| ※ | Frequency (Hz) | 50k≤ |
| | Coefficient | 2.00 |