

MXK SERIES

UPGRADE

105°C Ultra Miniaturized, Snap-in Terminal Type

◆FEATURES

- Load Life : 105°C 3000 hours.
- Smaller size than MXH series.
- RoHS compliance.



◆SPECIFICATIONS

Items	Characteristics						
Category Temperature Range	-25~+105°C						
Rated Voltage Range	400~450Vdc						
Capacitance Tolerance	±20% (20°C, 120Hz)						
Leakage Current(MAX)	$I=3\sqrt{CV}$ or 5mA whichever is smaller (After 5 minutes application of rated voltage) I =Leakage Current(μ A) C =Capacitance(μ F) V =Rated Voltage(Vdc)						
(tan δ) Dissipation Factor(MAX)	0.2 (20°C, 120Hz)						
Endurance	After applying rated voltage with rated ripple current for 3000 hours at 105°C, the capacitors shall meet the following requirements. <table border="1" style="margin-left: 20px;"> <tr> <td>Capacitance Change</td> <td>Within ±20% of the initial value.</td> </tr> <tr> <td>Dissipation Factor</td> <td>Not more than 200% of the specified value.</td> </tr> <tr> <td>Leakage Current</td> <td>Not more than the specified value.</td> </tr> </table>	Capacitance Change	Within ±20% of the initial value.	Dissipation Factor	Not more than 200% of the specified value.	Leakage Current	Not more than the specified value.
Capacitance Change	Within ±20% of the initial value.						
Dissipation Factor	Not more than 200% of the specified value.						
Leakage Current	Not more than the specified value.						
Low Temperature Stability Impedance Ratio(MAX)	<table border="1" style="margin-left: 20px;"> <tr> <td>Rated Voltage (Vdc)</td> <td>400~450</td> <td>(120Hz)</td> </tr> <tr> <td>Z(-25°C)/Z(20°C)</td> <td>8</td> <td></td> </tr> </table>	Rated Voltage (Vdc)	400~450	(120Hz)	Z(-25°C)/Z(20°C)	8	
Rated Voltage (Vdc)	400~450	(120Hz)					
Z(-25°C)/Z(20°C)	8						

◆MULTIPLIER FOR RIPPLE CURRENT

Frequency (Hz)	60(50)	120(100)	300	500	1k	10k \leq
Coefficient	0.80	1.00	1.15	1.20	1.25	1.40

◆PART NUMBER

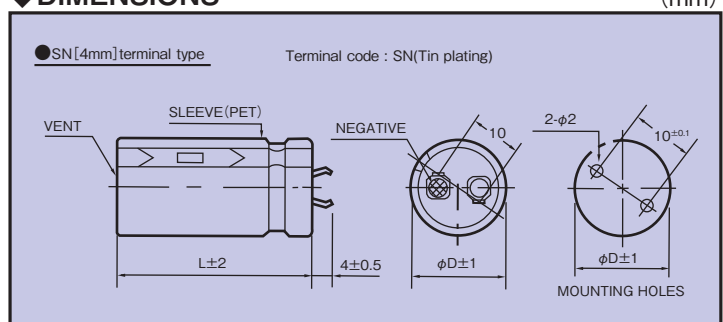
□□□ **MXK** □□□□□ **M** □□□ **SN** **DXL**
 Rated Voltage Series Capacitance Capacitance Tolerance Option Terminal Code Case Size

◆OPTION

	Code
PET Sleeve without plate	EFC

◆DIMENSIONS

(mm)



◆ STANDARD SIZE

Cap (μ F)	Vdc		400							
	ϕ D		ϕ 22		ϕ 25		ϕ 30		ϕ 35	
150			22x25	1.03						
180			22x30	1.19	25x25	1.15				
220			22x35	1.37	25x30	1.32				
270			22x40	1.56	25x30	1.43	30x25	1.37		
330			22x45	1.77	25x35	1.65	30x30	1.56		
390			22x50	1.97	25x40	1.85	30x30	1.65	35x25	1.48
470			22x60	2.20	25x45	2.07	30x35	1.89	35x30	1.69
560					25x55	2.32	30x40	2.12	35x30	1.75
680							30x45	2.35	35x35	2.00
820							30x55	2.66	35x45	2.48
1000									35x50	2.70
1200									35x60	2.99

Cap (μ F)	Vdc		420							
	ϕ D		ϕ 22		ϕ 25		ϕ 30		ϕ 35	
120			22x25	0.95						
150			22x30	1.10						
180			22x30	1.20	25x25	1.16				
220			22x35	1.38	25x30	1.35				
270			22x40	1.57	25x35	1.55	30x25	1.36		
330			22x50	1.85	25x40	1.76	30x30	1.59	35x25	1.45
390			22x55	2.00	25x45	1.96	30x35	1.82	35x30	1.66
470					25x50	2.18	30x40	2.04	35x30	1.72
560					25x60	2.43	30x45	2.27	35x35	1.97
680							30x50	2.50	35x40	2.22
820							30x60	2.79	35x45	2.45
1000									35x55	2.76

Cap (μ F)	Vdc		450							
	ϕ D		ϕ 22		ϕ 25		ϕ 30		ϕ 35	
120			22x25	0.95						
150			22x30	1.12	25x25	1.08				
180			22x35	1.27	25x30	1.24				
220			22x40	1.45	25x30	1.34	30x25	1.29		
270			22x45	1.65	25x35	1.54	30x30	1.49		
330			22x55	1.88	25x45	1.85	30x30	1.58	35x25	1.42
390			22x60	2.07	25x50	2.04	30x35	1.80	35x30	1.68
470					25x55	2.21	30x40	2.02	35x35	1.92
560							30x45	2.24	35x40	2.15
680							30x55	2.54	35x45	2.38
820									35x50	2.59
1000									35x60	2.90

Ripple Current (A r.m.s./120Hz, 105°C)
 Case Size ϕ DxL(mm)