

General Specifications

Motor Protection:

Auto Restart/Polarity Protection

Insulation Resistance:

10M Ω or over with a DC500V Megger

Dielectric Withstand Voltage: AC 700V 1s

Allowable Ambient Temperature Range:

B50 Class: -10°C ~ +40°C (Operating)

B10 ~ B40 Class: -10°C ~ +70°C (Operating)

B10 ~ B40 Class: -40°C ~ +70°C (Storage)

B50 Class: -40°C ~ +60°C (Storage)

(non-condensing environment)

Expected Life

Failure Rate: 10%

25°C 50,000 Hours (P00)

Material

Casing : Plastic (Black) 94V-0

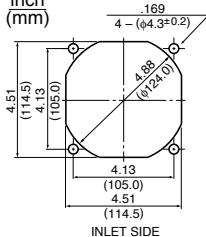
Impeller : Plastic (Black) 94V-0

Bearing : Ball Bearing

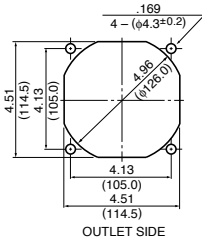
Lead Wire : UL1007, AWG24, +Red, -Black

Panel Cut-Outs

Units:
inch
(mm)

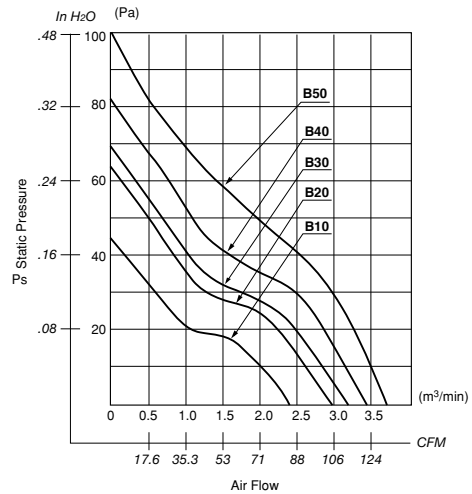


INLET SIDE

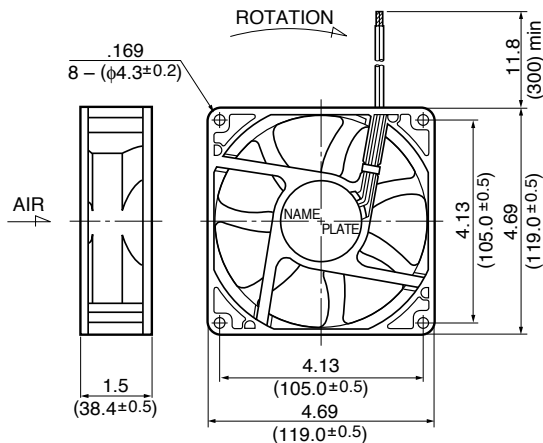


OUTLET SIDE

Characteristic Curves



Outline



Specifications

MODEL	Product No.	Rated Voltage	Operating Voltage	Current	Input Power	Speed	Max. Air Flow		Max. Static Pressure		Noise	Mass
		(V)	(V)	(A) ^{*1}	(W) ^{*1}	(min ⁻¹) ^{*1}	CFM ^{*1}	(m ³ /min) ^{*1}	in H ₂ O	(Pa) ^{*1}	(dB) ^{*1}	(g)
4715KL-04W-B10-	X00	12	6.0 ~ 13.8	0.27	3.24	2300	83.6	2.37	.17	44.1	37.0	260
4715KL-04W-B20-	X00	12	6.0 ~ 13.8	0.40	4.80	2650	97.0	2.75	.22	55.9	41.0	260
4715KL-04W-B30-	X00	12	6.0 ~ 13.8	0.55	6.60	2950	108.0	3.07	.27	68.2	42.5	260
4715KL-04W-B40-	X00	12	6.0 ~ 13.8	0.70	8.40	3200	118.0	3.34	.33	81.4	46.5	260
4715KL-04W-B50-	X00	12	9.5 ~ 12.6	1.00	12.00	3600	129.9	3.68	.44	110.0	50.0	260
4715KL-05W-B10-	X00	24	10.0 ~ 27.6	0.15	3.60	2300	83.6	2.37	.17	44.1	37.0	260
4715KL-05W-B20-	X00	24	10.0 ~ 27.6	0.21	5.04	2650	97.0	2.75	.22	55.9	41.0	260
4715KL-05W-B30-	X00	24	10.0 ~ 27.6	0.31	7.44	2950	108.0	3.07	.27	68.2	42.5	260
4715KL-05W-B40-	X00	24	10.0 ~ 27.6	0.35	8.40	3200	118.0	3.34	.33	81.4	46.5	260
4715KL-05W-B50-	X00	24	18.0 ~ 25.0	0.50	12.00	3600	130.0	3.68	.44	110.0	50.0	260
4715KL-07W-B10-	X00	48	25.0 ~ 55.2	0.08	3.84	2300	83.6	2.37	.17	44.1	37.0	260
4715KL-07W-B20-	X00	48	25.0 ~ 55.2	0.11	5.28	2650	97.0	2.75	.22	55.9	41.0	260
4715KL-07W-B30-	X00	48	25.0 ~ 55.2	0.16	7.68	2950	108.0	3.07	.27	68.2	42.5	260
** 4715KL-07W-B40-	X00	48	25.0 ~ 55.2	0.20	9.60	3200	118.0	3.34	.33	81.4	46.5	260
4715KL-07W-B50-	X00	48	30.0 ~ 60.0	0.16	7.68	3600	130.0	3.68	.44	110.0	50.0	260

Rotation: Clockwise

Airflow Outlet: Air Out Over Struts

*1: Average Values in Free Air

** Contact NMB for availability

Mouser Electronics

Authorized Distributor

Click to View Pricing, Inventory, Delivery & Lifecycle Information:

NMB Technologies:

<u>4715KL-05W-B59-E00</u>	<u>4715KL-04W-B29-E00</u>	<u>4715KL-04W-B49-E00</u>	<u>4715KL-07W-B29-E00</u>	<u>4715KL-04W-B50-E00</u>
<u>4715KL-05W-B40-E00</u>	<u>4715KL-05W-B19-E00</u>	<u>4715KL-05W-B29-E00</u>	<u>4715KL-05W-B50-E00</u>	<u>4715KL-07W-B49-E00</u>
<u>4715KL-07W-B50-E00</u>	<u>4715KL-05W-B49-E50</u>	<u>4715KL-07W-B49-E50</u>	<u>4715KL-07W-B40-E00</u>	<u>4715KL-04W-B19-E50</u>
<u>4715KL-04W-B40-E00</u>	<u>4715KL-04W-B59-E00</u>	<u>4715KL-05W-B30-E00</u>	<u>4715KL-07W-B10-E00</u>	<u>4715KL-07W-B19-E00</u>
<u>4715KL-07W-B39-E50</u>	<u>4715KL-04W-B59-E50</u>	<u>4715KL-05W-B39-E00</u>	<u>4715KL-07W-B19-E50</u>	<u>4715KL-04W-B20-E00</u>
<u>4715KL-07W-B29-E50</u>	<u>4715KL-04W-B39-E00</u>	<u>4715KL-07W-B39-E00</u>	<u>4715KL-04W-B49-E50</u>	<u>4715KL-05W-B39-E50</u>
<u>4715KL-07W-B59-E00</u>	<u>4715KL-07W-B59-E50</u>	<u>4715KL-04W-B10-E00</u>	<u>4715KL-04W-B30-E00</u>	<u>4715KL-05W-B59-E50</u>
<u>4715KL-05W-B29-E50</u>	<u>4715KL-05W-B49-E00</u>	<u>4715KL-07W-B20-E00</u>	<u>4715KL-07W-B30-E00</u>	<u>4715KL-04W-B39-E50</u>
<u>4715KL-05W-B19-E50</u>	<u>4715KL-04W-B29-E50</u>	<u>4715KL-05W-B10-E00</u>	<u>4715KL-05W-B20-E00</u>	<u>4715KL-04W-B19-E00</u>