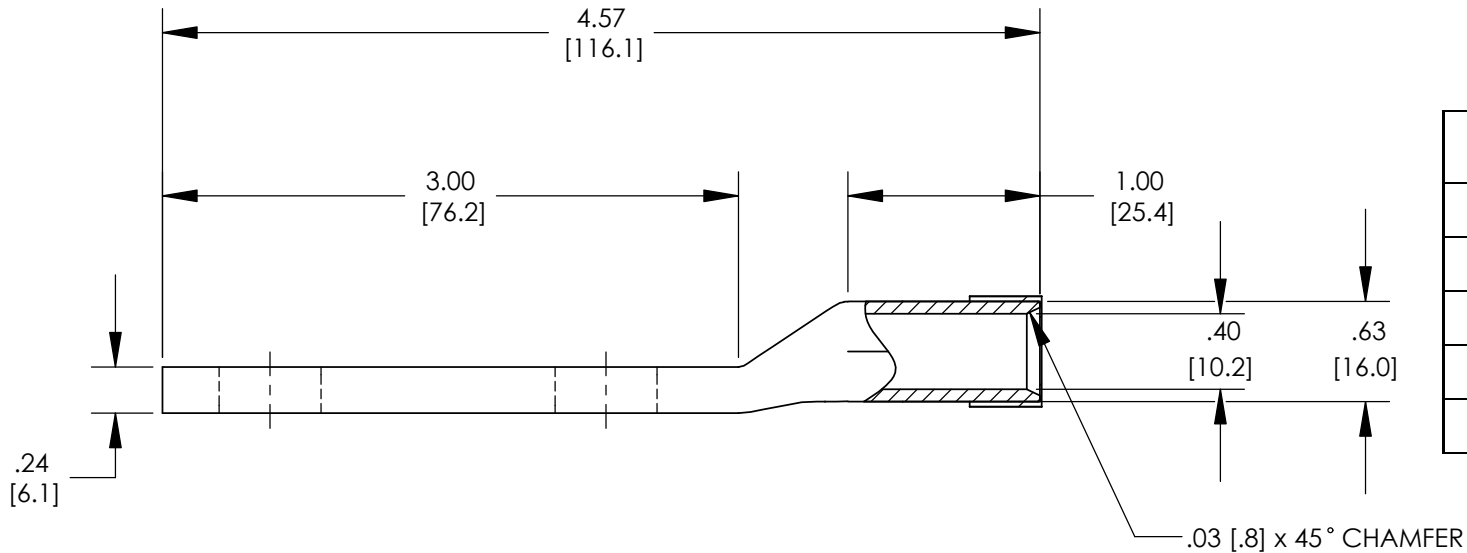
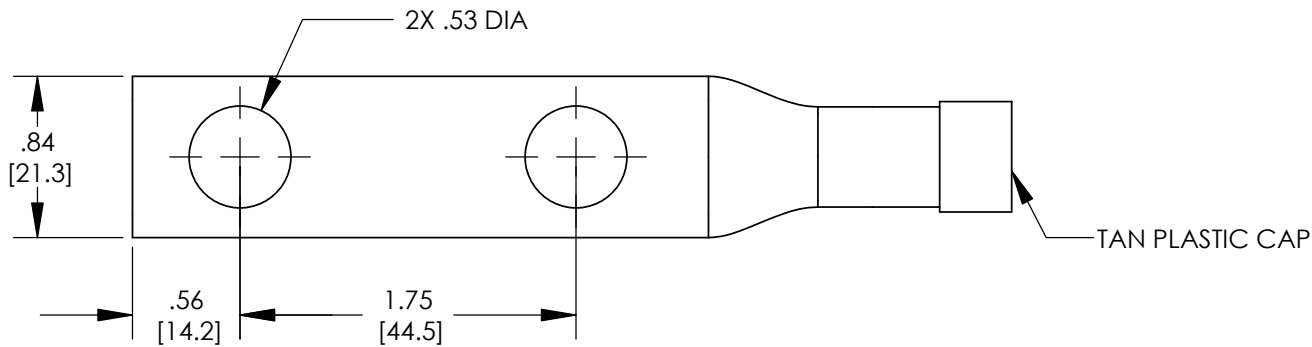


THIS COPY IS PROVIDED ON A RESTRICTED BASIS AND IS NOT TO BE USED IN ANY WAY DETRIMENTAL TO THE INTERESTS OF PANDUIT CORP.

NOTES:

1. DIMENSIONS IN PARENTHESIS ARE MILLIMETERS.
2. UL LISTED. CSA CERTIFIED
DUAL RATED CU9AL FOR ALUMINUM OR COPPER
CONDUCTORS
3. MATERIAL: ALUMINUM, TIN PLATED
4. STUD SIZE: 1/2"
5. FOR USE WITH STRANDED ALUMINUM/COPPER
WIRE ONLY.
WIRE SIZE: 1/0
6. PREFILLED WITH ANTI-OXIDANT PASTE.
7. ALL DIMENSIONS SHOWN ARE NOMINAL.
8. PACKAGE QUANTITY: -X = 10



DIE COLOR CODE	TAN
TDY-1 PRESSURE SETTING	2
BURNDY DIE INDEX OR "U" DIE	B-296
HUSKIE/PUC DIE SET	HT41EX
T&B DIE INDEX	50
PUC MECHANICAL TOOLS	TDM-250 TDM-500

C41718_01

							PANDUIT CORP. TINLEY PARK, ILLINOIS				
01	8/07	JHNU	LEM	ADDED CRIMPING INFORMATION TABLE						ALUMINUM LUG (BLUA1/OD3-X) CUSTOMER DRAWING	
00	8/07	JHNU	LEM	DRAWING RELEASED							
REV	DATE	BY	CHK	DESCRIPTION	ECN	PM	APP	DRAWN BY JHNU	CHK'D	SCALE NONE	DRAWING NO / CAD FILE C41718