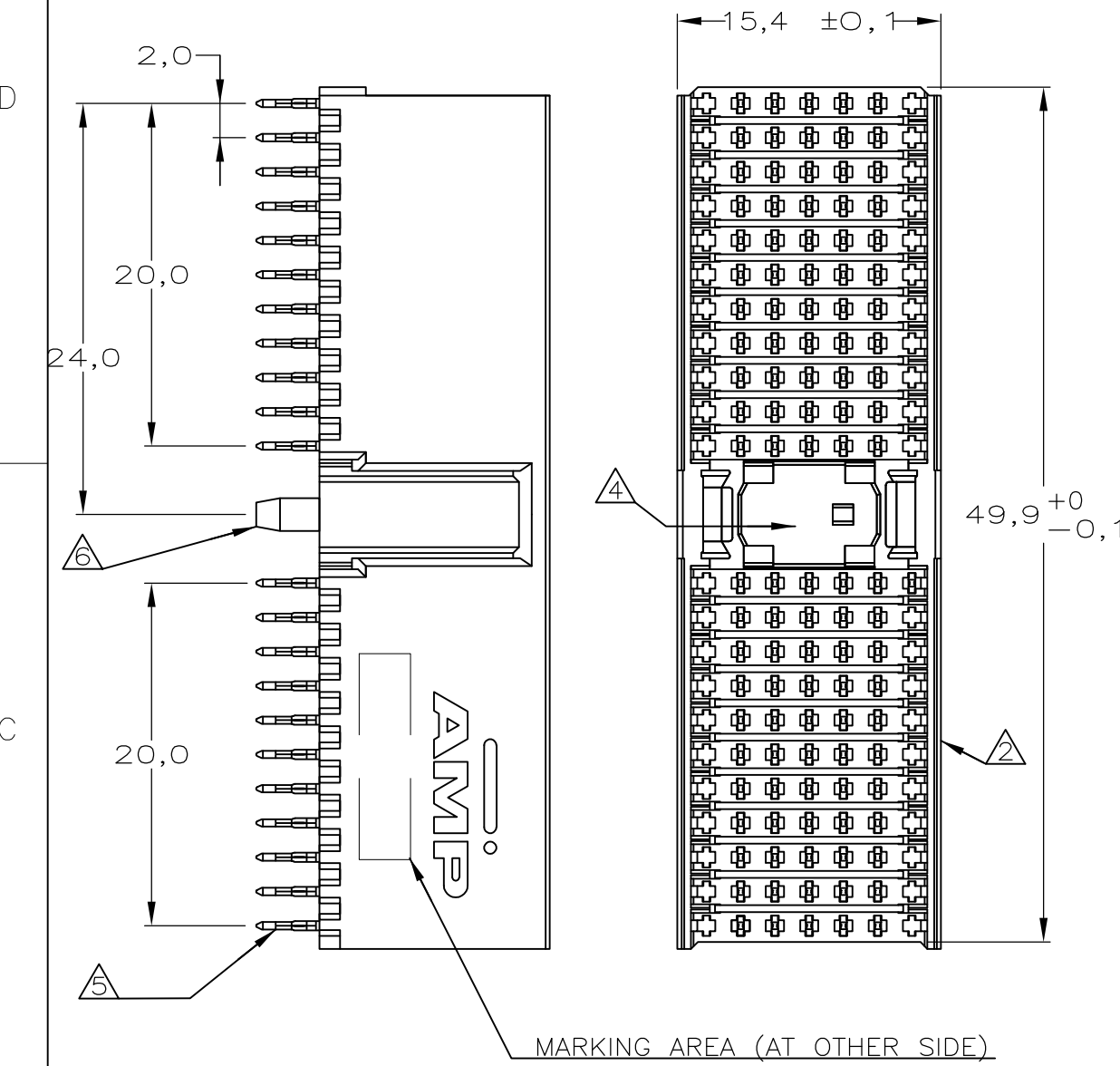


THIS DRAWING IS UNPUBLISHED. RELEASED FOR PUBLICATION
 © COPYRIGHT BY TYCO ELECTRONICS CORPORATION. ALL RIGHTS RESERVED.

LOC		DIST		REVISIONS			
P	LTR	DESCRIPTION	DATE	DWN	APVD		
	D	REVISED PER ECO-07009721	25APR07	DH	JE		
	E	ECR-10-018652	10SEP10	SW	MQW		

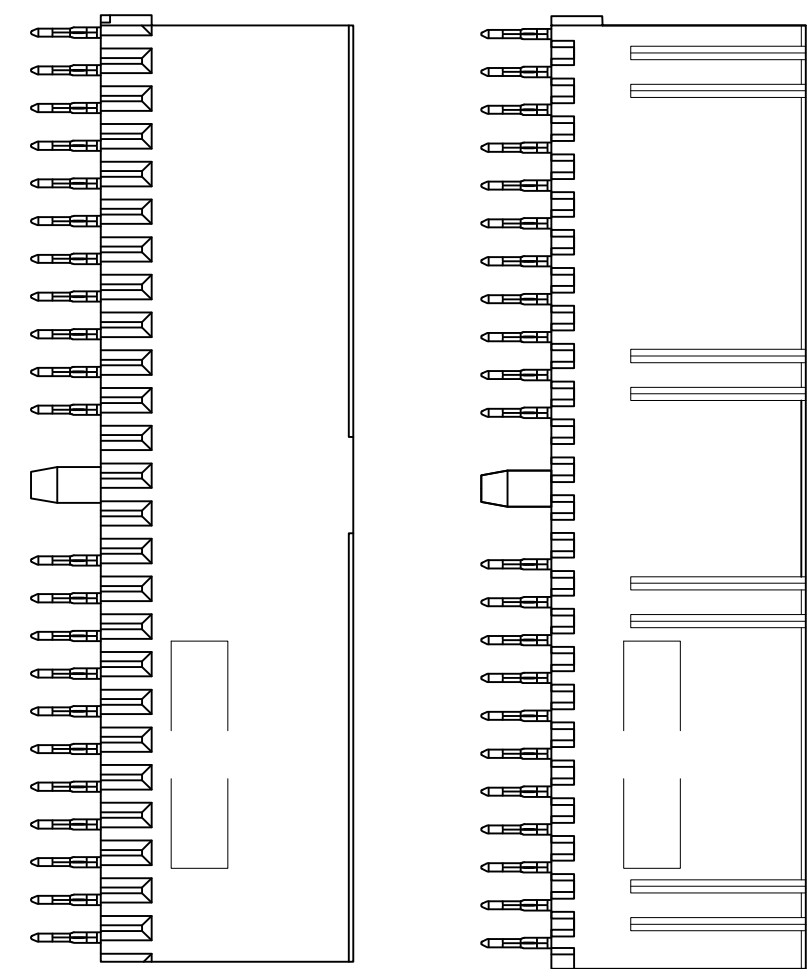
CONNECTOR ASSEMBLY

EXEMPLARY LOADED



CONNECTOR APPEARANCES

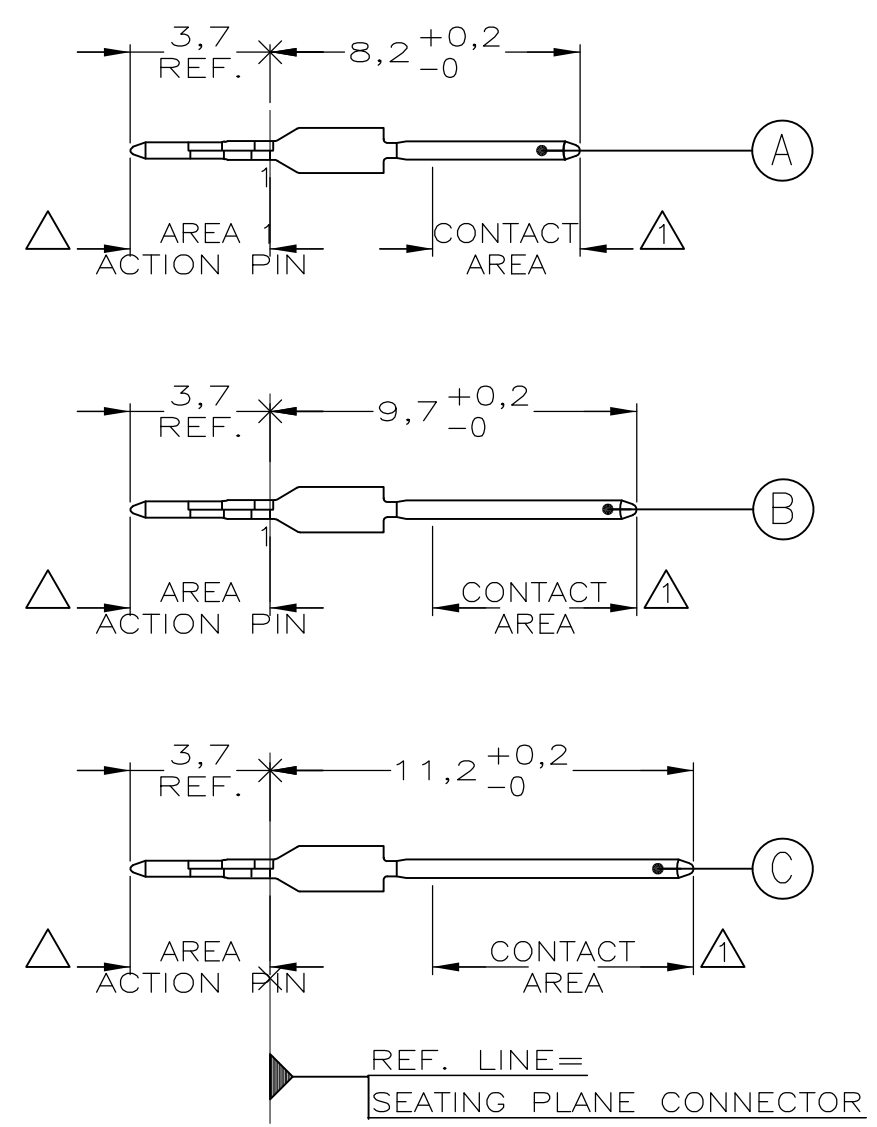
POSSIBLE VERSIONS



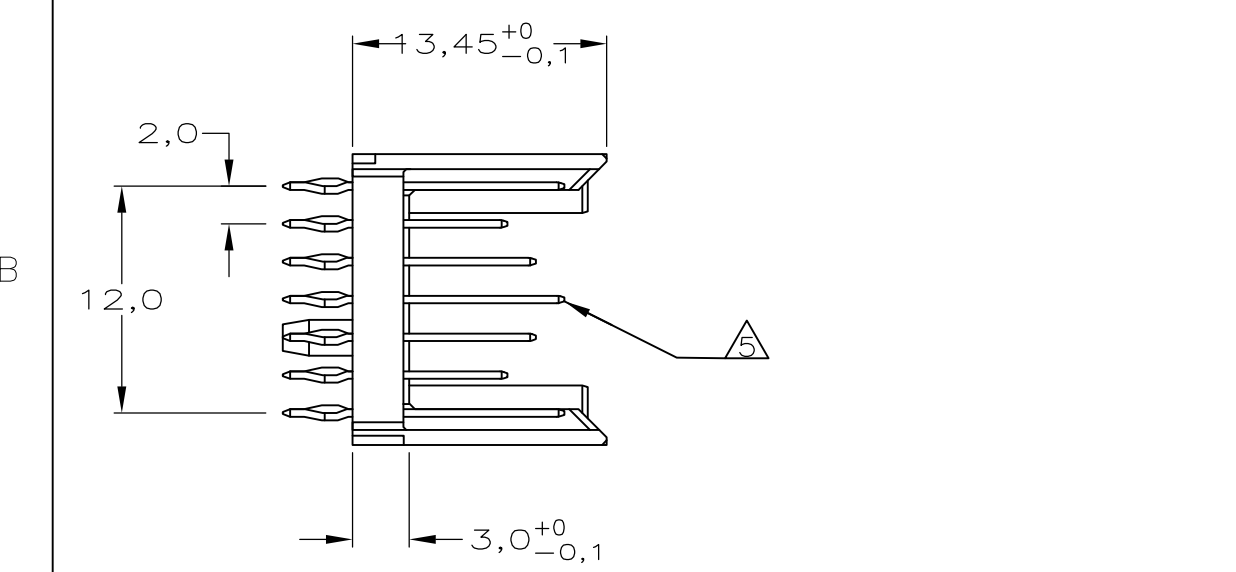
CONTACT LAYOUT

	z	a	b	c	d	e	f
1	C	A	A	B	A	A	C
2	C	A	A	B	A	A	C
3	C	A	A	B	A	A	C
4	C	A	A	B	A	A	C
5	C	A	A	B	A	A	C
6	C	A	A	B	A	A	C
7	C	A	A	B	A	A	C
8	C	A	A	B	A	A	C
9	C	A	A	B	A	A	C
10	C	A	A	B	A	A	C
11	C	A	A	B	A	A	C
MULTI PURPOSE CENTRE							
15	C	A	A	B	A	A	C
16	C	A	A	B	A	A	C
17	C	A	A	B	A	A	C
18	C	A	A	B	A	A	C
19	C	A	A	B	A	A	C
20	C	A	A	B	A	A	C
21	C	A	A	B	A	A	C
22	C	A	A	B	A	A	C
23	C	A	A	B	A	A	C
24	C	A	A	B	A	A	C
25	C	A	A	B	A	A	C

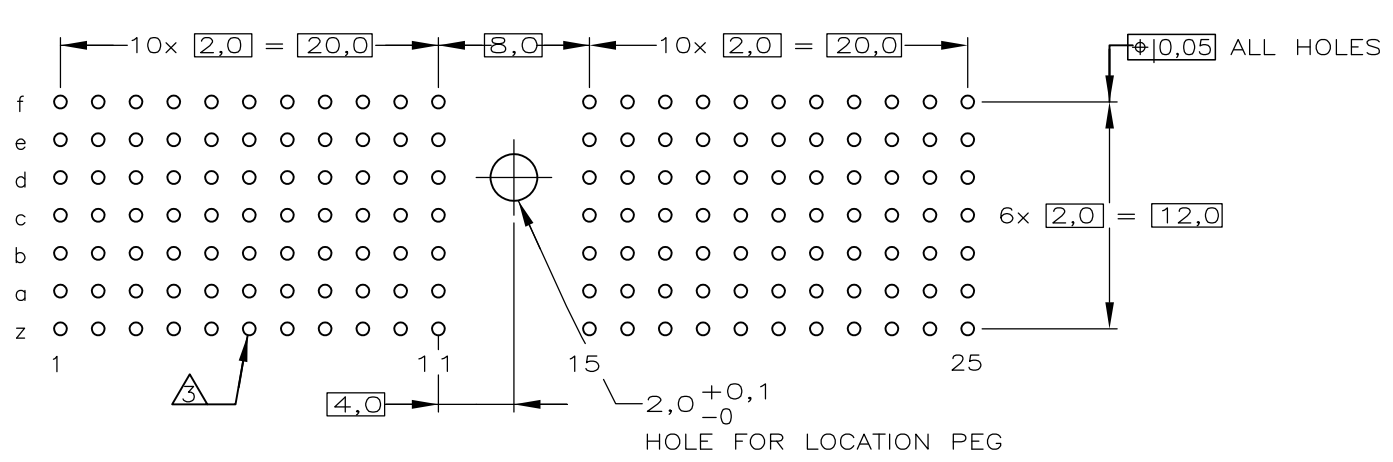
CONTACT DIMENSIONS



RECOMMENDED PCB-HOLE LAY-OUT
COMPONENT SIDE SHOWN



PLATED THRU HOLES PARAMETERS
REFERENCE APPLICATION SPECIFICATION



	8	12	13	1-106717-9
	8	11	13	106717-9
	8	10		106717-4
	8	9		106717-1
FINISH				PART NUMBER

THIS DRAWING IS A CONTROLLED DOCUMENT.		DWN J. V. DREUMEL 10-NOV-93	Tyco Electronics Corporation Harrisburg, PA 17105-3608	
DIMENSIONS: mm		CHK B. MOOIJ 10-NOV-93	NAME	
TOLERANCES UNLESS OTHERWISE SPECIFIED: ±0.2		APVD -	PRODUCT SPEC 108-19082	
6-PLC ± 1-PLC ± 2-PLC ± 3-PLC ± 4-PLC ± ANGLES ±		APPLICATION SPEC 114-19029	SIZE A2	CAGE CODE 00779
MATERIAL	FINISH	WEIGHT -	DRAWING NO C=106717	RESTRICTED TO -
CUSTOMER DRAWING			SCALE -	SHEET 1 of 2
			REV E	

THIS DRAWING IS UNPUBLISHED. RELEASED FOR PUBLICATION
 © COPYRIGHT BY TYCO ELECTRONICS CORPORATION. ALL RIGHTS RESERVED.

LOC	DIST	REVISIONS					
		P	LTR	DESCRIPTION	DATE	DWN	APVD
AD	00	-	-	SEE SHEET 1	-	-	-

- 1 MATERIAL CONTACT: PHOSPHORBRONZE.
MATERIAL HOUSING: GREY GLASSFILLED POLYESTER
UL-RATING 94V0.
- 2 CONNECTOR MARKED WITH PART NUMBER AND DATE CODE.
- 3 PLATED-THROUGH HOLES AT 2x2mm SQUARE GRID,
TOTAL 154 HOLES.
- 4 AREA FOR KEYING PART (BASIC PART NUMBER 100525).
- 5 FOR ACTUAL PIN LOADING SEE "CONTACT LAYOUT".
- 6 LOCATION PEG.
- 7 THE APPEARANCE OF THE CONNECTOR CAN BE DIFFERENT
SEE "CONNECTOR APPEARANCES; POSSIBLE VARIANTS".
- 8 GENERAL PLATING SPECIFICATION: UNDERPLATING (ENTIRE CONTACT): 1.27um MIN NICKEL AND
ACTION
PIN: 0.5um MIN TIN/LEAD.
FOR PLATING OF MATING SURFACES SEE APPLICABLE SPECIFICATION REFERENCE FOR EACH
DASH NUMBER.
- 9 CONFORMS TO ALL TESTING ACCORDING TO IEC 61076-4-101
PERFORMANCE LEVEL 2.
- 10 CONFORMS TO ALL TESTING ACCORDING TO IEC 61076-4-101
PERFORMANCE LEVEL 2.
- 11 CONNECTOR TESTED AND QUALIFIED AGAINST TELCORDIA GR-1217-CORE QUALITY LEVEL 3,
CENTRAL OFFICE APPLICATIONS.
- 12 CONNECTOR TESTED AND QUALIFIED AGAINST TELCORDIA GR-1217-CORE QUALITY LEVEL 3,
UNCONTROLLED ENVIROMENT APPLICATIONS.
- 13 CONNECTOR LUBRICATED WITH BELCORE APPROVED LUBRICANT,
TECHNICAL REFERENCE: TR-NWT-001217 ISSUE 1, SEP 1992.

THIS DRAWING IS A CONTROLLED DOCUMENT.		DWN J. V. DREUMEL 10-NOV-93	Tyco Electronics Corporation Harrisburg, PA 17105-3608																						
DIMENSIONS: mm		CHK B. MOOIJ 10-NOV-93	NAME																						
TOLERANCES UNLESS OTHERWISE SPECIFIED: ±0.2		APVD -	Z-PACK 2mm HM TYPE A 154 POS. MALE BACKPANEL CONNECTOR ASSEMBLY																						
<table border="0"> <tr><td>0-PLC</td><td>±</td><td>-</td></tr> <tr><td>1-PLC</td><td>±</td><td>-</td></tr> <tr><td>2-PLC</td><td>±</td><td>-</td></tr> <tr><td>3-PLC</td><td>±</td><td>-</td></tr> <tr><td>4-PLC</td><td>±</td><td>-</td></tr> <tr><td>ANGLES</td><td>±</td><td>-</td></tr> <tr><td>FINISH</td><td>±</td><td>-</td></tr> </table>		0-PLC	±	-	1-PLC	±	-	2-PLC	±	-	3-PLC	±	-	4-PLC	±	-	ANGLES	±	-	FINISH	±	-	PRODUCT SPEC 108-19082	SIZE A2	CAGE CODE 00779
0-PLC	±	-																							
1-PLC	±	-																							
2-PLC	±	-																							
3-PLC	±	-																							
4-PLC	±	-																							
ANGLES	±	-																							
FINISH	±	-																							
MATERIAL		APPLICATION SPEC 114-19029	DRAWING NO C=106717	RESTRICTED TO -																					
<table border="0"> <tr><td></td><td>△</td></tr> <tr><td></td><td>△</td></tr> </table>			△		△	WEIGHT -	SCALE -	SHEET 2 OF 2																	
	△																								
	△																								
CUSTOMER DRAWING			REV E																						

106717