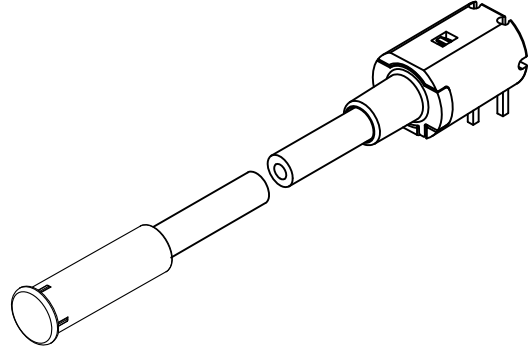
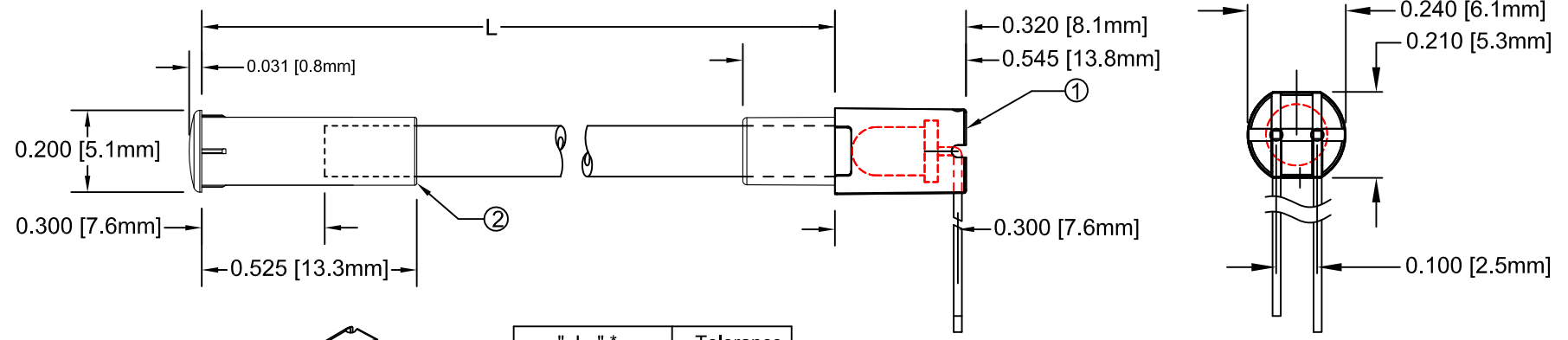


ITEM	Q'TY	PART NUMBER	PART DESCRIPTION
1	1	FLPR2-XX	Flexible Light Pipe 2mm Adapter, Right Angle w/ LED, See page 2
2	1	LC2-XX.X	2mm Flexible Light Pipe Lens Cap Assembly

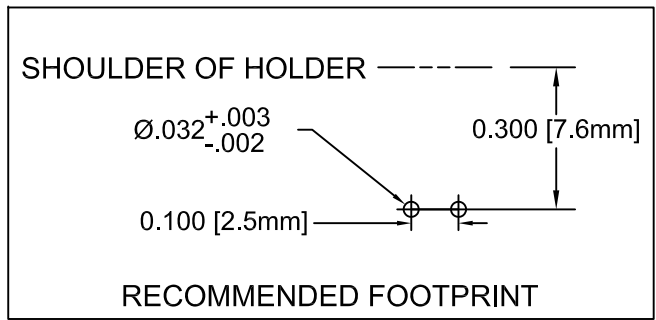
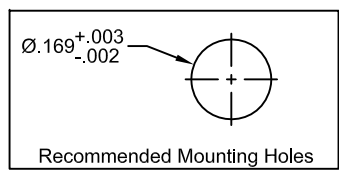
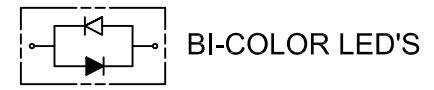
REV.	DESCRIPTION	DATE	APPROVED
A	Engineering Release	09/11/09	T. Y.
B	Replaced 3UWC-0.6K-F with 3UWC1.035C-F	04/26/12	T. Y.
C	Updated Table For Length "L"	11/16/12	T. Y.

**NOTE: FLPR2-XX ADAPTER SHIPPED NON-ASSEMBLED**



" L " *	Tolerance
1.0" ~ 16.0"	±0.050"
16.1" ~ 40.0"	±0.15"
40.1" ~ 80.0"	±0.30"
80.1" ~ 3,940.0"	±0.5%

\* Available in 0.1" increments only



SHORT LEAD CATHODE	LED PART NO.	LONG LEAD CATHODE
RED	3xBCC-F	GREEN
YELLOW	3xBCC-Y/G-F	GREEN
RED	3xBCC-R/Y-F	YELLOW
AMBER	3xBCC-A/G-F	GREEN

### ABSOLUTE MAXIMUM RATINGS (Ta=25°C)

REVERSE VOLTAGE _____	5V
REVERSE CURRENT _____	100uA
OPERATING TEMPERATURE RANGE _____	-25° C - 85° C
STORAGE TEMPERATURE _____	-30° C - 100° C
LEAD SOLDERING TEMPERATURE (1/16" FROM BODY) _____	260° C FOR 5 SECONDS

STANDARD TOLERANCE (UNLESS OTHERWISE SPECIFIED)		 <b>BIVAR</b> <sup>®</sup> 4 THOMAS, IRVINE, CA. 92618 TEL: (949) 951-8808 FAX: (949) 951-3974	
DECIMALS	ANGULAR		
.X ±.1	X° ± 1°	 <b>TITLE:</b> FLEXIBLE LIGHT PIPE ASSY, 5mm ROUND, RIGHT ANGLE	
.XX ±.02			
.XXX ±.010			
DESIGNED: <b>Brian Oliver</b>	DATE: <b>09/11/09</b>	<b>PART NO:</b> FLP2RX.X-XXX	REVISION: <b>C</b>
CHECKED: <b>Fred Jensen</b>	DATE: <b>09/11/09</b>	<b>CAGE CODE :</b> 32559	<b>SHEET # 1 OF 2</b>
CAD GENERATED DOCUMENT, DO NOT MEASURE DRAWING.			

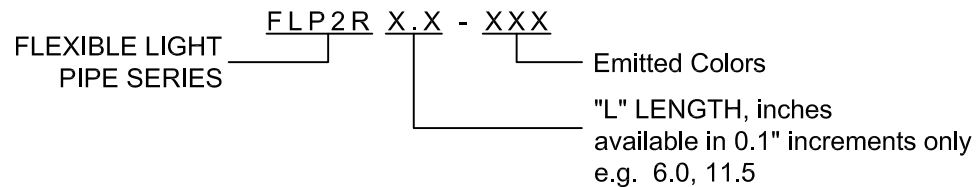
REV.	DESCRIPTION	DATE	APPROVED
	SEE SHEET#1		

SINGLE COLOR ASSEMBLIES


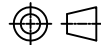
Assembly Part No.	Emitted Color	LED Part No.
FLP2RX.X-SA	AMBER	3SAC-F
FLP2RX.X-UBW	BLUE	3UBWC-0.6K-F
FLP2RX.X-SG	GREEN	3SGC-F
FLP2RX.X-UG	GREEN	3UGC-F
FLP2RX.X-SUG	GREEN	3SUGC-F
FLP2RX.X-UO	ORANGE	3UOC-F
FLP2RX.X-SUO	ORANGE	3SUOC-F
FLP2RX.X-SR	RED	3SRC-F
FLP2RX.X-UR	RED	3URC-F
FLP2RX.X-SUR	RED	3SURC-F
FLP2RX.X-UT	TURQUOISE	3UTC-F
FLP2RX.X-SY	YELLOW	3SYC-F
FLP2RX.X-UY	YELLOW	3UYC-F
FLP2RX.X-SUY	YELLOW	3SUYC-F
FLP2RX.X-UUY	YELLOW	3UUYC-F
FLP2RX.X-UW	WHITE	3UWC1.035C-F

BI-COLOR ASSEMBLIES

Assembly Part No.	Emitted Color	LED Part No.
FLP2RX.X-BC	HE RED	3BCC-F
	GREEN	
FLP2RX.X-YG	YELLOW	3BCC-Y/G-F
	GREEN	
FLP2RX.X-RY	YELLOW	3BCC-R/Y-F
	HE RED	
FLP2RX.X-AG	AMBER	3BCC-A/G-F
	GREEN	
FLP2RX.X-SBC	SUPER RED	3SBCC-F
	HE GREEN	
FLP2RX.X-SYG	SUPER YELLOW	3SBCC-Y/G-F
	HE GREEN	
FLP2RX.X-SRY	SUPER RED	3SBCC-R/Y-F
	SUPER YELLOW	



NOTES:  
1. REFERENCE LED PRINTS FOR OPTICAL/ELECTRICAL SPECIFICATIONS

STANDARD TOLERANCE ( UNLESS OTHERWISE SPECIFIED ) <u>DECIMALS</u> <u>ANGULAR</u>		 <b>BIVAR</b> ® 4 THOMAS, IRVINE, CA. 92618 TEL: (949) 951-8808    FAX: (949) 951-3974	
			
DESIGNED: <b>Brian Oliver</b>	DATE: <b>09/11/09</b>	<b>PART NO:</b> FLP2RX.X-XXX	REVISION: <b>C</b>
CHECKED: <b>Fred Jensen</b>	DATE: <b>09/11/09</b>	<b>CAGE CODE :</b> 32559	<b>SHEET # 2 OF 2</b>
CAD GENERATED DOCUMENT, DO NOT MEASURE DRAWING.			