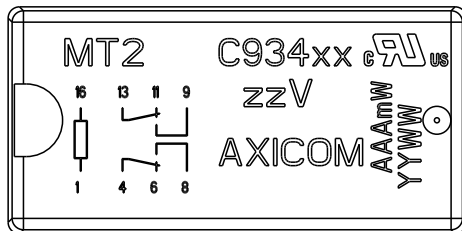
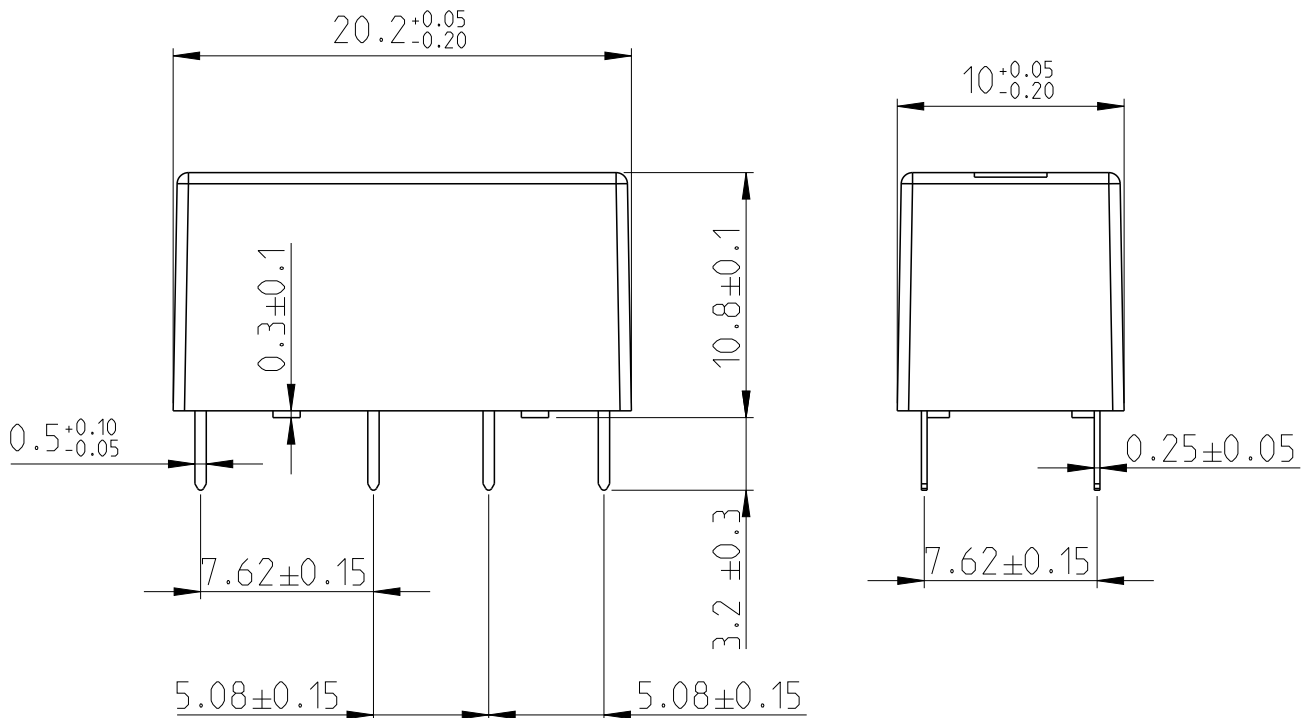
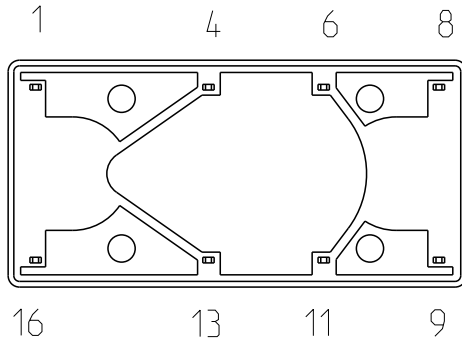


REVISIONS

P	LTR	DESCRIPTION	DATE	DWN	APVD
	A6	ECR-11-005150	25.3.2011	-	HMR
	A7	ECR-16-004300	22.3.2016	VG	PH

Bottom view



Top view


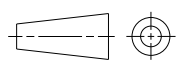
xx = relay type
 zz = nominal voltage
 AAA = rated coil power
 YYWW = date code

RELEASED FOR PUBLICATION

ALL RIGHTS RESERVED.

THIS DRAWING IS UNPUBLISHED.

© COPYRIGHT copyright_date BY -

DIMENSIONS: mm	DWN Grbac	22.3.2016	MATERIAL	-	FINISH	-
TOLERANCES UNLESS OTHERWISE SPECIFIED:	CHK Kaspar	-	 TE Connectivity			
0 PLC ±	APVD Hofman	-				
1 PLC ±0.1	PRODUCT SPEC	-	NAME MT2-Relay			
2 PLC ±0.01	APPLICATION SPEC	-	SIZE	CAGE CODE	DRAWING NO	RESTRICTED TO
3 PLC ±0.005			A 4	-	C=1462000-2	-
4 PLC ±0.0001	WEIGHT	-	CUSTOMER DRAWING			
ANGLES ±			SCALE	SHEET	REV	
			3:1	1 OF 1	A7	

Mouser Electronics

Authorized Distributor

Click to View Pricing, Inventory, Delivery & Lifecycle Information:

[TE Connectivity:](#)

[C93403](#)