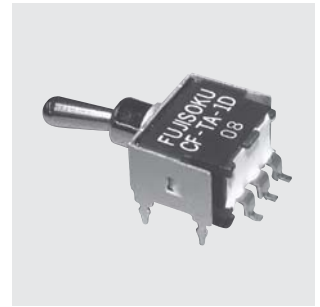


CF-TA

Reflow Toggle Switch



RoHS Compliant

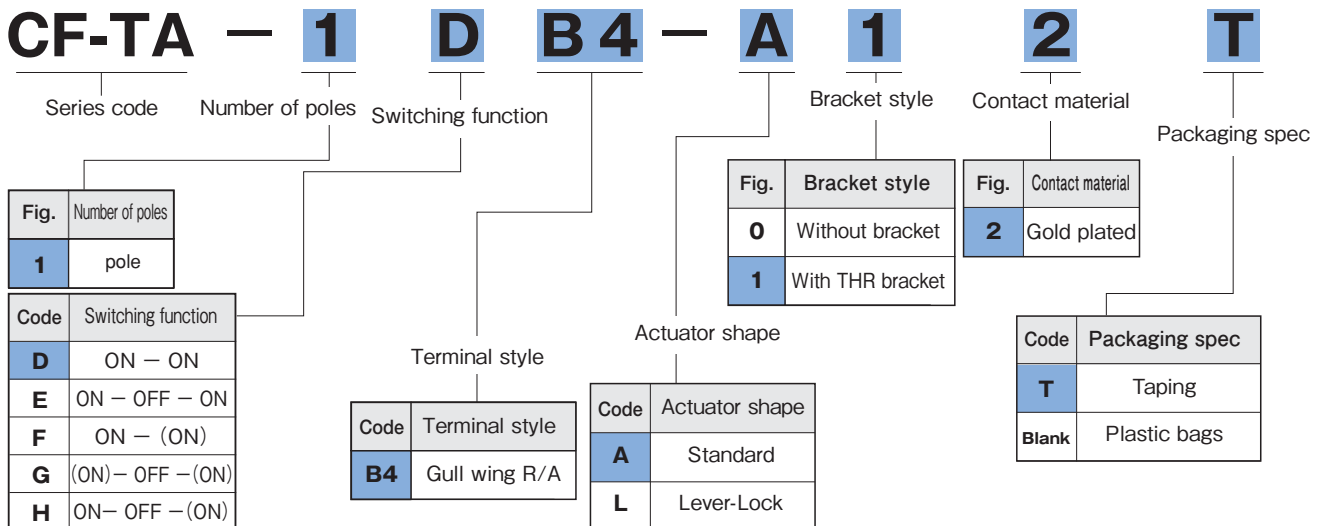
Features

1. Industry's first toggle switch compatible with through-hole reflow soldering.
2. Compatible with pick and place machines.
3. Heat resistant resin for reflow and dip soldering.
4. Gold-plated contacts.

Specifications

Rating	Max.	AC/DC 48V 50mA (Resistive load)
	Min.	AC/DC 20mV 1μA
Initial contact resistance	100mΩ max. (1.5mA 200μ VAC)	
Dielectric strength	500VAC 1 minute	
Insulation resistance	500mΩ min. (500VDC)	
Electrical life	10,000 cycles at max. rating,	
Operating temperature range	-40°C~+85°C	
Storage temperature range	-40°C~+85°C	

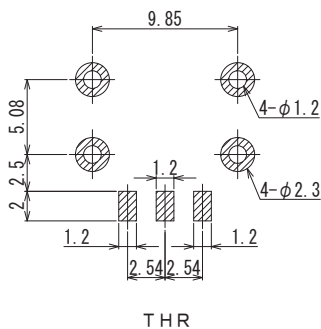
Part Numbering



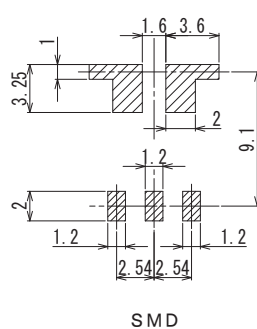
PC Hole Layouts

Standard

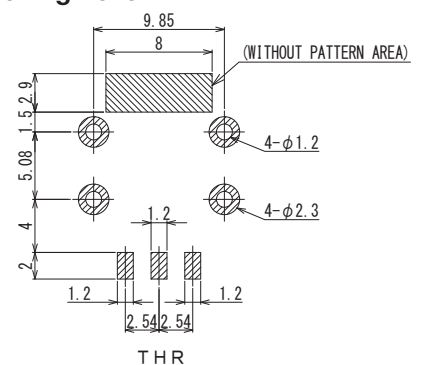
With THR bracket



Without bracket



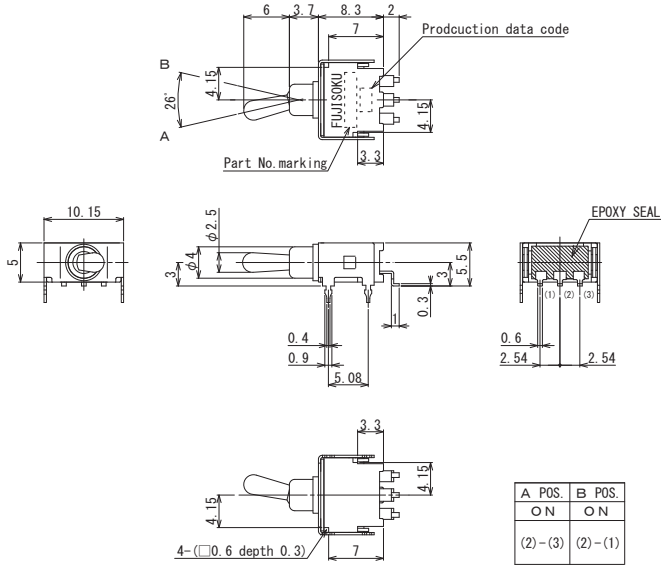
Locking Lever



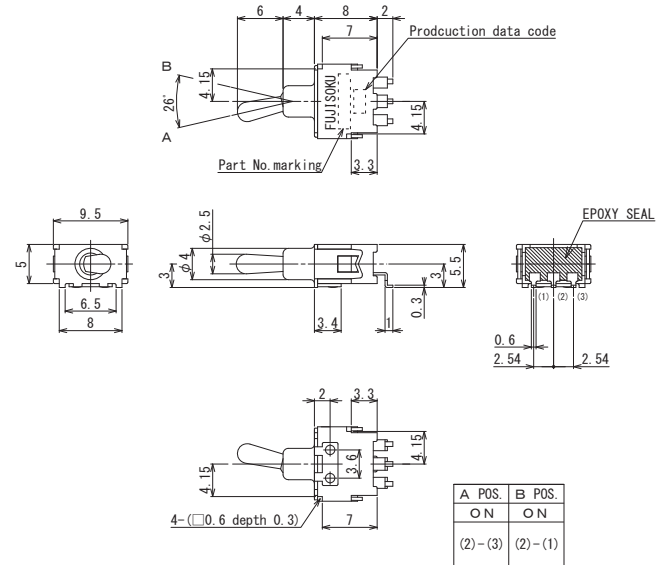
Outline dimensions

Standard

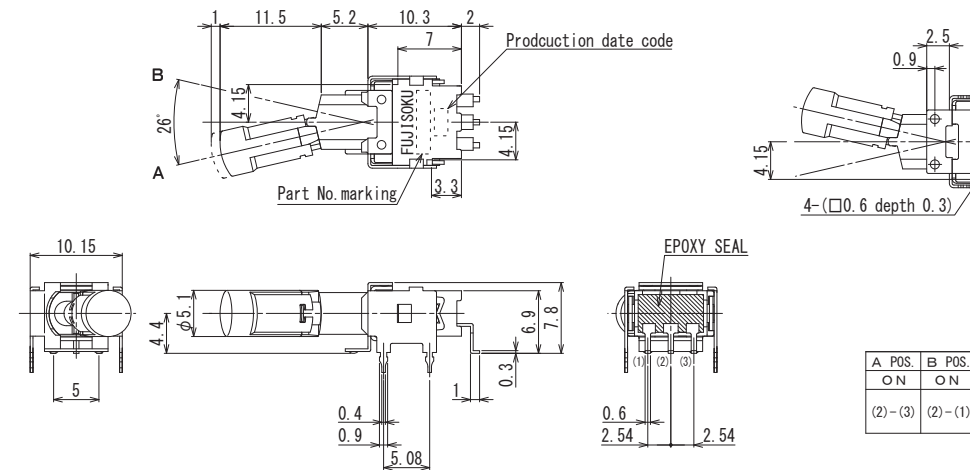
With THR bracket



Without bracket



Locking Lever



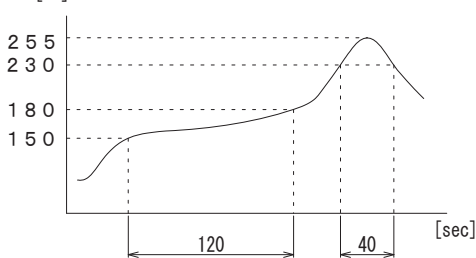
List of part numbers

Number of poles	Switching function	Actuator shape	Form of Packaging	Terminal style		Pieces in package
				SMD	THR	
1 pole	D	Standard	Taping	CF-TA-1DB4-A02T	CF-TA-1DB4-A12T	500pcs./reel
	E			CF-TA-1EB4-A02T	CF-TA-1EB4-A12T	500pcs./reel
	F			★CF-TA-1FB4-A02	★CF-TA-1FB4-A12T	500pcs./reel
	G			★CF-TA-1GB4-A02	★CF-TA-1GB4-A12T	500pcs./reel
	H			★CF-TA-1HB4-A02	★CF-TA-1HB4-A12T	500pcs./reel
	D			CF-TA-1DB4-A02	CF-TA-1DB4-A12	20pcs./pack
	E	CF-TA-1EB4-A02	CF-TA-1EB4-A12	20pcs./pack		
	F	★CF-TA-1FB4-A02	★CF-TA-1FB4-A12	20pcs./pack		
	G	★CF-TA-1GB4-A02	★CF-TA-1GB4-A12	20pcs./pack		
	H	★CF-TA-1HB4-A02	★CF-TA-1HB4-A12	20pcs./pack		
	D	Lever-lock	Taping	—	CF-TA-1DB4-L12T	250pcs./reel
				—	CF-TA-1DB4-L12	20pcs./pack

Soldering

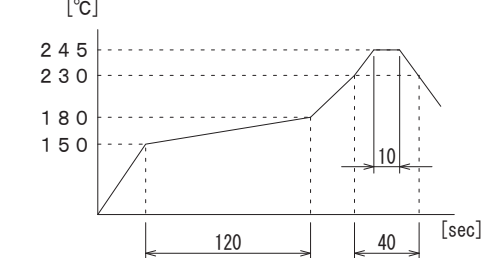
(1) Reflow soldering

- Standard



Locking Lever

- Device: Solder iron
- 380°C Max. 3sec Max.



■ Packaging Specifications

(1) Taping

Standard type: 500 pcs/reel.

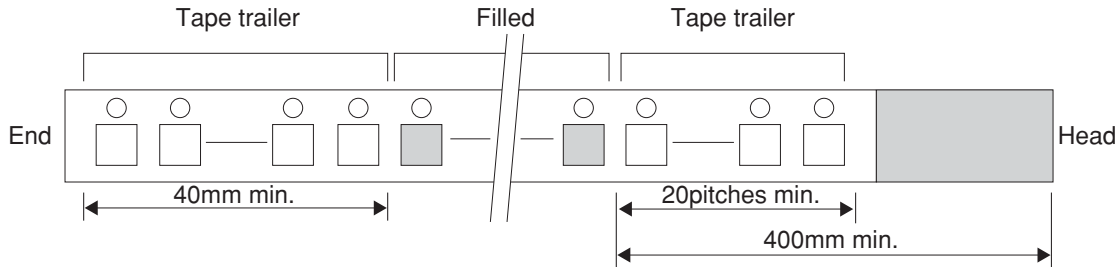
Locking lever type: 250 pcs/reel.

One reel is packed into one carton (1 reel / carton).

The maximum number of consecutive missing pieces shall be 2.

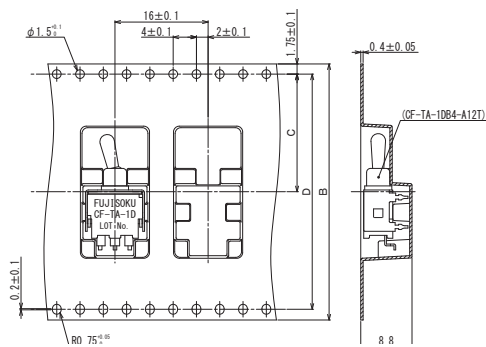
Embossed tape dimensions are shown in the diagram below.

Fig.1 Embossed tape dimensions

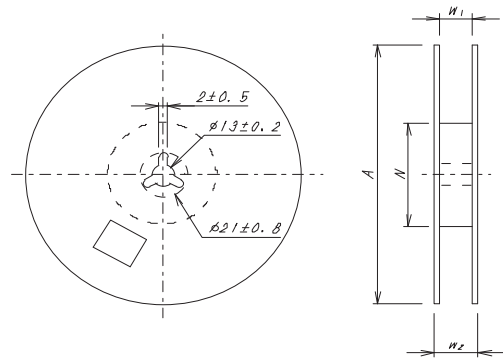


<Tape dimensions>

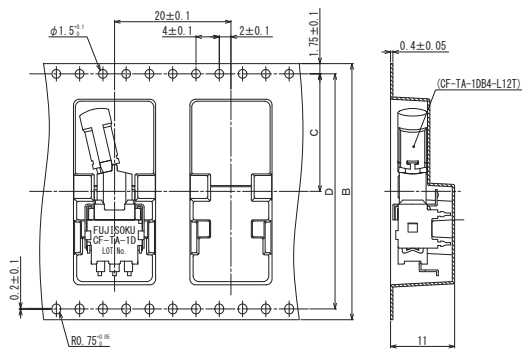
•Standard



<Reel dimensions>



•Locking Lever



Unit (mm)

B	C	D
44	20.2±0.1	40.4±0.1

Unit (mm)

A	W ₁	W ₂	N
φ 330±2	45.4±1	49.4±1	φ 80±1

(2) Bulk

20 pcs / plastic bag