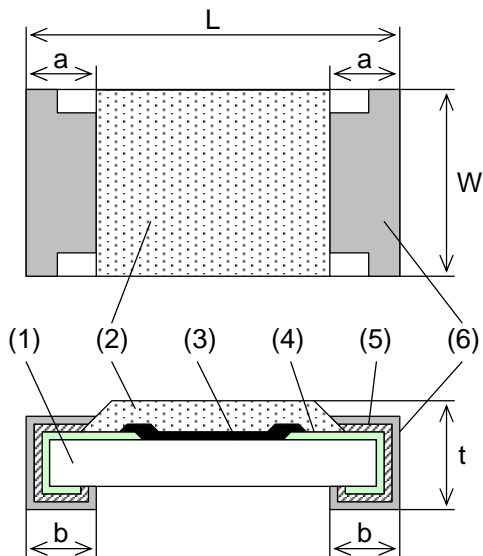


Subject	PRODUCT SPECIFICATION FOR IMFORMATION	Spec. No.
Chip Resistor		151-SRJ-E8062A
Part No.	ERJ1GN	10 - 1

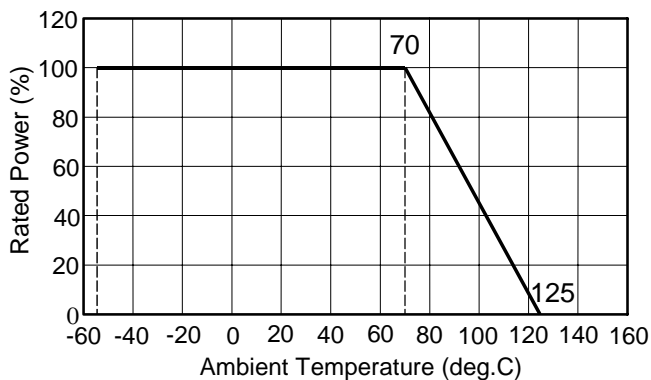
1. Dimension



- (1) Substrate : Alumina
- (2) Protective Coating : Resin
- (3) Resistive Element : Metal glaze
- (4) Inner Termination : Thick film material
- (5) Middle Termination : Ni Plating
- (6) Outer Termination : Sn Plating

	L	W	a	b	t
Dimension (mm)	0.60+/-0.03	0.30+/-0.03	0.10+/-0.05	0.15+/-0.05	0.23+/-0.03

2. Power Derating Curve



Operating temperature range : -55 to 125 deg.C

Figure 1

3. Ratings

3-1 Resistor

Item	Rated value	Explanation
Power Rating	0.05W	When used at ambient temperature above 70 deg.C, power rating shall be determined in accordance with Figure 1.

Subject	PRODUCT SPECIFICATION FOR IMFORMATION	Spec. No.
Chip Resistor		151-SRJ-E8062A
Part No.	ERJ1GN	10 - 2

Item	Rated value	Explanation												
Rated voltage & Rated Continuous Working Voltage		The rated voltage of each resistance should be calculated from the equation below. And when the rated voltage exceeds the maximum RCWV, the maximum RCWV should be the rated voltage. Rated voltage = (Power rating x Resistance Value) ^{1/2} The maximum RCWV : 25V For Jumper : Rated current 0.5 A												
Overload Voltage		The overload voltage should be 2.5 times the rated voltage. And when the voltage exceeds the maximum overload voltage, the maximum overload voltage should be the overload voltage. The maximum overload voltage : 50V For Jumper : Overload current 1 A												
Resistance Tolerance		<table border="1"> <thead> <tr> <th>Code</th> <th>Tolerance</th> </tr> </thead> <tbody> <tr> <td>F</td> <td>+/-1%</td> </tr> <tr> <td>J</td> <td>+/-5%</td> </tr> <tr> <td>0</td> <td>Jumper</td> </tr> </tbody> </table>	Code	Tolerance	F	+/-1%	J	+/-5%	0	Jumper				
Code	Tolerance													
F	+/-1%													
J	+/-5%													
0	Jumper													
Resistance		<table border="1"> <thead> <tr> <th>Code</th> <th>Resistance range</th> <th>Series</th> </tr> </thead> <tbody> <tr> <td>F</td> <td>10 ohm – 1.0M ohm</td> <td>E-24,E96</td> </tr> <tr> <td>J</td> <td>1.0 ohm – 10M ohm</td> <td>E24</td> </tr> <tr> <td>0</td> <td>Less than 50m ohm</td> <td>-----</td> </tr> </tbody> </table>	Code	Resistance range	Series	F	10 ohm – 1.0M ohm	E-24,E96	J	1.0 ohm – 10M ohm	E24	0	Less than 50m ohm	-----
Code	Resistance range	Series												
F	10 ohm – 1.0M ohm	E-24,E96												
J	1.0 ohm – 10M ohm	E24												
0	Less than 50m ohm	-----												

4. Explanation of Part Number

4-1 (Resistance : J)

E	R	J	1	G	N	J	1	0	2	C
			(1)	(2)		(3)	(4)		(5)	

(1) Product Code : Thick Film Chip Resistor

(2) Size and Rated Power : 0.6 mm x 0.3 mm, 0.05 W

(3) Resistance Tolerance

Code	Resistance Tolerance
J	+/- 5%
0	Jumper

(4) Resistance Value

The first two digits are the significant figures of resistance value, and the last figure shows the number of zero following in ohm. And " R " means decimal point, and the other two digits are significant figures of resistance value following in ohm.

And "R00" means jumper.

Subject	PRODUCT SPECIFICATION FOR IMFORMATION	Spec. No.
Chip Resistor		151-SRJ-E8062A
Part No.	ERJ1GN	10 - 3

(5) Packaging Configuration

Code	Packaging Configuration
C	Taping (15000pcs/reel)

4-2 (Resistance : F)

E	R	J	1	G	N	F	1	0	2	1	C
(1)	(2)				(3)	(4)			(5)		

(1) Product Code : Thick Film Chip Resistor

(2) Size and Rated Power : 0.6 mm x 0.3 mm, 0.05 W

(3) Resistance Tolerance

Code	Resistance Tolerance
F	+/- 1%

(4) Resistance Value

The first three digits are the significant figures of resistance value, and the last figure shows the number of zero following in ohm. And " R " means decimal point, and the other three digits are significant figures of resistance value following in ohm.

(5) Packaging Configuration

Code	Packaging Configuration
C	Taping (15000pcs/reel)

5. Appearance & Construction

Item	Specification	Explanation
Appearance & Construction	<ol style="list-style-type: none"> The resistive element should be covered with protective coating that don't fade easily. The surface of coating should avoid unevenness, flaw, pinhole and discoloration. The electrode should be printed uniformly, as shown in the dimensions. The plating should not fade easily, and should avoid unevenness, flaw, pinhole, projection and discoloration. The electrode should be connected electrically, mechanically to resistive element. Dimensions of the substrate should be as in the list and it should not have chipping, flaw, flash and crack. Details of appearance criteria shall be as described in attached sheet. 	

As far as there shall not designation especially, the following tests and measurement shall be operated under the following conditions.

Normal temperature : 15 deg.C to 35 deg.C

Normal humidity : 25 % to 75 %

Normal atmospheric pressure : 86 k Pa to 106 k Pa

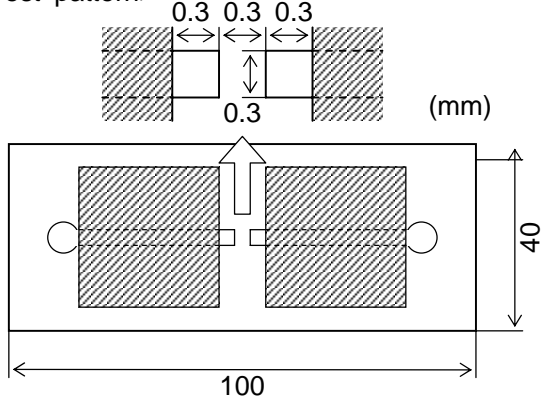
Subject	PRODUCT SPECIFICATION FOR IMFORMATION	Spec. No.
Chip Resistor		151-SRJ-E8062A
Part No.	ERJ1GN	10 - 4

6. Performance Specification

Item	Specification		Test Method (JIS-C5201-1)
	Resistor	Jumper	
DC resistance	DC resistance value shall be within the specified tolerance.	Less than 50m ohm	At 20 deg.C, 65%RH
Temperature coefficient of resistance (TCR)	1.0 ohm – 9.1 ohm : $+600/-100 \times 10^{-6}/\text{deg.C}$ 10 ohm – 1 M ohm : $\pm 200 \times 10^{-6}/\text{deg.C}$ 1.1 M ohm – 10 M ohm : $+150/-400 \times 10^{-6}/\text{deg.C}$ Chip jumper : Less than 50 mΩ		Natural resistance change per temperature degree centigrade. $\text{TCR} = (R_2 - R_1) \times 10^6 / R_1 (t_2 - t_1) \quad (\times 10^{-6}/\text{deg.C})$ R ₁ : Resistance value at reference temperature (t ₁) R ₂ : Resistance value at test temperature (t ₂) t ₁ : 25 deg.C , t ₂ : 125 deg.C
Short time overload	ΔR : +/- (2%+0.1ohm)	Less than 50m ohm	Resistors shall be applied 2.5 times the rated voltage for 5 seconds. Max. overload voltage shall be 50V.
Intermittent overload	ΔR : +/- (5%+0.1ohm)	Less than 50m ohm	Resistors shall be subjected to 10000 cycles of 2.5 times the rated voltage applied for 1 second with pause of 25 seconds between tests. Max. overload voltage shall be 50V.

Subject	PRODUCT SPECIFICATION FOR IMFORMATION	Spec. No.
Chip Resistor		151-SRJ-E8062A
Part No.	ERJ1GN	10 - 5

7. Machinery characteristic

Item	Specification		Test Method (JIS-C5201-1)
	Resistor	Jumper	
Bending strength	No mechanical damage.		Substrate : Glass epoxy (t=1.0 mm) Span : 90mm Bending distance : 3mm (10 seconds) <Test pattern> 
	ΔR : +/- (1%+0.05ohm)	Less than 50m ohm	
Solderability	Termination should be covered uniformly with solder (Min. 95% coverage)		Resistors shall be dipped in the melted solder bath at 235 deg.C +/- 5 deg.C for 2 seconds +/- 0.5 second. Flux shall be removed from the surface of termination with clean organic solvent.
Resistance to soldering heat	ΔR : +/- (1%+0.05ohm)	Less than 50m ohm	Resistors shall be dipped in the melted solder bath at 270 deg.C +/- 3 deg.C for 10 seconds +/- 1 second.
Resistance to vibration (Low frequency)	ΔR : +/- (1%+0.05ohm)	Less than 50m ohm	Resistors shall be subjected to a single vibration having as double amplitude of 1.5 mm in 3 directions perpendicular one another for 2 hours each. (6 hours in total) The vibration frequency shall be varied uniformly from 10 Hz to 55 Hz, and return to 10 Hz traversing for 1 min.
Resistance to solvent	Without distinct deformation in appearance		Solvent solution : Isopropyl alcohol (1) Dipping 10 +/- 1 hours, dry in room condition for 30 +/- 10 minutes. (2) Ultrasonic wave washing : 5 +/- 1 min. (0.3W/cm, 28kHz) Dry in room condition for 30 +/- 10 minutes.
	ΔR : +/- (0.5% +0.05ohm)	Less than 50m ohm	

Subject	PRODUCT SPECIFICATION FOR IMFORMATION	Spec. No.
Chip Resistor		151-SRJ-E8062A
Part No.	ERJ1GN	10 - 6

8. Environmental test

Item	Specification		Test Method (JIS-C5201-1)															
	Resistor	Jumper																
Low temperature exposure	$\Delta R : \pm(1\%+0.05\text{ohm})$	Less than 50m ohm	Resistors shall be exposed at -55 deg.C +/- 3 deg.C with no load for 1000 hours +48/-0 hours.															
High temperature exposure	$\Delta R : \pm(1\%+0.05\text{ohm})$	Less than 50m ohm	Resistors shall be exposed at 125 deg.C +/- 3 deg.C with no load for 1000 hours +48/-0 hours.															
Temperature cycling	$\Delta R : \pm(1\%+0.05\text{ohm})$	Less than 50m ohm	Resistors shall be tested for 5 cycles continuously in accordance with the following duty cycle. <table border="1" data-bbox="842 913 1437 1081"> <thead> <tr> <th>Step</th> <th>Temperature (deg.C)</th> <th>Time (min.)</th> </tr> </thead> <tbody> <tr> <td>1</td> <td>-55 +/-3</td> <td>30</td> </tr> <tr> <td>2</td> <td>Room temperature</td> <td>Max. 3</td> </tr> <tr> <td>3</td> <td>+125 +/-3</td> <td>30</td> </tr> <tr> <td>4</td> <td>Room temperature</td> <td>Max.3</td> </tr> </tbody> </table>	Step	Temperature (deg.C)	Time (min.)	1	-55 +/-3	30	2	Room temperature	Max. 3	3	+125 +/-3	30	4	Room temperature	Max.3
Step	Temperature (deg.C)	Time (min.)																
1	-55 +/-3	30																
2	Room temperature	Max. 3																
3	+125 +/-3	30																
4	Room temperature	Max.3																
Humidity (Steady state)	$\Delta R : \pm(1\%+0.05\text{ohm})$	Less than 50m ohm	Resistors shall be exposed at 60 deg.C +/- 2 deg.C and 90% to 95% relative humidity in a humidity test chamber for 1000 hours +48/-0 hours.															
Load life	$\Delta R : \pm(3\%+0.1\text{ohm})$	Less than 50m ohm	Resistors shall be operated at DC rated Voltage (1.5 hours "ON", 0.5 hours "OFF") for 1000 hours +48/-0 hours in a test chamber controlled at 70 deg.C +/-2 deg.C.															
Load life in humidity	$\Delta R : \pm(3\%+0.1 \text{ ohm})$	Less than 50m ohm	Resistors shall be operated at DC rated Voltage (1.5 hours "ON", 0.5 hours "OFF") for 1000 hours +48/-0 hours in a test chamber controlled at 60 deg.C +/- 2 deg.C and at 90 % to 95% in relative humidity.															

9. Resistance value marking

No marking

Subject	PRODUCT SPECIFICATION FOR INFORMATION	Spec. No.
Chip Resistor		151-SRJ-E8062A
Part No.	ERJ1GN	10 - 7

10. Common precautions in handling resistors

Notice for use

- (1) This specification shows the quality and performance of a unit component. Before adoption, be sure to evaluate and verify the product mounting it in your product.
- (2) We take no responsibility for troubles caused by the product usage that is not specified in this specification.
- (3) Use fail-safe design and ensure safety by carrying out the following items in cases where it is forecast that the failure of the product gives serious damage to something important like human life, for instant in traffic transportation equipment (trains, cars, traffic signal equipment, etc.), medical equipment, aerospace equipment, electric heating appliances, combustion and gas equipment, rotating equipment, disaster and crime preventive equipment.
 *Ensure safety as the system by setting protective circuits and protective equipment.
 *Ensure safety as the system by setting such redundant circuits as do not cause danger by a single failure.
- (4) When a dogma shall be occurred about safety for this product, be sure to inform us rapidly, operate your technical examination.
- (5) The product is designed to use in general standard applications of general electric equipment (AV products, household electric appliances, office equipment, information and communication equipment, etc.); hence, it do not take the use under the following special environments into consideration.
 Accordingly, the use in the following special environments, and such environmental conditions may affect the performance of the product; prior to use, verify the performance, reliability, etc. thoroughly.
 - 1) Use in liquids such as water, oil, chemical, and organic solvent.
 - 2) Use under direct sunlight, in outdoor or in dusty atmospheres.
 - 3) Use in places full of corrosive gases such as sea breeze, Cl₂, H₂S, NH₃, SO₂, and NO_x.
 - 4) Use in environment with large static electricity or strong electromagnetic waves.
 - 5) Where the product is close to a heating component, and where an inflammable such as a polyvinyl chloride wire is arranged close to the product.
 - 6) Where the resistor is sealed or coated with resin, etc.
 - 7) Where water or a water-soluble detergent is used in cleaning free soldering and in flux cleaning after soldering (Pay particular attention to soluble flux.)
 - 8) Use in such a place where the product is wetted due to dew condensation.
- (6) If transient load (heavy load in a short time) like pulse is expected to be applied, carry out evaluation and confirmation test with resistors actually mounted on your own board. When the load of more than rated power is applied under the load condition at steady state, it may impair performance and/or reliability of resistor. Never exceed the rated power. When the product shall be used under special condition, be sure to ask us in advance.
- (7) Halogen type (Chlorine type, Bromine type, etc.) or other high-activity flux is not recommended as the residue may affect performance or reliability of resistors.
- (8) When soldering with soldering iron, never touch the body of the chip resistor with a tip of the soldering iron. When using a soldering iron with a tip at high temperature, solder for a time as short as possible. (three seconds or less up to 350 deg.C)
- (9) Avoid physical shock to the resistor and nipping of the resistor with hard tool (a pair of pliers or tweezers) as it may damage protective film or the body of resistor and may affect resistor's performance.
- (10) Avoid immersion of chip resistor in solvent for long time. Use solvent after the effect of immersion is confirmed.

Subject	PRODUCT SPECIFICATION FOR INFORMATION	Spec. No.
Chip Resistor		151-SRJ-E8062A
Part No.	ERJ1GN	10 - 8

11. Storage Method

If the product is stored in the following environments and conditions, the performance and solderability may be badly affected, avoid the storage in the following environments.

- (1) Storage in places full of corrosive gases such as sea breeze, Cl₂, H₂S, NH₃, SO₂, and NO_x.
- (2) Storage in places exposed to direct sunlight.
- (3) Storage in places outside the temperature range of 5 deg.C to 35 deg.C and humidity range of 45 %RH to 85 %RH.
- (4) Storage over a year after our delivery (This item also applies to the case where the storage method specified in item (1) to (3) has been followed.).

12. Laws and Regulations

- (1) No ODCs or other ozone-depleting substances that are subject to regulation under the Montreal Protocol are used in our manufacturing processes, including in the manufacture of this product.
- (2) This product complies with the RoHS Directive (Restriction of the use of certain Hazardous Substances in electrical and electronic equipment (DIRECTIVE 2002/95/EC)).
- (3) All materials used in this product are existing chemical substances recognized under "laws on examination of chemical substances and regulations of manufacturing and others."
- (4) None of the materials used in this product contain the designated incombustible bromic substances, PBBOs and PBBs.
- (5) Please contact us to obtain a notice as to whether this product has passed inspection under review criteria primarily based on Foreign Exchange and Foreign Trade Control Laws, and appended table in the Export Control Laws.

13. Production site

Country : Japan

Plant : Panasonic Electronic Devices Japan Co., Ltd.

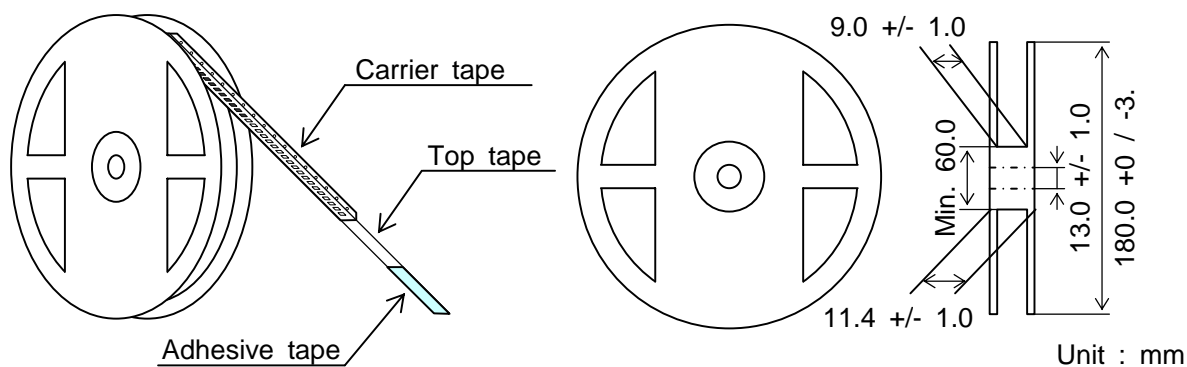
Subject	PRODUCT SPECIFICATION FOR INFORMATION	Spec. No.
Chip Resistor		151-SRJ-E8062A
Part No.	ERJ1GN	10 - 9

14. Taped and Reel Package

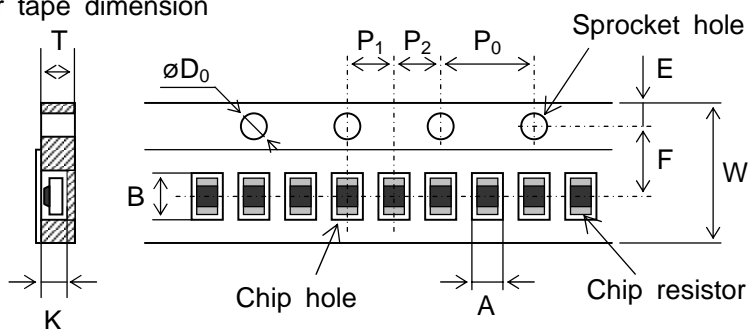
14-1 Physical Dimensions

Structure and reel dimensions shall be as shown in the figure below.

In accordance with EIAJ ET-7200.



14-2 Carrier tape dimension



	A	B	W	F	E
Dimension (mm)	0.38+/-0.05	0.68+/-0.05	8.00+/-0.20	3.50+/-0.05	1.75+/-0.10

	P_1	P_2	P_0	ϕD_0	T	K
Dimension (mm)	2.00+/-0.10	2.00+/-0.05	4.00+/-0.10	1.50+0.10/-0	0.42+/-0.05	0.29+/-0.05

14-3 Specifications

14-3-1 Taping

(1) Minimum Bending Radius

When Carrier tape shall be bent by Minimum Bending Radius (15mm), no deflection of chip and no break of carrier tape. However minimum bending radius shall be tested for 1 time.

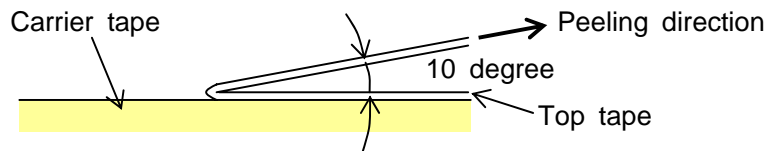
(2) Resistance to climate of top tape

When it shall be exposed at 60 deg.C, 90 to 95 %RH for 120 hours, no exfoliation of top tape.

Subject	PRODUCT SPECIFICATION FOR INFORMATION	Spec. No.
Chip Resistor		151-SRJ-E8062A
Part No.	ERJ1GN	10 - 10

(3) When the test shall be operated with the below conditions, peel strength should be 0.049 N to 0.49 N, should not have flash and tear after peeling.

(Test Method)



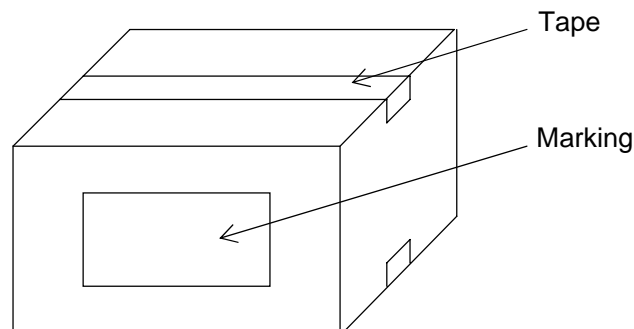
14-3-2 Quantity in Taping : 15000 pcs./reel

14-3-3 Tape packaging

- (1) Resistance side shall be facing upward.
- (2) Chip resistor shall not be sticking to top tape.
- (3) Chip resistor shall be easy to take out from carrier tape and chip hole or sprocket hole shall not have flash and break.

14-4 Outer Packaging

Quantity : 20 reels (Max. 300,000pcs.)



- * When taping shall not reach Max. or quantity, the remaining empty space shall be buried with buffer material.
- * When the quantity shall be few, alternative packaging methods may be used. No problem must occur during the exportation of the product.

14-5 Marking

At last, production country is displayed in English.

- (1) Side of reel (Marking shall be on one side)
 - 1)Part name, 2)Part number, 3)Quantity, 4)Lot number, 5)Maker name
 - 6) Production country
- (2)Packaging box
 - 1)Customer name, 2)Part name, 3)Part number, 4)Customer part number, 5)Quantity
 - 6)Maker name, 7)Production country