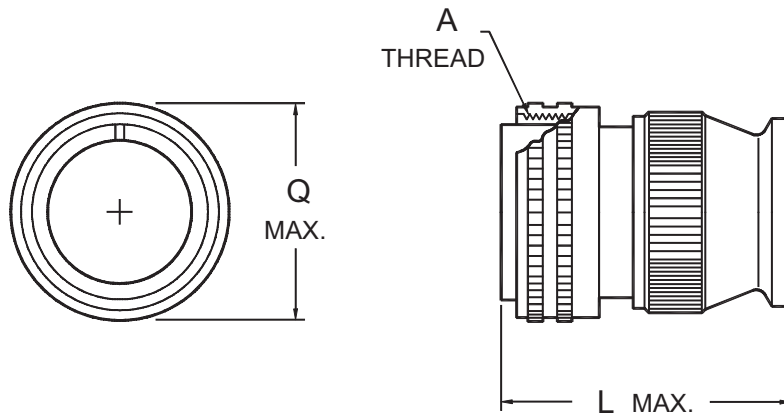


STRAIGHT PLUG

MS3106R



MS3106R Grommet nut, environmental, with grommet[®]

SHELL SIZE	A COUPLING THREAD CLASS 2B	L MAX.	Q MAX.
8S	1/2-28 UNEF	1.838 [46.69]	.844 [21.44]
10S	5/8-24 UNEF	1.838 [46.69]	.969 [24.61]
10SL	5/8-24 UNEF	1.838 [46.69]	.969 [24.61]
12	3/4-20 UNEF	2.181 [55.40]	1.062 [26.97]
12S	3/4-20 UNEF	1.838 [46.69]	1.062 [26.97]
14	7/8-20 UNEF	2.181 [55.40]	1.156 [29.36]
14S	7/8-20 UNEF	1.838 [46.69]	1.156 [29.36]
16	1-20 UNEF	2.181 [55.40]	1.250 [31.75]
16S	1-20 UNEF	1.838 [46.69]	1.250 [31.75]
18	1 1/8-18 UNEF	2.281 [57.94]	1.344 [34.14]
20	1 1/4-18 UNEF	2.281 [57.94]	1.469 [37.31]
22	1 3/8-18 UNEF	2.281 [57.94]	1.594 [40.49]
24	1 1/2-18 UNEF	2.281 [57.94]	1.719 [43.66]
28	1 3/4-18 UNS	2.281 [57.94]	1.969 [50.01]
32	2-18 UNS	2.322 [58.98]	2.219 [56.36]
36	2 1/4-16 UN	2.322 [58.98]	2.469 [62.71]
40	2 1/2-16 UN	2.430 [61.72]	2.719 [69.06]

Dimensions in brackets [] are in millimeters.
 ⌀ Plug has "O" ring under coupling nut.