

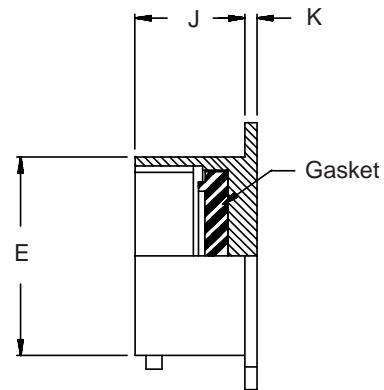
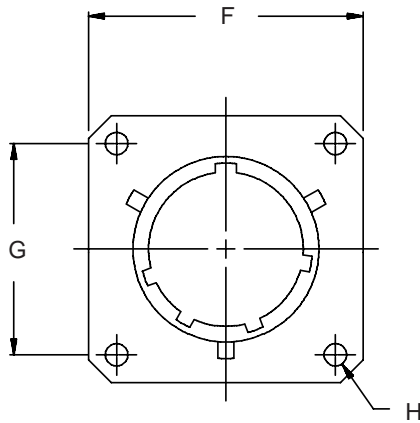
MS3115 Dummy Stowage Receptacle



Dummy
Stowage
Receptacles

Mating Connector
MIL-DTL-26482

MS3115-16 L
 Basic Part No. _____
 Dash No. _____
 Finish
 A = Hard Anodize
 L = Electroless Nickel
 W = Cadmium Olive Drab over
 Electroless Nickel



Shell Size	E Dia ±.003 (.1)	F Max	G Dim	H Dia ±.005 (0.1)	J ±.016 (.4)	K ±.016 (.4)
8	.471 (12.0)	.828 (21.0)	.594 (15.1)	.120 (3.0)	.478 (12.1)	.062 (1.6)
10	.588 (14.9)	.954 (24.2)	.719 (18.3)	.120 (3.0)	.478 (12.1)	.062 (1.6)
12	.748 (19.0)	1.047 (26.6)	.812 (20.6)	.120 (3.0)	.478 (12.1)	.062 (1.6)
14	.873 (22.2)	1.141 (29.0)	.906 (23.0)	.120 (3.0)	.478 (12.1)	.062 (1.6)
16	.998 (25.3)	1.234 (31.3)	.969 (24.6)	.120 (3.0)	.478 (12.1)	.062 (1.6)
18	1.123 (28.5)	1.328 (33.7)	1.062 (27.0)	.120 (3.0)	.478 (12.1)	.062 (1.6)
20	1.248 (31.7)	1.453 (36.9)	1.156 (29.4)	.120 (3.0)	.572 (14.5)	.094 (2.4)
22	1.373 (34.9)	1.578 (40.1)	1.250 (31.8)	.120 (3.0)	.572 (14.5)	.094 (2.4)
24	1.498 (38.0)	1.703 (43.3)	1.375 (34.9)	.147 (3.7)	.605 (15.4)	.094 (2.4)

1. For complete dimensions see applicable Military Specification.
2. Metric dimensions (mm) are indicated in parentheses.