

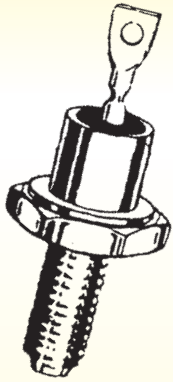


SOLID · STATE
INC.

Your **TOTAL** solutions source!

1N3305 – 1N3350
1N4549 – 1N4556

50 WATTS ZENER DIODES



ZENER DIODES

Units are available with anode-to-case and cathode-to-case connections (standard and reverse polarity). For reverse polarity add suffix "R" to type number.

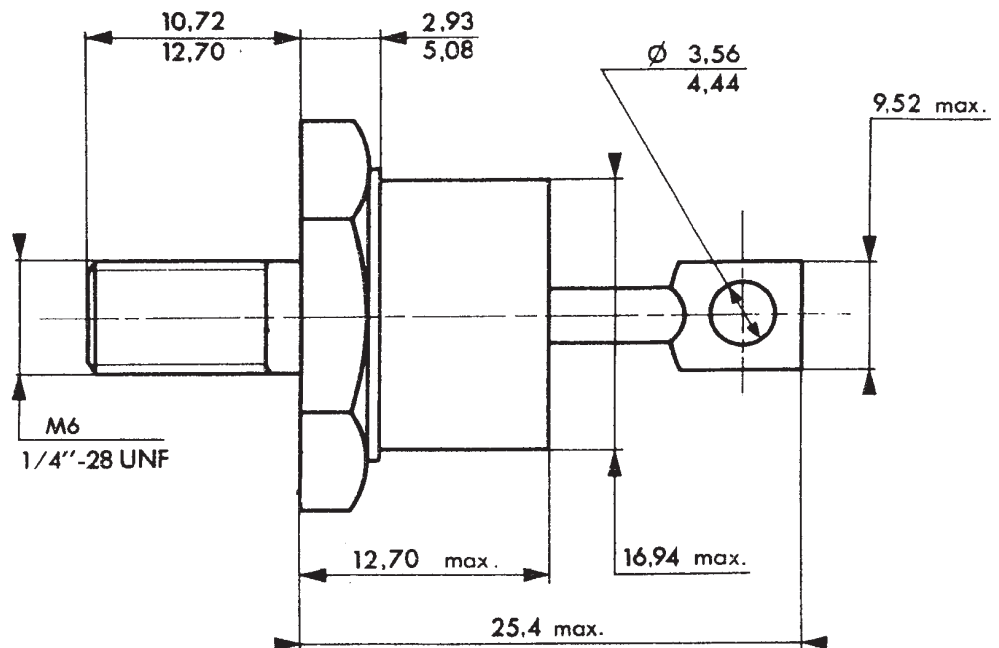
MAXIMUM RATINGS:

Junction and Storage
Temperature: -65°C to +175°C
DC Power Dissipation: 50 Watts
(Derate 0.5W/°C above 75°C)

TOLERANCE DESIGNATION:

Standard voltage tolerances are +/-5% with B suffix, +/-10% with an A suffix and +/-20% with no suffix.

D05



- Standard polarity is anode-to-case
- Reverse polarity with cathode-to-case by designation R suffix in part number, e.g. 1N3305RB, etc.



SOLID · STATE
INC.
Your **TOTAL** solutions source!

46 Farrand Street, Bloomfield, NJ 07003 • 800.631.2075
In NJ: 973.429.8700 • Fax: 973.429.8683 • www.solidstateinc.com

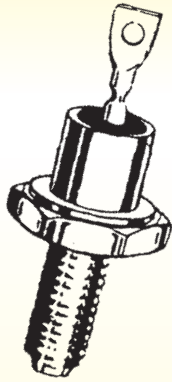


SOLID · STATE INC.

Your TOTAL solutions source!

1N3305 – 1N3350
1N4549 – 1N4556

**50 WATTS
ZENER
DIODES**



*VR1 – Test Voltage for 5% Tolerance Device

VR2 – Test Voltage for 10% Tolerance Device

No Leakage Specified as 20% Tolerance Device

- Standard voltage tolerance are +/-5% with B suffix, +/-10% with an A suffix, and +/-20% with no suffix
- Standard polarity is anode-to-case
- Reverse polarity with cathode-to-case by designating R suffix in part number, e.g. 1N3305RB, etc

ELECTRICAL CHARACTERISTICS (TC = 30°C unless otherwise specified, VF = 1.5 V max @ 10 A on all types)

| Type Number | Nominal Zener Voltage Vz @ IZT Volts | Test Current (IZT) mA | Max Zener Impedance | | Max DC Zener 75°C Case Temp (IZM) mA | Reverse Leakage Current | | | Typical Zener Voltage Temperature Coeff. %/°C |
|-------------|--------------------------------------|-----------------------|---------------------|----------------------|--------------------------------------|-------------------------|-------|-------|---|
| | | | ZT @ IZT Ohms | ZZK @ IZT = 5mA Ohms | | IRMax | VR1 | VR2 | |
| 1N4549 | 3.9 | 3200 | 0.16 | 400 | 11900 | 150 | 0.5 | 0.5 | -.025 |
| 1N4550 | 4.3 | 2900 | 0.16 | 500 | 10650 | 150 | 0.5 | 0.5 | -.025 |
| 1N4551 | 4.7 | 2650 | 0.12 | 600 | 9700 | 100 | 1.0 | 1.0 | .010 |
| 1N4552 | 5.1 | 2450 | 0.12 | 650 | 8900 | 20 | 1.0 | 1.0 | .015 |
| 1N4553 | 5.6 | 2250 | 0.12 | 900 | 8100 | 20 | 1.0 | 1.0 | .030 |
| 1N4554 | 6.2 | 2000 | 0.14 | 1000 | 7300 | 20 | 2.0 | 2.0 | .040 |
| 1N3305 | 6.8 | 1850 | 0.2 | 70 | 6600 | 150 | 4.5 | 4.3 | .040 |
| 1N4555 | 6.8 | 1850 | 0.16 | 200 | 6650 | 10 | 2.0 | 2.0 | .045 |
| 1N3306 | 7.5 | 1700 | 0.3 | 70 | 5900 | 75 | 5.0 | 4.7 | .045 |
| 1N4556 | 7.5 | 1650 | 0.24 | 100 | 6050 | 10 | 3.0 | 3.0 | .053 |
| 1N3307 | 8.2 | 1500 | 0.4 | 70 | 5200 | 50 | 5.4 | 5.2 | .048 |
| 1N3308 | 9.1 | 1370 | 0.5 | 70 | 4800 | 25 | 6.1 | 5.7 | .051 |
| 1N3309 | 10 | 1200 | 0.6 | 80 | 4300 | 10 | 6.7 | 6.3 | .055 |
| 1N3310 | 11 | 1100 | 0.8 | 80 | 3900 | 5 | 8.4 | 8.0 | .060 |
| 1N3311 | 12 | 1000 | 1.0 | 80 | 3600 | 5 | 9.1 | 8.6 | .065 |
| 1N3312 | 13 | 960 | 1.1 | 80 | 3300 | 5 | 9.9 | 9.4 | .065 |
| 1N3313 | 14 | 890 | 1.2 | 80 | 3000 | 5 | 10.6 | 10.1 | .070 |
| 1N3314 | 15 | 830 | 1.4 | 80 | 2800 | 5 | 11.4 | 10.8 | .070 |
| 1N3315 | 16 | 780 | 1.6 | 80 | 2650 | 5 | 12.2 | 11.5 | .070 |
| 1N3316 | 17 | 740 | 1.8 | 80 | 2500 | 5 | 13.0 | 12.2 | .075 |
| 1N3317 | 18 | 700 | 2.0 | 80 | 2300 | 5 | 13.7 | 13.0 | .075 |
| 1N3318 | 19 | 660 | 2.2 | 80 | 2200 | 5 | 14.4 | 13.7 | .075 |
| 1N3319 | 20 | 630 | 2.4 | 80 | 2100 | 5 | 15.2 | 14.4 | .075 |
| 1N3320 | 22 | 570 | 2.5 | 80 | 1900 | 5 | 16.7 | 15.8 | .080 |
| 1N3321 | 24 | 520 | 2.6 | 80 | 1750 | 5 | 18.2 | 17.3 | .080 |
| 1N3322 | 25 | 500 | 2.7 | 90 | 1550 | 5 | 19.0 | 18.0 | .080 |
| 1N3323 | 27 | 460 | 2.8 | 90 | 1500 | 5 | 20.6 | 19.4 | .085 |
| 1N3324 | 30 | 420 | 3.0 | 90 | 1400 | 5 | 22.8 | 21.6 | .085 |
| 1N3325 | 33 | 380 | 3.2 | 90 | 1300 | 5 | 25.1 | 23.8 | .085 |
| 1N3326 | 36 | 350 | 3.5 | 90 | 1150 | 5 | 27.4 | 25.9 | .085 |
| 1N3327 | 39 | 320 | 4.0 | 90 | 1050 | 5 | 29.7 | 28.1 | .090 |
| 1N3328 | 43 | 290 | 4.5 | 90 | 975 | 5 | 32.7 | 31.0 | .090 |
| 1N3329 | 45 | 280 | 4.5 | 100 | 930 | 5 | 34.2 | 32.4 | .090 |
| 1N3330 | 47 | 270 | 5.0 | 100 | 880 | 5 | 35.8 | 33.8 | .090 |
| 1N3331 | 50 | 250 | 5.0 | 100 | 830 | 5 | 38.0 | 36.0 | .090 |
| 1N3332 | 51 | 245 | 5.2 | 100 | 810 | 5 | 38.8 | 36.7 | .090 |
| 1N3333 | 52 | 240 | 5.5 | 100 | 790 | 5 | 39.5 | 37.4 | .090 |
| 1N3334 | 56 | 220 | 6 | 110 | 740 | 5 | 42.6 | 40.3 | .090 |
| 1N3335 | 62 | 200 | 7 | 120 | 660 | 5 | 47.1 | 44.6 | .090 |
| 1N3336 | 68 | 180 | 8 | 140 | 600 | 5 | 51.7 | 49.0 | .090 |
| 1N3337 | 75 | 170 | 9 | 150 | 540 | 5 | 56.0 | 54.0 | .090 |
| 1N3338 | 82 | 150 | 11 | 160 | 490 | 5 | 62.2 | 59.0 | .090 |
| 1N3339 | 91 | 140 | 15 | 180 | 420 | 5 | 69.2 | 65.5 | .090 |
| 1N3340 | 100 | 120 | 20 | 200 | 400 | 5 | 76.0 | 72.0 | .090 |
| 1N3341 | 105 | 120 | 25 | 210 | 380 | 5 | 79.8 | 75.6 | .095 |
| 1N3342 | 110 | 110 | 30 | 220 | 365 | 5 | 83.6 | 79.2 | .095 |
| 1N3343 | 120 | 100 | 40 | 240 | 335 | 5 | 91.2 | 86.4 | .095 |
| 1N3344 | 130 | 95 | 50 | 275 | 310 | 5 | 98.8 | 93.6 | .095 |
| 1N3345 | 140 | 90 | 60 | 325 | 290 | 5 | 106.4 | 100.8 | .095 |
| 1N3346 | 150 | 85 | 75 | 400 | 270 | 5 | 114.0 | 108.0 | .095 |
| 1N3347 | 160 | 80 | 80 | 450 | 250 | 5 | 121.6 | 115.2 | .095 |
| 1N3348 | 175 | 70 | 85 | 500 | 230 | 5 | 133.0 | 126.0 | .095 |
| 1N3349 | 180 | 68 | 90 | 525 | 220 | 5 | 136.8 | 129.6 | .095 |
| 1N3350 | 200 | 65 | 100 | 600 | 200 | 5 | 152.0 | 144.0 | .100 |



SOLID · STATE INC.
Your TOTAL solutions source!

46 Farrand Street, Bloomfield, NJ 07003 • 800.631.2075
In NJ: 973.429.8700 • Fax: 973.429.8683 • www.solidstateinc.com